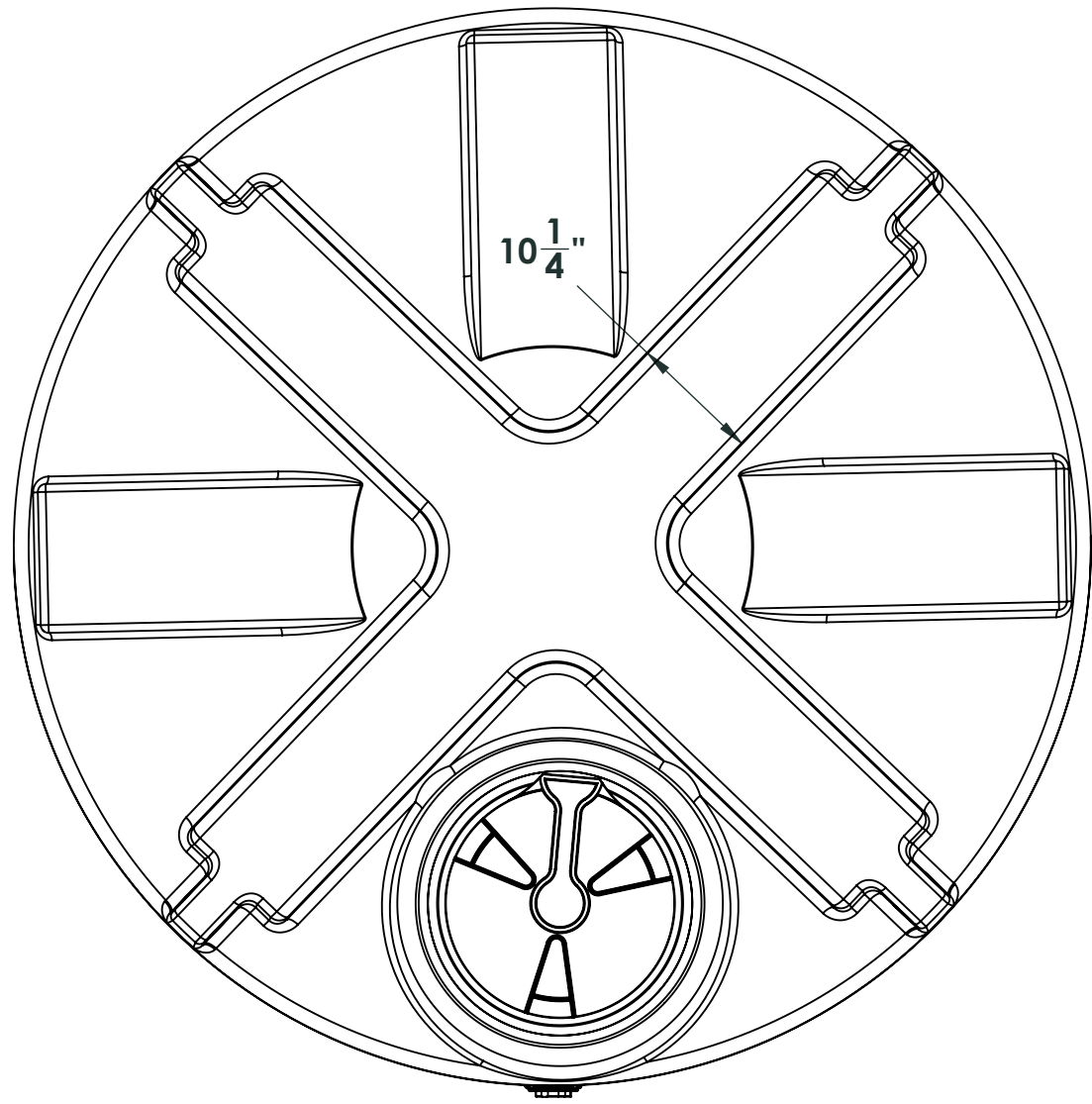


4

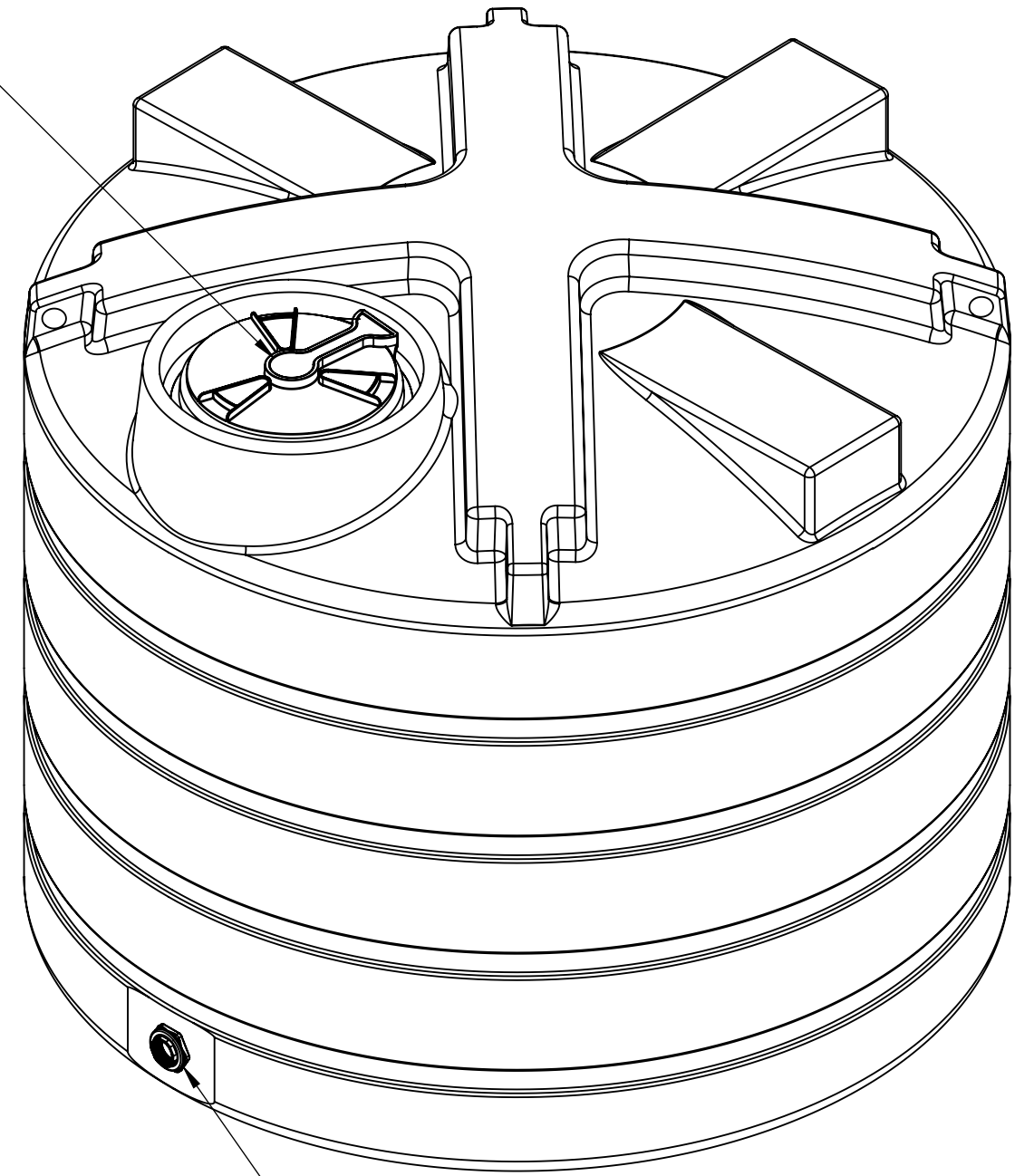
3

2

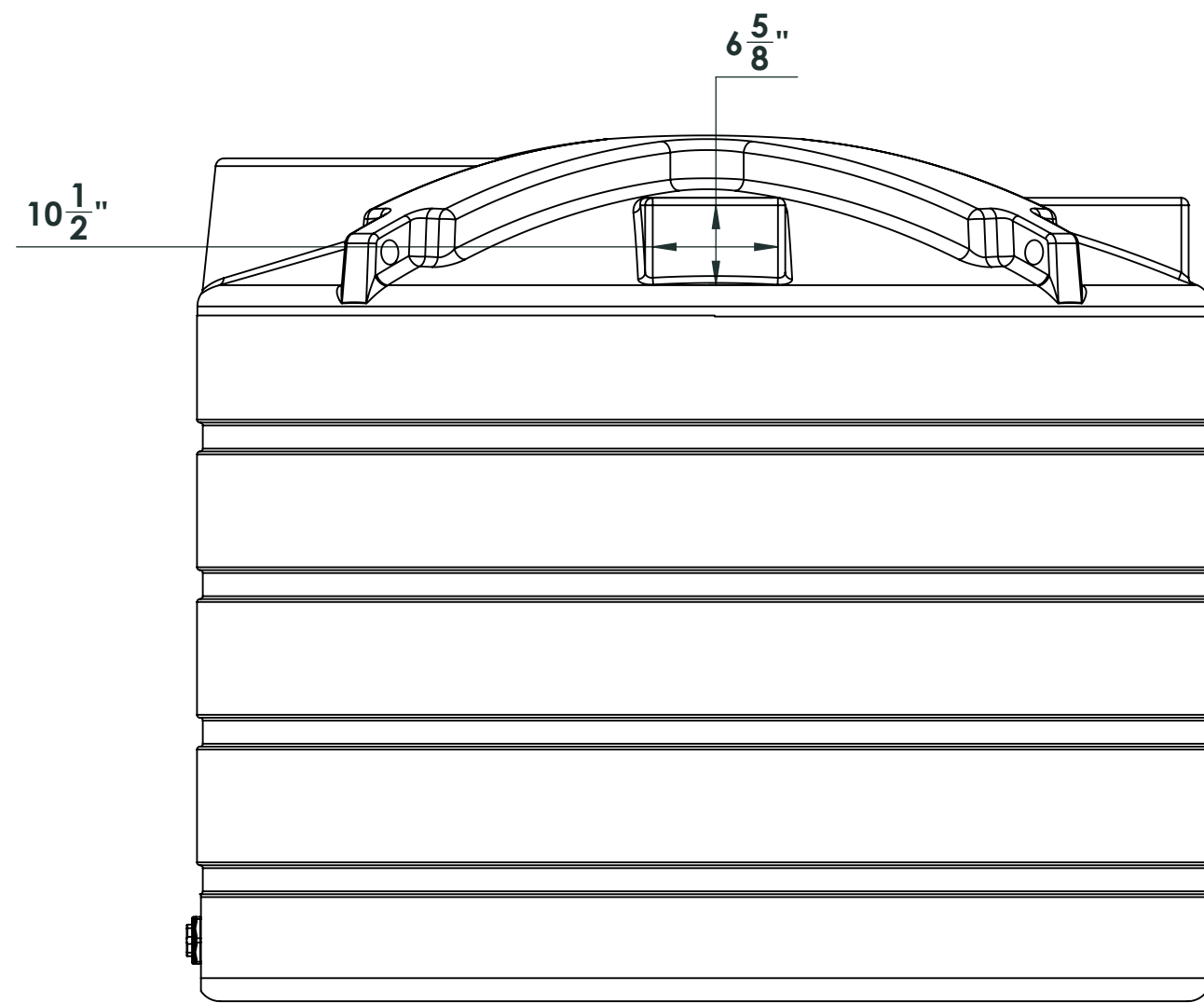
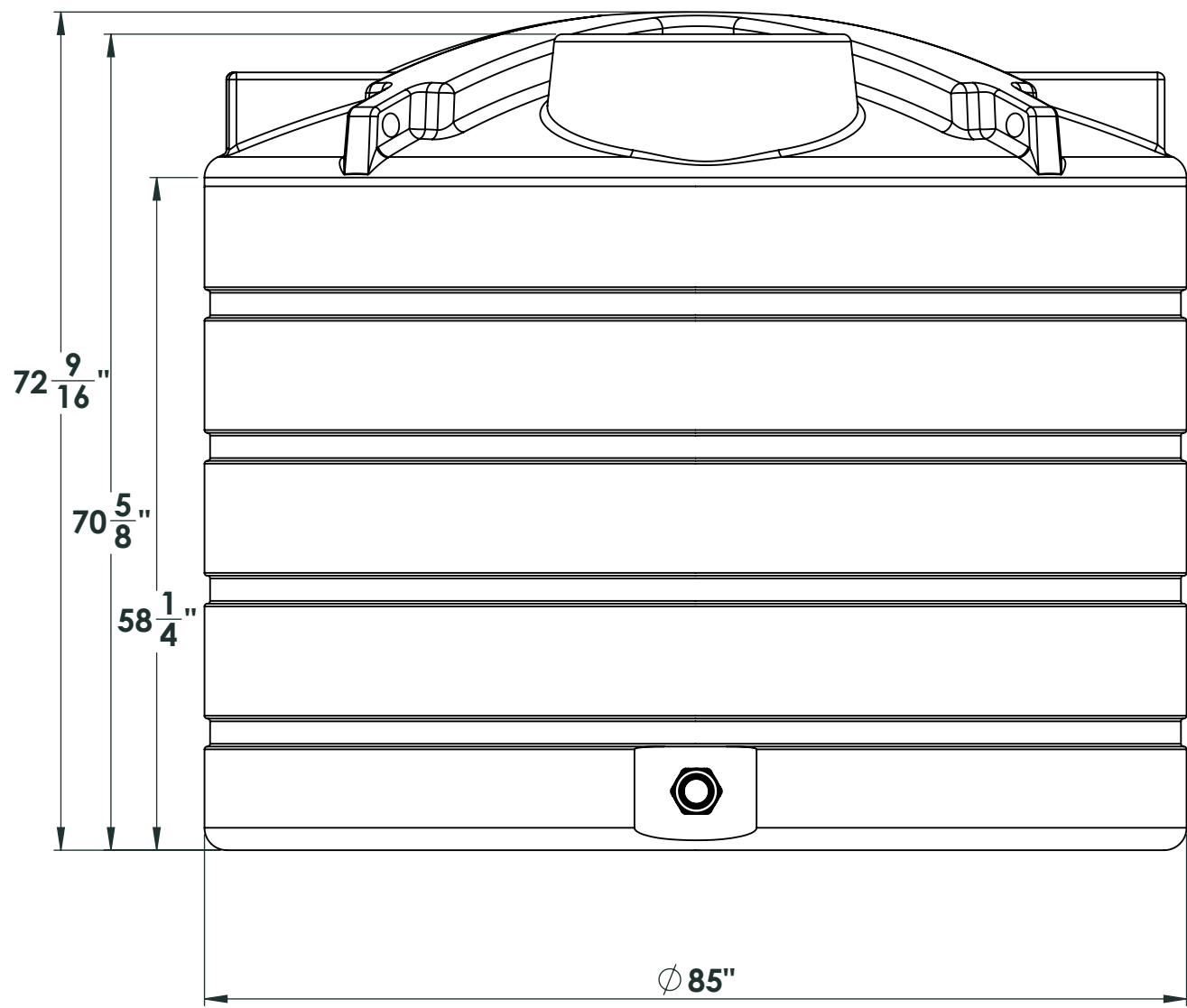
1



16 inch lid



2 inch threaded fitting



NOTE: Allow +/- 1.5% Shrinkage

PROPRIETARY AND CONFIDENTIAL
 THE INFORMATION CONTAINED IN THIS DRAWING IS THE SOLE PROPERTY OF ENDURAPLAS LLC. ANY REPRODUCTION IN PART OR AS A WHOLE WITHOUT THE WRITTEN PERMISSION OF ENDURAPLAS LLC IS PROHIBITED.

UNLESS OTHERWISE SPECIFIED:		NAME	DATE	ENDURAPLAS LLC
DIMENSIONS ARE IN INCHES		DRAWN	DNS	
TOLERANCES:		CHECKED		TITLE:
FRACTIONAL ±		ENG APPR.		THV01350
ANGULAR: MACH ± BEND ±		MFG APPR.		SIZE DWG. NO. REV
TWO PLACE DECIMAL ±		Q.A.		C 1
THREE PLACE DECIMAL ±		COMMENTS:		SCALE: 1:50 WEIGHT: SHEET 1 OF 1
INTERPRET GEOMETRIC TOLERANCING PER:	MATERIAL			
FINISH	DO NOT SCALE DRAWING			
NEXT ASSY	USED ON			
APPLICATION				