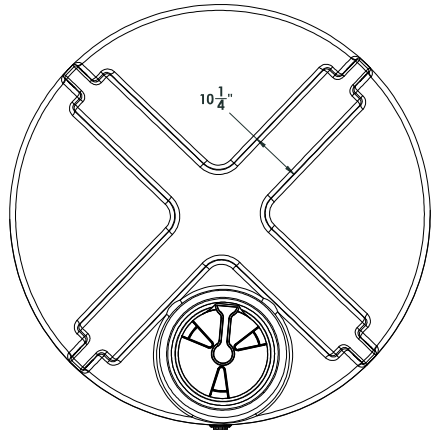


4

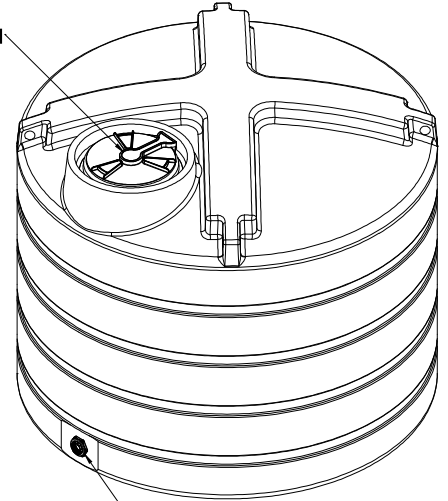
3

2

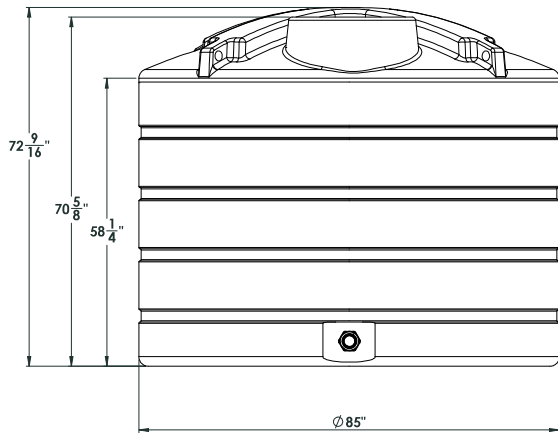
1



16 inch lid



2 inch threaded fitting



**NOTE: Allow +/- 1.5% Shrinkage**

**PROPRIETARY AND CONFIDENTIAL**  
 THE INFORMATION CONTAINED HEREIN IS THE  
 SOLE PROPERTY OF ENDURAPLAS, AND IS NOT TO BE  
 REPRODUCED OR TRANSMITTED IN ANY FORM OR BY  
 ANY MEANS, ELECTRONIC OR MECHANICAL, WITHOUT THE  
 WRITTEN PERMISSION OF ENDURAPLAS, LLC.

UNLESS OTHERWISE SPECIFIED:		DATE	ENDURAPLAS LLC
DEPT. QMS	APR. 11 INCHES	DRAWN	DATE
TOLERANCE		DWG.	10/31/16
FRAC. INCH		CHECKED	TITLE:
ANGULAR SURFACE	BB-10	ENG. APPR.	THV01350
TWO PLACE DECIMAL		MFG. APPR.	SIDE
THREE PLACE DECIMAL		Q.A.	C
		COMMENTS:	DWG. NO.
INTERPRET GEOMETRIC TOLERANCING PER:			REV
AS PER:			1
NEAT ASSY	USED CH		SCALE: 1:150
APPLICATION:	DO NOT SCALE DRAWING		WEIGHT:
			SHEET 1 OF 1

4

3

2

1