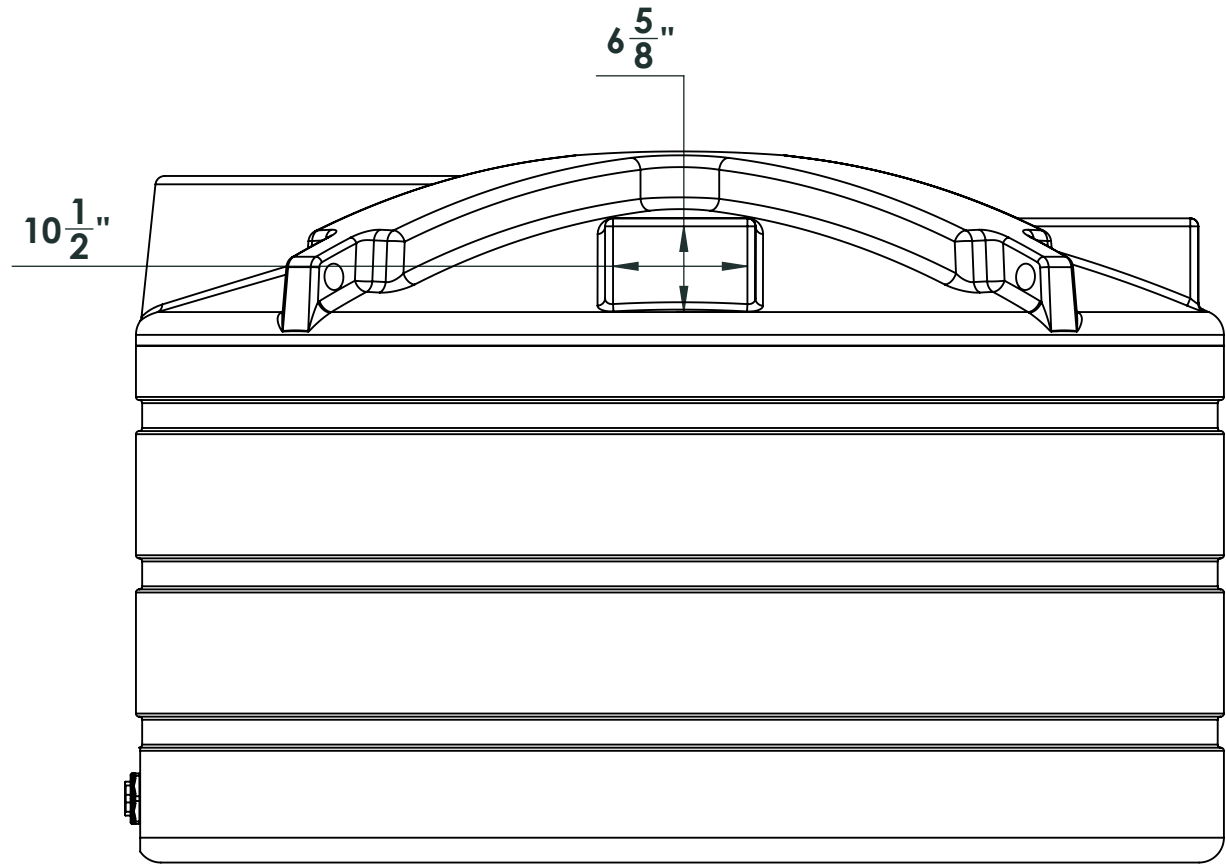
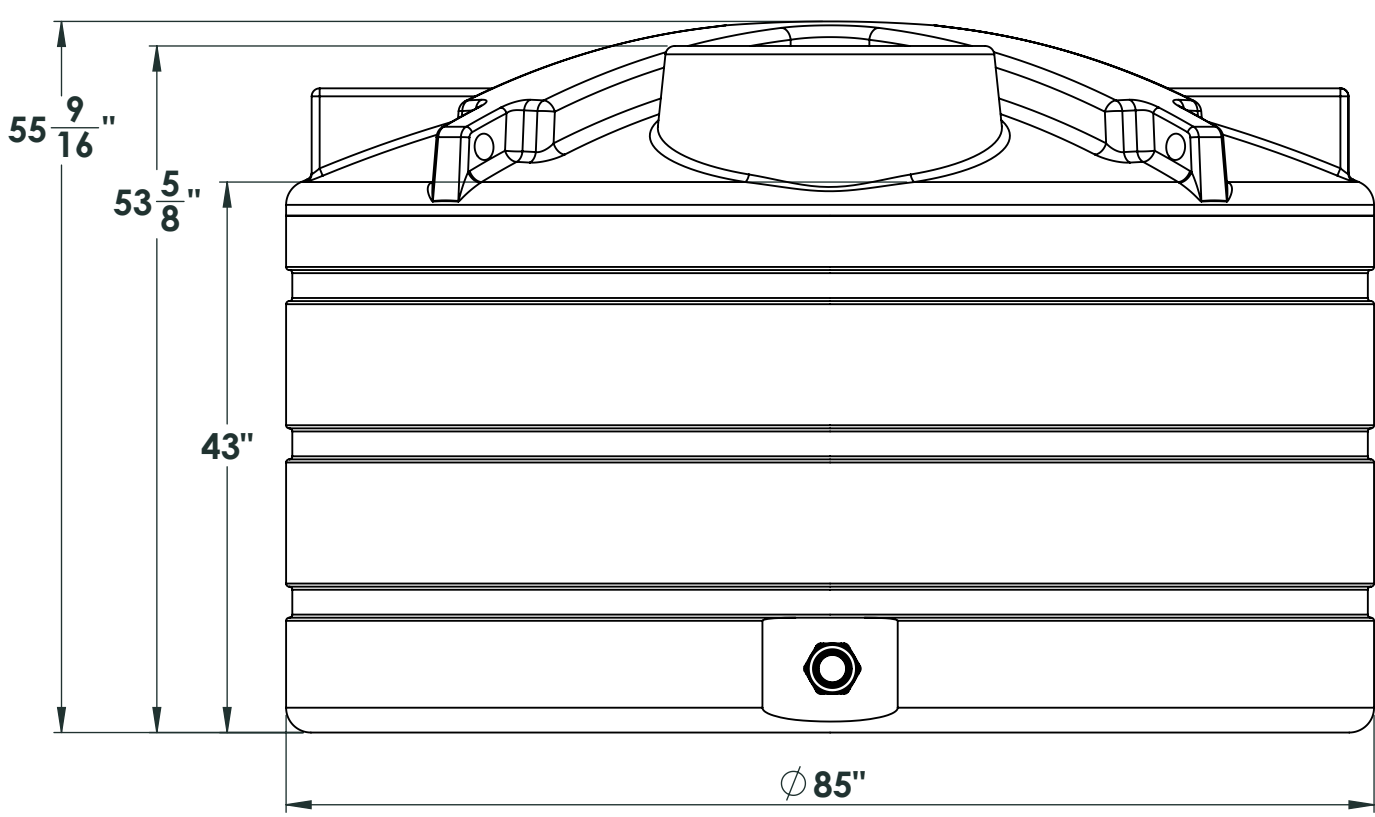
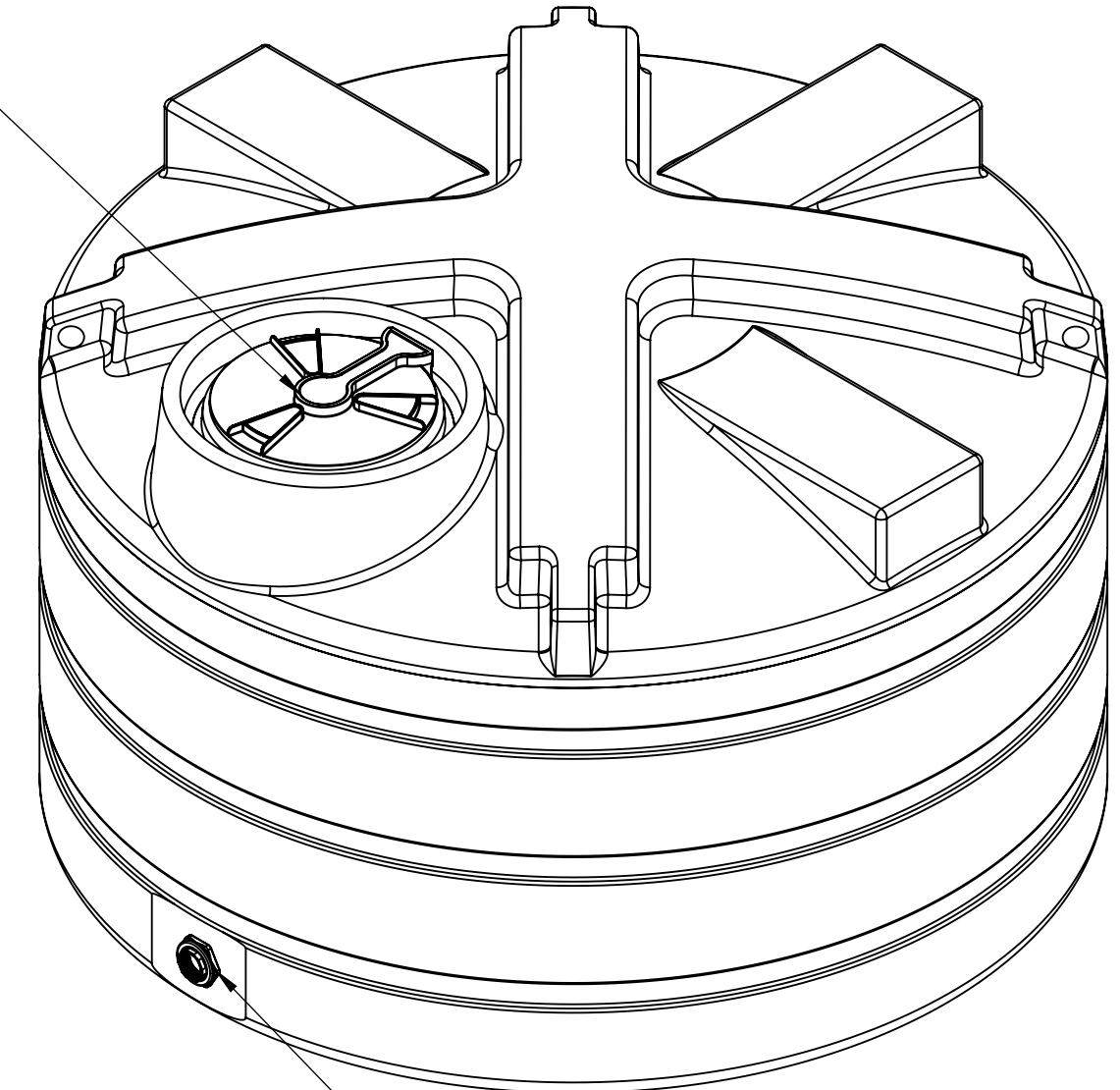


16 inch lid



**NOTE: Allow +/- 1.5% Shrinkage**

**PROPRIETARY AND CONFIDENTIAL**  
 THE INFORMATION CONTAINED IN THIS DRAWING IS THE SOLE PROPERTY OF **ENDURAPLAS LLC**. ANY REPRODUCTION IN PART OR AS A WHOLE WITHOUT THE WRITTEN PERMISSION OF **ENDURAPLAS LLC** IS PROHIBITED.

UNLESS OTHERWISE SPECIFIED:		NAME	DATE	<b>ENDURAPLAS LLC</b> TITLE: <b>THV01125</b> SIZE DWG. NO. REV <b>C</b> <b>1</b> SCALE: 1:50 WEIGHT: SHEET 1 OF 1		
DIMENSIONS ARE IN INCHES		DRAWN	DNS			10/31/16
TOLERANCES:		CHECKED				
FRACTIONAL ±		ENG APPR.				
ANGULAR: MACH ±		MFG APPR.				
TWO PLACE DECIMAL ±		Q.A.				
THREE PLACE DECIMAL ±		COMMENTS:				
NEXT ASSY	USED ON	FINISH				
APPLICATION		DO NOT SCALE DRAWING				