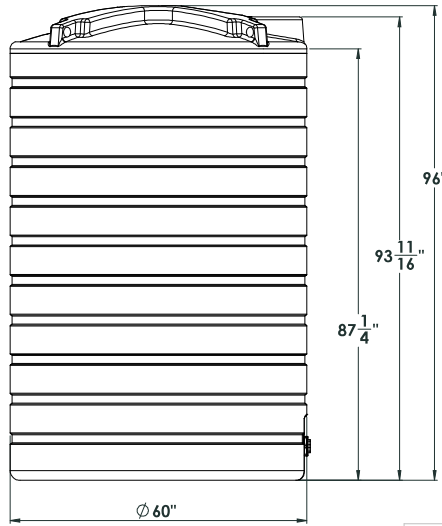
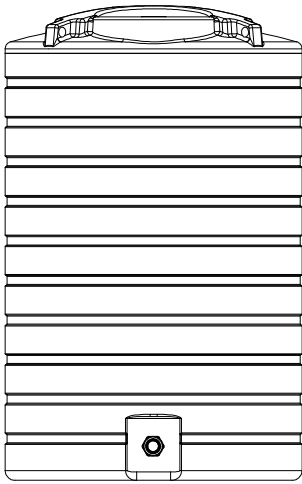
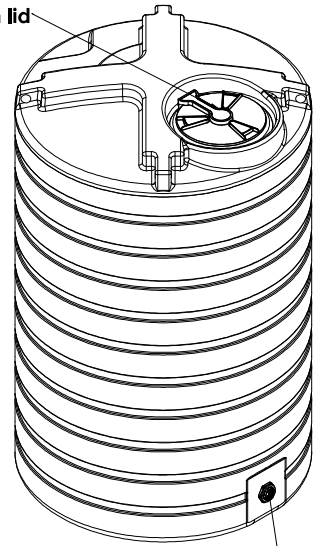
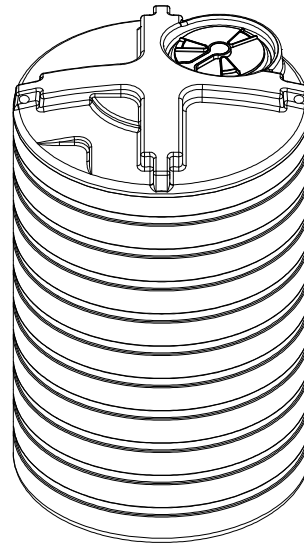
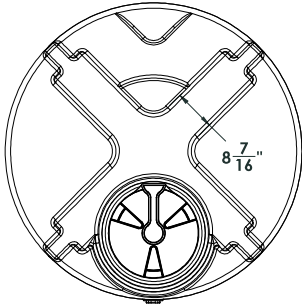


4

3

2

1



NOTE: Allow +/- 1.5% Shrinkage

PROPRIETARY AND CONFIDENTIAL
 THE INFORMATION CONTAINED HEREIN IS THE
 SOLE PROPERTY OF
 ENDURAPLAS LLC AND IS NOT TO BE
 REPRODUCED OR TRANSMITTED IN ANY FORM OR BY
 ANY MEANS, ELECTRONIC OR MECHANICAL, WITHOUT
 THE WRITTEN PERMISSION OF ENDURAPLAS LLC

UNLESS OTHERWISE SPECIFIED:		DATE
DEPT. QMS	10/31/16	
DESIGNED BY		
DRAWN BY		
CHECKED BY		
APPROVED BY		
DATE		
REV		
DATE		
REV		
DATE		
REV		

ENDURAPLAS LLC	
TITLE:	THV01100
SIDE:	C
DWG. NO.:	1
SCALE:	1:20 WEIGHT:
SHEET:	1 OF 1

4

3

2

1