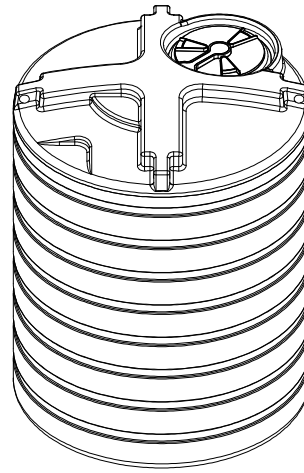
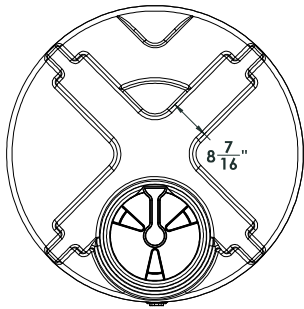


4

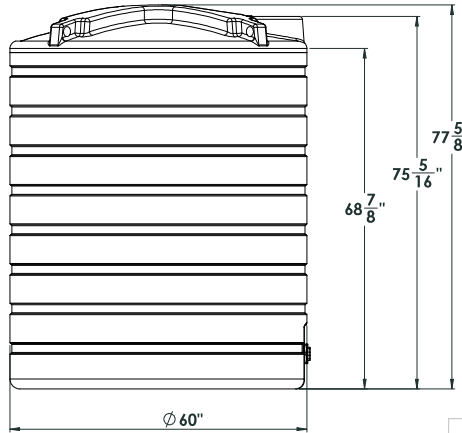
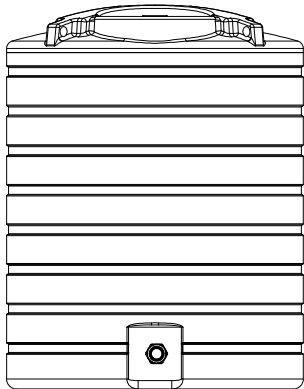
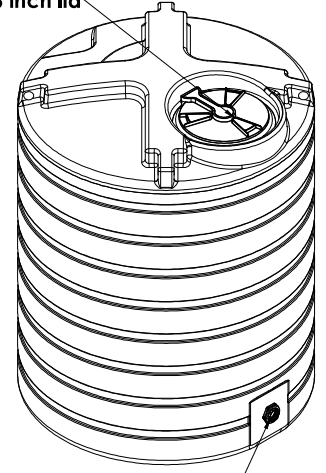
3

2

1



16 inch lid



NOTE: Allow +/- 1.5% Shrinkage

PROPRIETARY AND CONFIDENTIAL
 THE INFORMATION CONTAINED HEREIN IS THE
 EXCLUSIVE PROPERTY OF
 ENDURAPLAS, AND NO PORTION MAY
 BE REPRODUCED OR TRANSMITTED IN ANY
 FORM OR BY ANY MEANS WITHOUT THE
 WRITTEN PERMISSION OF ENDURAPLAS LLC
 © 2016

UNLESS OTHERWISE SPECIFIED:	DRAWN	DATE
DETAILED DIMENSIONS ARE IN INCHES	DWG	10/31/16
TOLERANCES:	CHECKED	
FRAC TION S	ENG APPR	
ANGULAR S	MFG APPR	
TWO PLACE DECIMAL	Q.A.	
THREE PLACE DECIMAL	COMMENTS:	
	INTERPRET:	
	TOLERANCING PER:	
	WARRANTY:	
	REVISION:	
NEXT ASSY	USED ON	
APPLICATION:	DO NOT SCALE DRAWING	

ENDURAPLAS LLC

TITLE:
THV00870

SIDE	DWG. NO.	REV
C		1
SCALE: 1:20	WEIGHT:	SHEET 1 OF 1

4

3

2

1