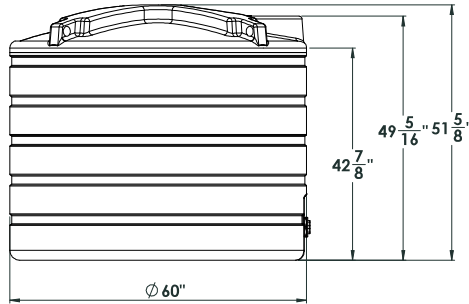
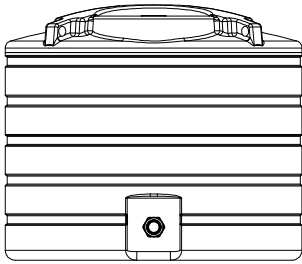
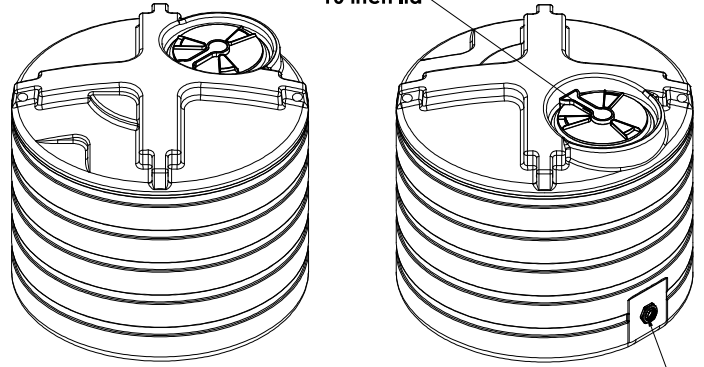
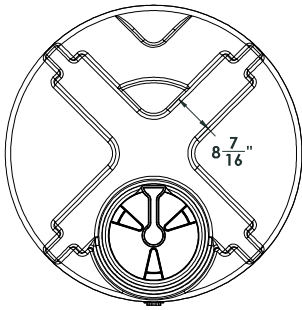


4

3

2

1



NOTE: Allow +/- 1.5% Shrinkage

PROPRIETARY AND CONFIDENTIAL
 THE INFORMATION CONTAINED HEREIN IS THE
 SOLE PROPERTY OF
 ENDURAPLAS, INC. ANY REPRODUCTION,
 DISTRIBUTION OR DISSEMINATION OF THIS
 INFORMATION WITHOUT THE WRITTEN PERMISSION OF ENDURAPLAS, INC.
 IS PROHIBITED.

UNLESS OTHERWISE SPECIFIED:		NAME	DATE
DIMENSIONS: ALL IN INCHES	DRAWN	DNS	10/31/16
TOLERANCES:	CHECKED		
FRACTIONS: 1/16	ENG. APPR.		
DECIMALS: 0.0005	MFG. APPR.		
ANGLES: MINUS .0005	Q.A.		
THREADS: PER ASME Y14.5	COMMENTS:		
FINISHES: AS NOTED			
TEXT: 1/8" MIN.			
NEAT ASSY	USED CH		
APPLICATION:	DO NOT SCALE DRAWING		

ENDURAPLAS LLC

TITLE:
THV00550

SIDE	DWG. NO.	REV
C		1
SCALE: 1:20	WEIGHT:	SHEET 1 OF 1

4

3

2

1