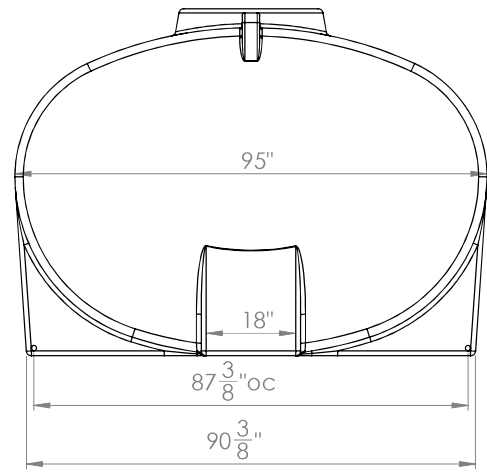


8 7 6 5 4 3 2 1

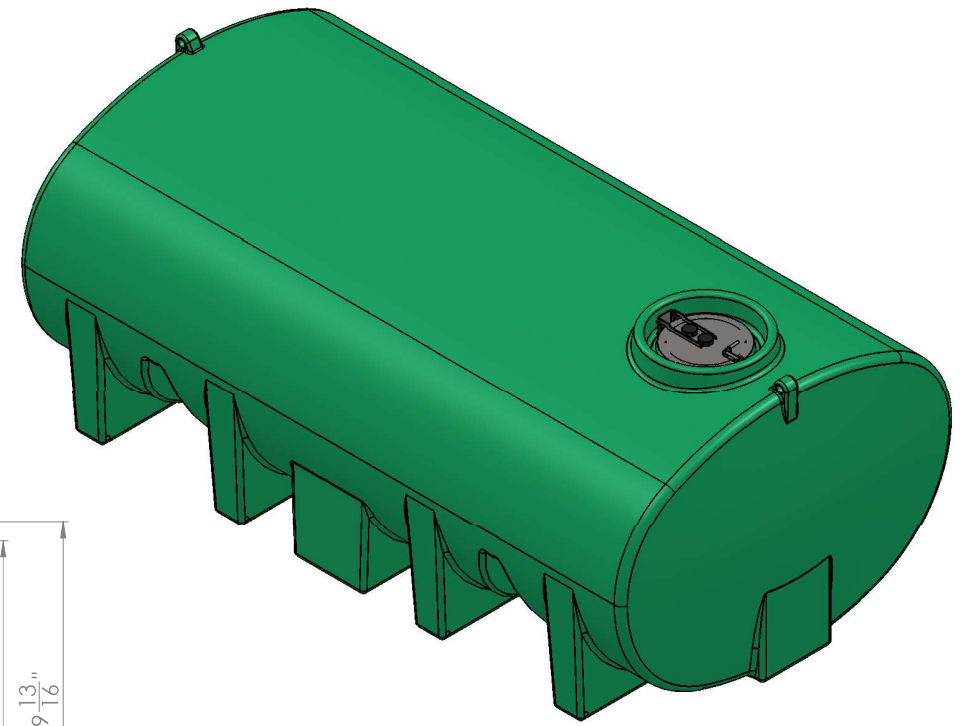
D

D



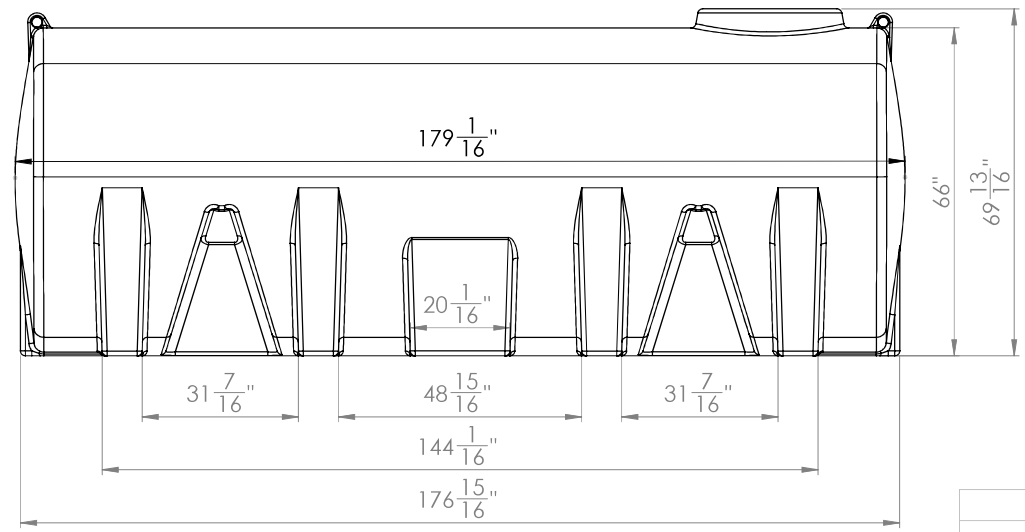
C

C



B

B



A

A

**PROPRIETARY AND CONFIDENTIAL**  
 THE INFORMATION CONTAINED IN THIS DRAWING IS THE SOLE PROPERTY OF Aglimaxx Enduraplas. ANY REPRODUCTION IN PART OR AS A WHOLE WITHOUT THE WRITTEN PERMISSION OF Aglimaxx Enduraplas IS PROHIBITED.

		UNLESS OTHERWISE SPECIFIED:		NAME	DATE	<h2 style="text-align: center;">Enduraplas</h2> <p style="text-align: center;">TITLE: <b>ST3500FS</b></p>		
		DIMENSIONS ARE IN INCHES		DRAWN	DNS			9/9/11
		TOLERANCES:		CHECKED				
		FRACTIONAL ±		ENG APPR.				
		ANGULAR: MACH ± BEND ±		MFG APPR.				
		TWO PLACE DECIMAL ±		Q.A.				
		THREE PLACE DECIMAL ±		COMMENTS:				
		INTERPRET GEOMETRIC TOLERANCING PER:						
		MATERIAL						
		FINISH						
NEXT ASSY	USED ON					SIZE <b>B</b> DWG. NO. <b>1</b>		
APPLICATION		DO NOT SCALE DRAWING				SCALE: 1:50 WEIGHT: SHEET 1 OF 1		

8 7 6 5 4 3 2 1