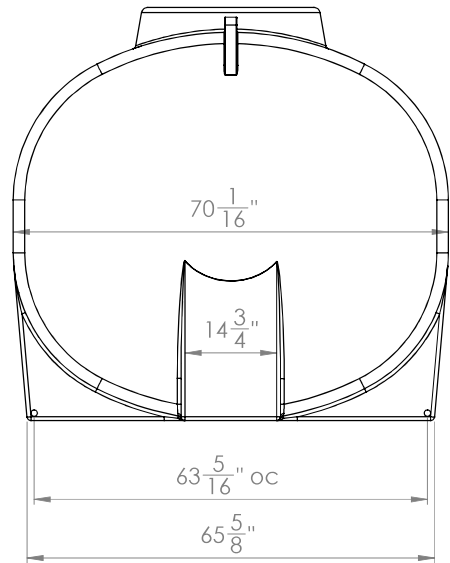


8 7 6 5 4 3 2 1

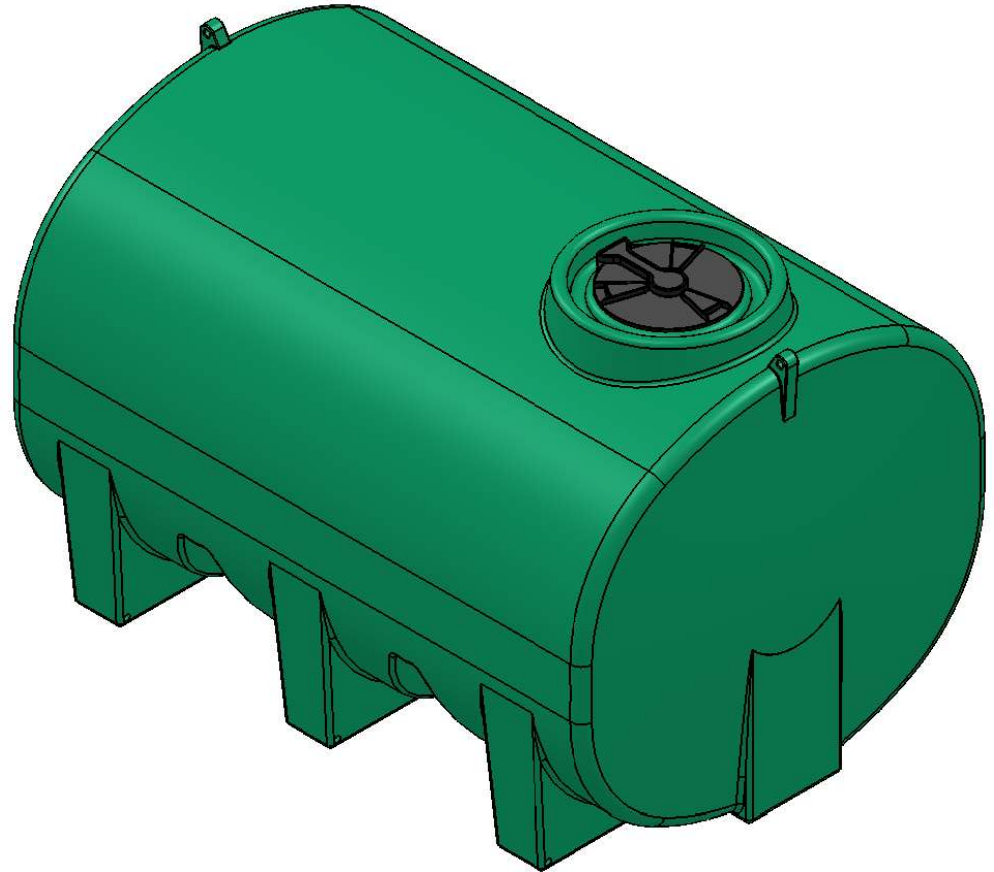
D

D



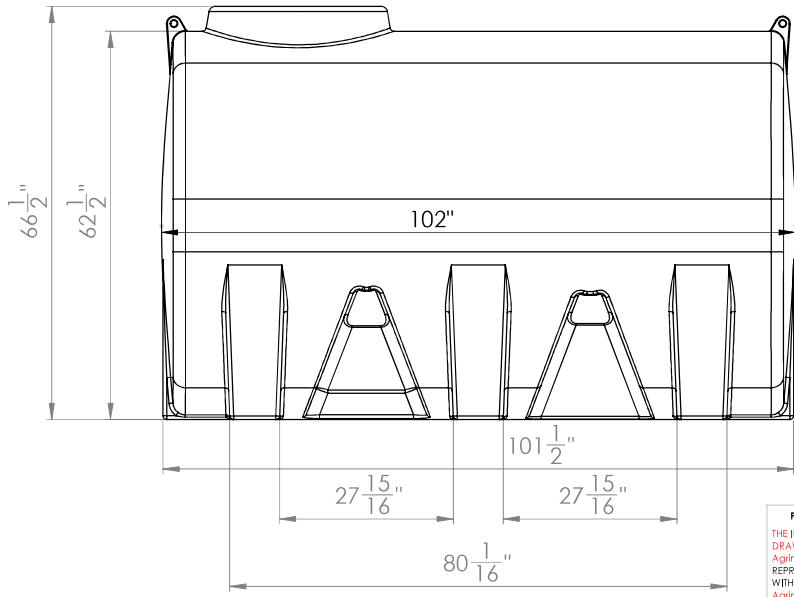
C

C



B

B



A

A

8 7 6 5 4 3 2 1

PROPRIETARY AND CONFIDENTIAL
 THE INFORMATION CONTAINED IN THIS
 DRAWING IS THE SOLE PROPERTY OF
 Aglimaxx, Enduraplas. ANY
 REPRODUCTION IN PART OR AS A WHOLE
 WITHOUT THE WRITTEN PERMISSION OF
 Aglimaxx, Enduraplas, IS PROHIBITED.

		UNLESS OTHERWISE SPECIFIED:		NAME	DATE	<h2 style="text-align: center;">Enduraplas</h2> <p>TITLE:</p> <table border="1" style="width: 100%;"> <tr> <td>SIZE</td> <td>DWG. NO.</td> <td>REV</td> </tr> <tr> <td>B</td> <td>ST1400FS</td> <td>1</td> </tr> </table>	SIZE	DWG. NO.	REV	B	ST1400FS	1
SIZE	DWG. NO.	REV										
B	ST1400FS	1										
		DIMENSIONS ARE IN INCHES		DRAWN	DNS							
		TOLERANCES:		CHECKED								
		FRACTIONAL ±		ENG APPR.								
		ANGULAR: MACH ± BEND ±		MFG APPR.								
		TWO PLACE DECIMAL ±		Q.A.								
		THREE PLACE DECIMAL ±		COMMENTS:								
		INTERPRET GEOMETRIC TOLERANCING PER:										
		MATERIAL										
		FINISH										
NEXT ASSY	USED ON											
APPLICATION		DO NOT SCALE DRAWING										

SCALE: 1:50 WEIGHT: SHEET 1 OF 1