

8 7 6 5 4 3 2 1

D

C

B

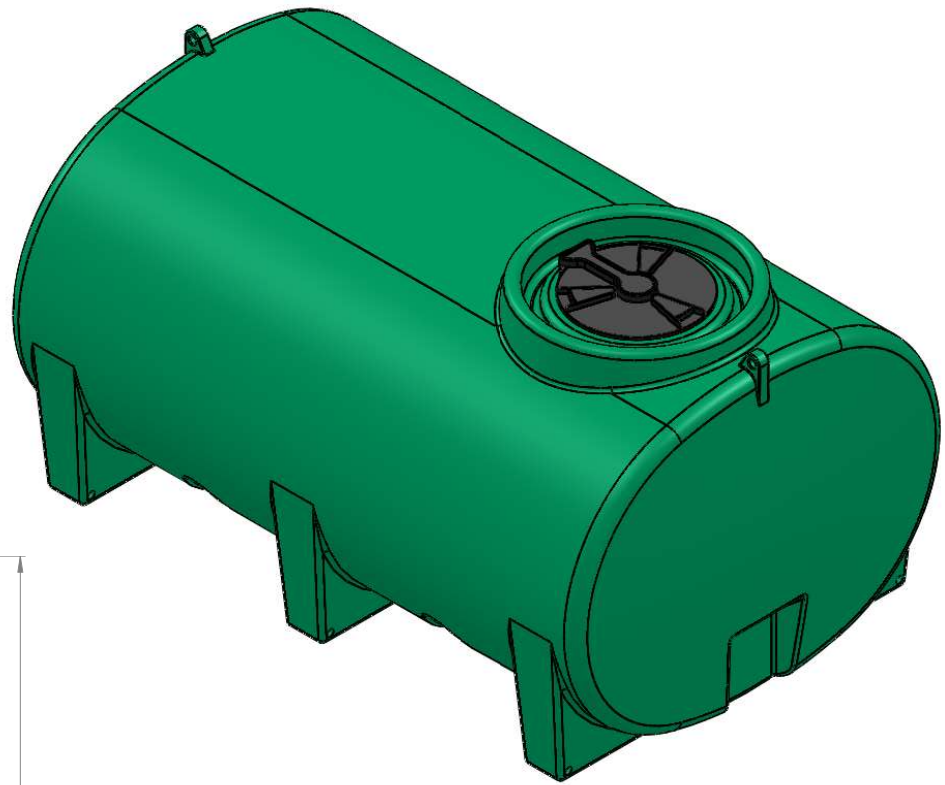
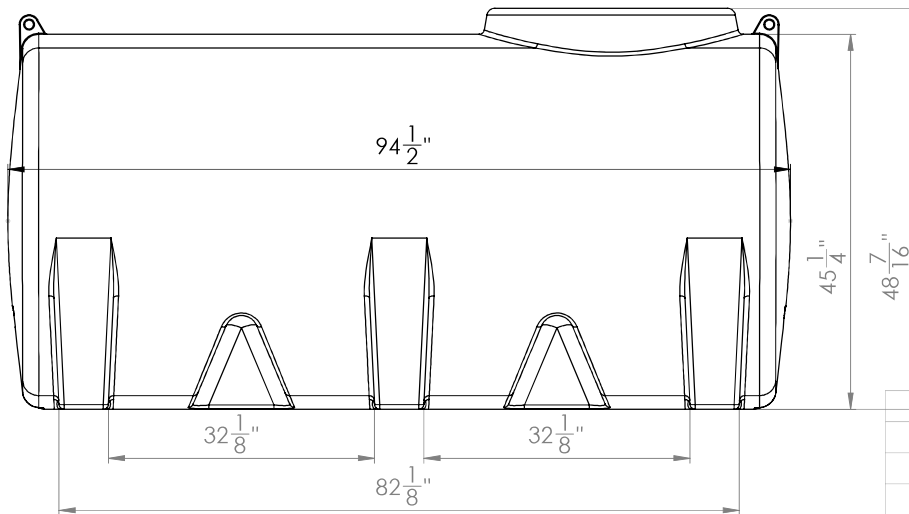
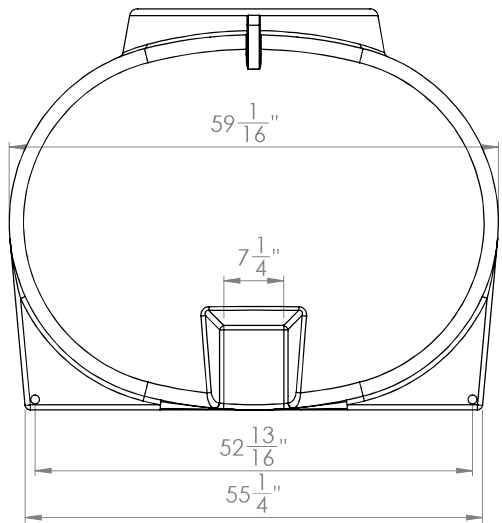
A

D

C

B

A



**PROPRIETARY AND CONFIDENTIAL**  
 THE INFORMATION CONTAINED IN THIS DRAWING IS THE SOLE PROPERTY OF Aglimaxx, Enduraplas. ANY REPRODUCTION IN PART OR AS A WHOLE WITHOUT THE WRITTEN PERMISSION OF Aglimaxx, Enduraplas, IS PROHIBITED.

		UNLESS OTHERWISE SPECIFIED:		NAME	DATE	<h1>Enduraplas</h1> <p>TITLE:</p> <h2>ST800FS</h2>	
		DIMENSIONS ARE IN INCHES		DRAWN	DNS		9/9/11
		TOLERANCES:		CHECKED			
		FRACTIONAL ±		ENG APPR.			
		ANGULAR: MACH ± BEND ±		MFG APPR.			
		TWO PLACE DECIMAL ±		Q.A.			
		THREE PLACE DECIMAL ±		COMMENTS:			
		INTERPRET GEOMETRIC TOLERANCING PER:					
		MATERIAL					
		FINISH					
NEXT ASSY	USED ON					SIZE <b>B</b> DWG. NO. <b>1</b> REV <b>1</b>	
APPLICATION		DO NOT SCALE DRAWING				SCALE: 1:20 WEIGHT: SHEET 1 OF 1	

8 7 6 5 4 3 2 1