

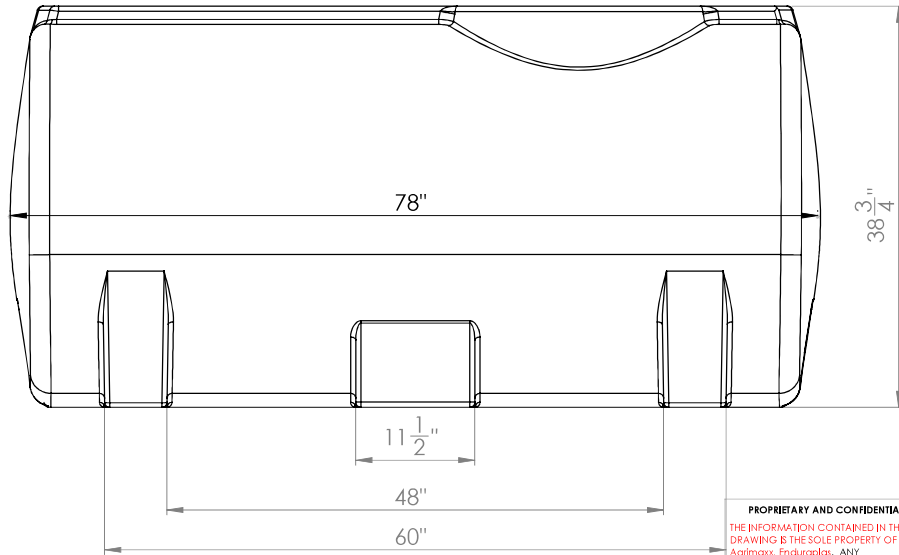
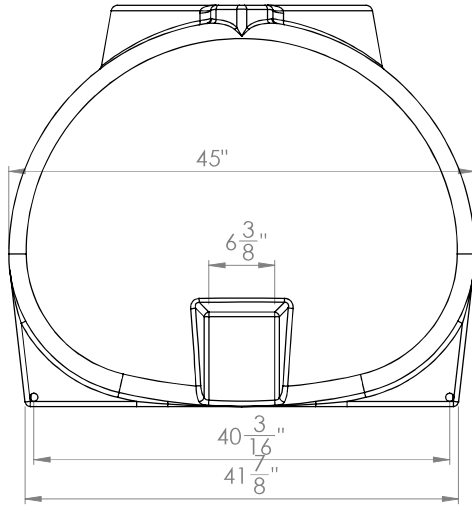
8 7 6 5 4 3 2 1

D

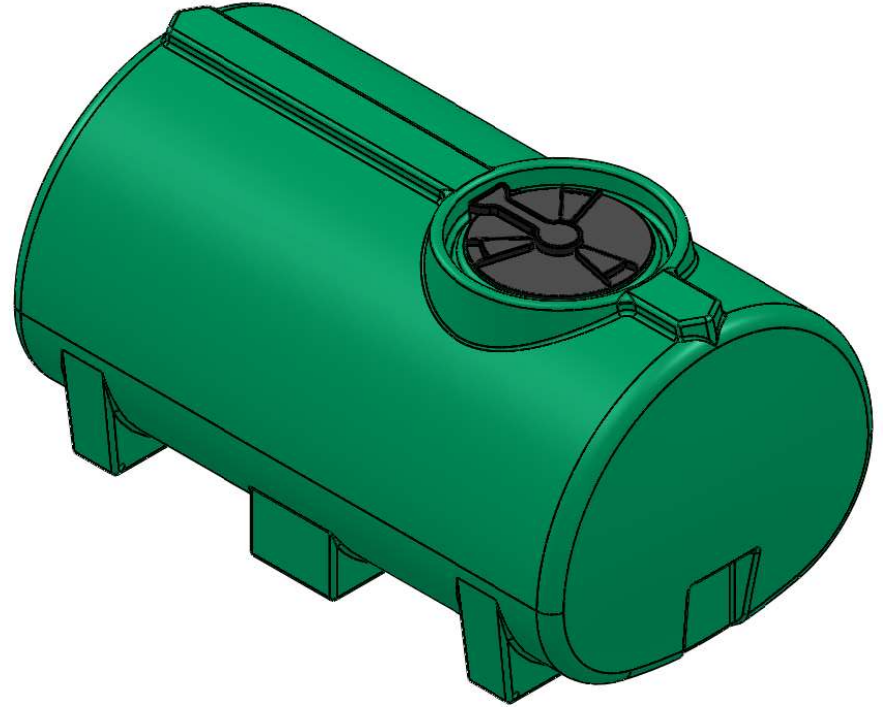
C

B

A



**PROPRIETARY AND CONFIDENTIAL**  
 THE INFORMATION CONTAINED IN THIS  
 DRAWING IS THE SOLE PROPERTY OF  
 AgriMaxx, Enduraplas. ANY  
 REPRODUCTION IN PART OR AS A WHOLE  
 WITHOUT THE WRITTEN PERMISSION OF  
 AgriMaxx, Enduraplas, IS PROHIBITED.



D

C

B

A

8 7 6 5 4 3 2 1

		UNLESS OTHERWISE SPECIFIED:		NAME	DATE	<h1>Enduraplas</h1>	
		DIMENSIONS ARE IN INCHES		DRAWN	DNS		9/9/11
		TOLERANCES:		CHECKED			
		FRACTIONAL ±		ENG APPR.			
		ANGULAR: MACH ± BEND ±		MFG APPR.			
		TWO PLACE DECIMAL ±		Q.A.			
		THREE PLACE DECIMAL ±		COMMENTS:			
		INTERPRET GEOMETRIC TOLERANCING PER:					
		MATERIAL					
		FINISH					
NEXT ASSY	USED ON						
APPLICATION		DO NOT SCALE DRAWING					
						TITLE: <h2>ST400FS</h2>	
SIZE	DWG. NO.			REV			
<b>B</b>				<b>1</b>			
SCALE: 1:20		WEIGHT:		SHEET 1 OF 1			