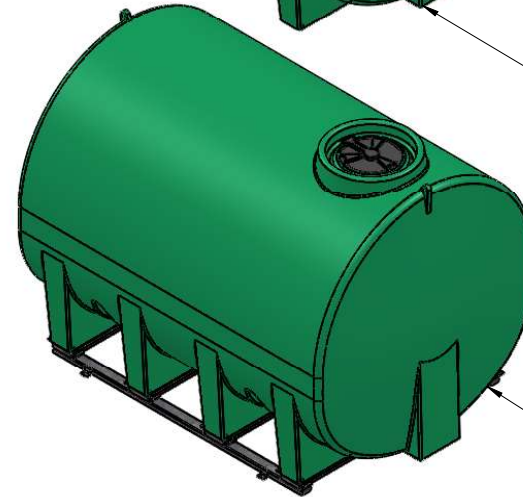
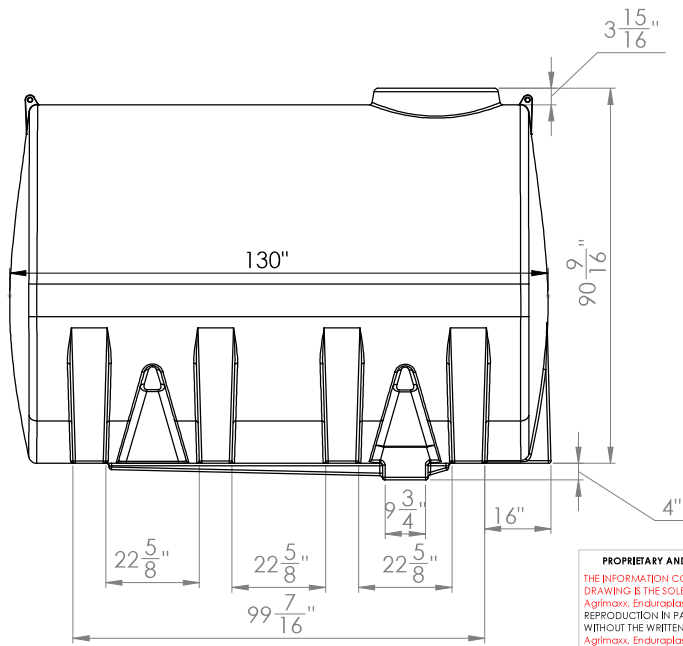


ST3000LP



ST3000LS

PROPRIETARY AND CONFIDENTIAL
 THE INFORMATION CONTAINED IN THIS DRAWING IS THE SOLE PROPERTY OF AgriMaxx, Enduraplas. ANY REPRODUCTION IN PART OR AS A WHOLE WITHOUT THE WRITTEN PERMISSION OF AgriMaxx, Enduraplas, IS PROHIBITED.

| | | | | | | | | |
|-------------|---------|--------------------------------------|--|-----------|------|--|--|---------|
| | | UNLESS OTHERWISE SPECIFIED: | | NAME | DATE | Enduraplas TITLE: ST3000LP SIZE DWG. NO. REV B 1 SCALE: 1:50 WEIGHT: SHEET 1 OF 1 | | |
| | | DIMENSIONS ARE IN INCHES | | DRAWN | DNS | | | 9/13/11 |
| | | TOLERANCES: | | CHECKED | | | | |
| | | FRACTIONAL ± | | ENG APPR. | | | | |
| | | ANGULAR: MACH ± BEND ± | | MFG APPR. | | | | |
| | | TWO PLACE DECIMAL ± | | Q.A. | | | | |
| | | THREE PLACE DECIMAL ± | | COMMENTS: | | | | |
| | | INTERPRET GEOMETRIC TOLERANCING PER: | | | | | | |
| | | MATERIAL | | | | | | |
| | | FINISH | | | | | | |
| NEXT ASSY | USED ON | | | | | | | |
| APPLICATION | | DO NOT SCALE DRAWING | | | | | | |