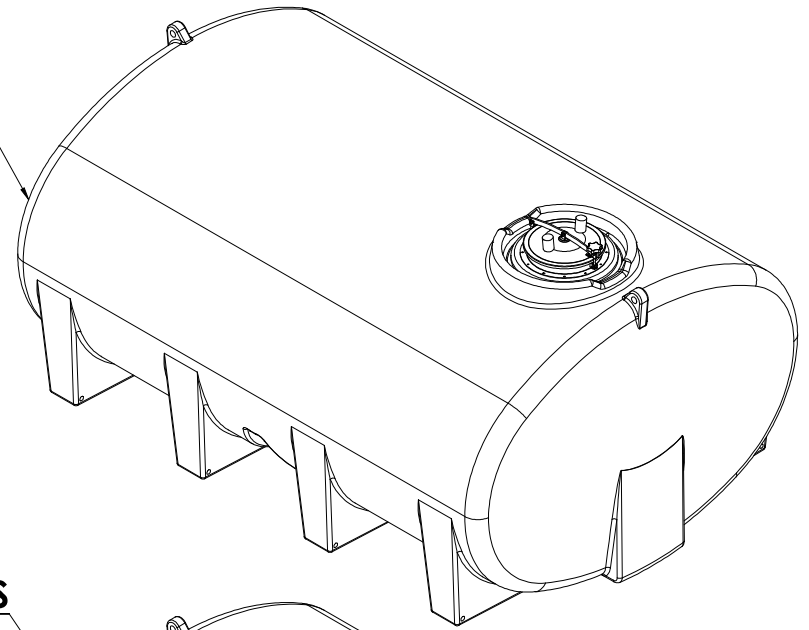
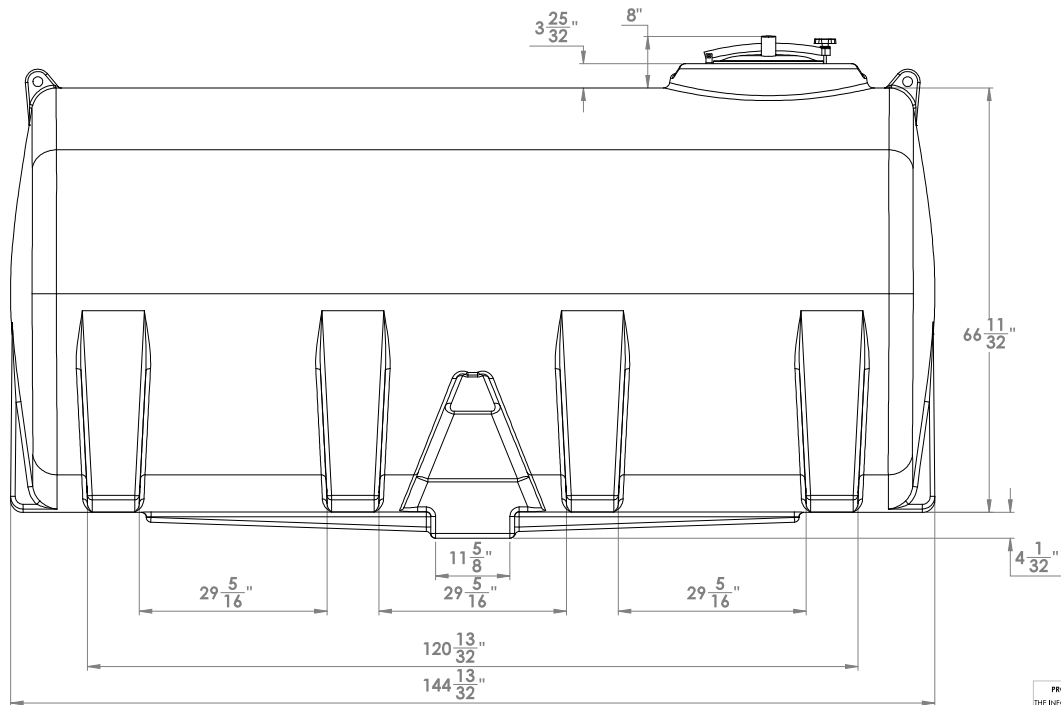
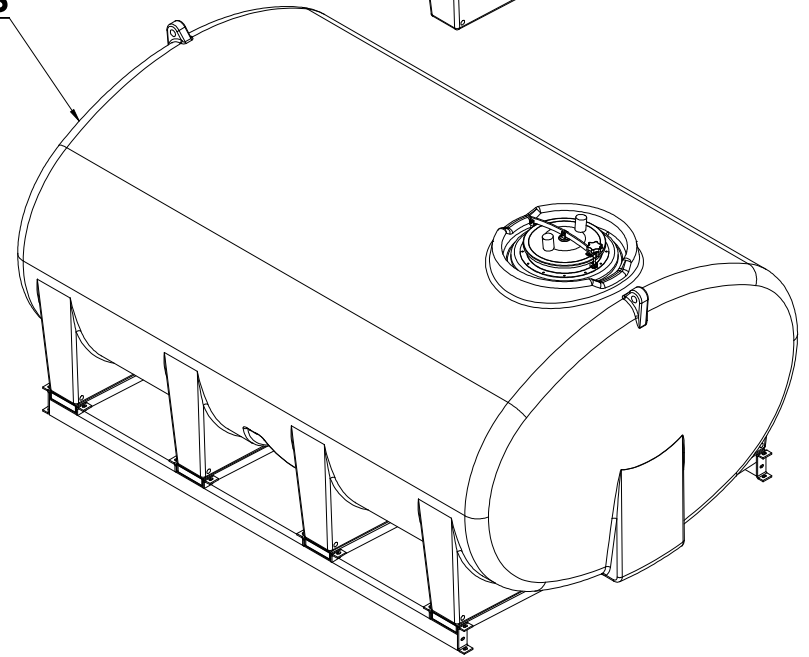


ST2800LP



ST2800LS



NOTE: ALLOW +/- 1.5% SHRINKAGE

PROPRIETARY AND CONFIDENTIAL
THE INFORMATION CONTAINED IN THIS
DRAWING IS THE SOLE PROPERTY OF
ENDURAPLAS LLC. ANY
REPRODUCTION IN PART OR AS A WHOLE
WITHOUT THE WRITTEN PERMISSION OF
ENDURAPLAS LLC IS PROHIBITED.

		UNLESS OTHERWISE SPECIFIED:	NAME	DATE	ENDURAPLAS LLC	
		DIMENSIONS ARE IN INCHES	DRAWN	DNS	5/14/13	TITLE:
		TOLERANCES:	CHECKED			ST2800LP
		FRACTIONAL: ±	ENG APPR.			SIZE DWG. NO.
		ANGULAR: MACH ± BEND ±	MFG APPR.			C
		TWO PLACE DECIMAL ±	Q.A.			REV
		THREE PLACE DECIMAL ±	COMMENTS:			1
		INTERPRET GEOMETRIC TOLERANCING PER:				SCALE: 1:50 WEIGHT:
		MATERIAL				SHEET 1 OF 1
	NEXT ASSY	USED ON	FINISH			
	APPLICATION		DO NOT SCALE DRAWING			