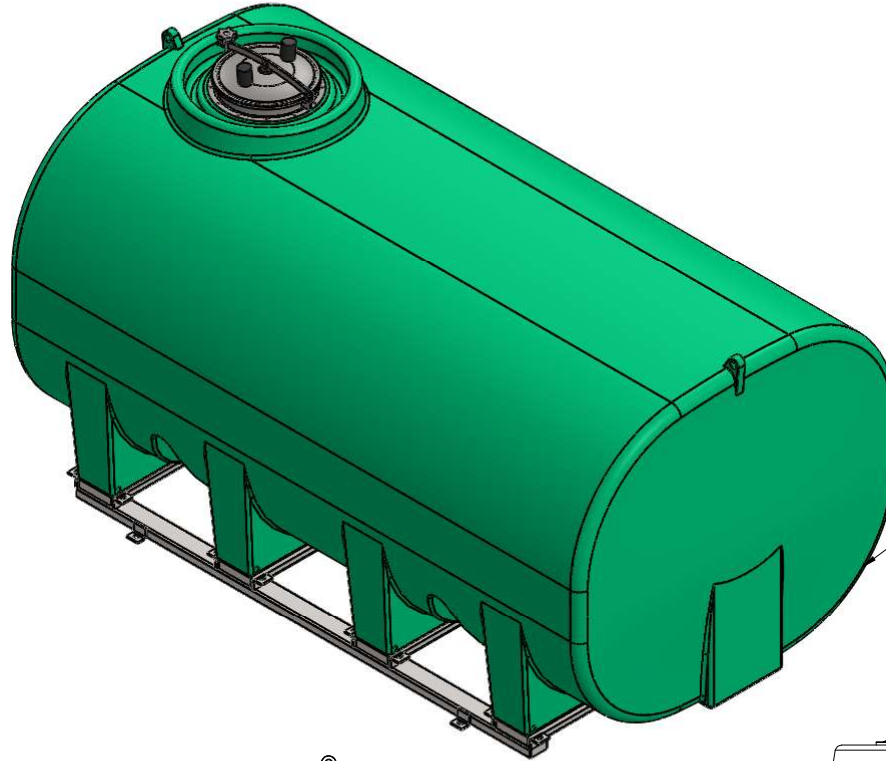
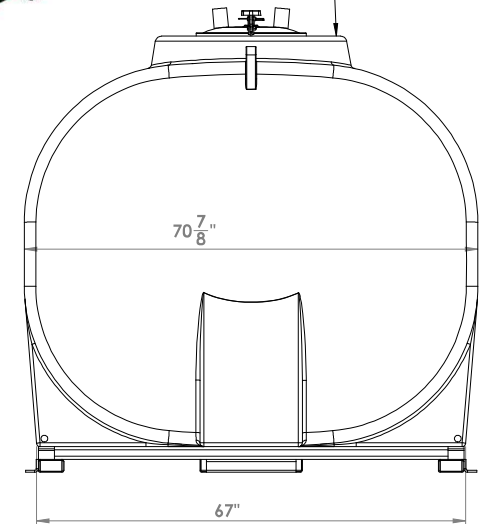
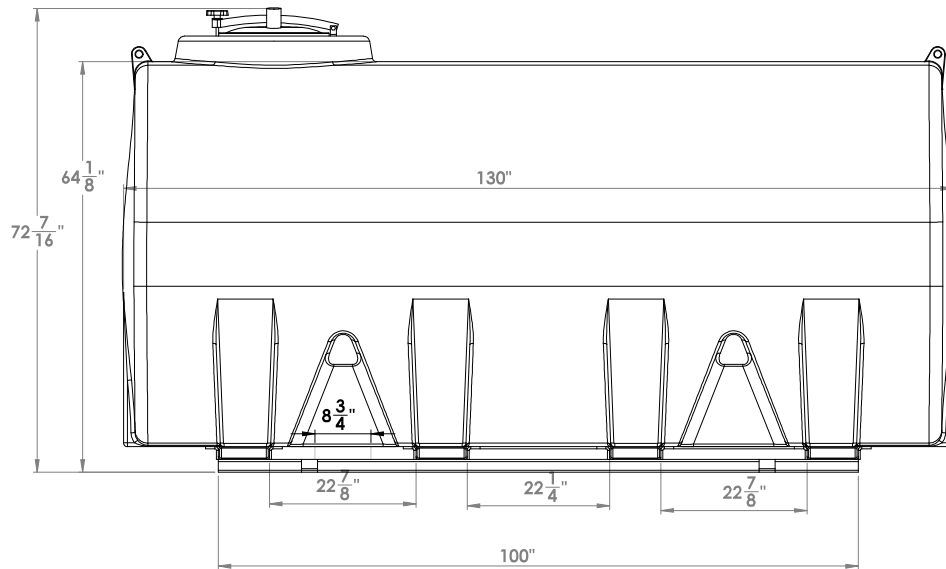


NOTE: ALLOW +/- 1.5% SHRINKAGE



ST1900LS



PROPRIETARY AND CONFIDENTIAL
 THE INFORMATION CONTAINED IN THIS
 DRAWING IS THE SOLE PROPERTY OF
 ENDURAPLAS LLC. ANY
 REPRODUCTION IN PART OR AS A WHOLE
 WITHOUT THE WRITTEN PERMISSION OF
 ENDURAPLAS LLC IS PROHIBITED.

		UNLESS OTHERWISE SPECIFIED:	DRAWN	NAME	DATE
		DIMENSIONS ARE IN INCHES		DNS	
		TOLERANCES:	CHECKED		
		FRACTIONAL ±	ENG APPR.		
		ANGULAR: MACH ± BEND ±	MFG APPR.		
		TWO PLACE DECIMAL ±			
		THREE PLACE DECIMAL ±			
		INTERPRET GEOMETRIC TOLERANCING PER:	O.A. COMMENTS:		
		MATERIAL			
		FINISH			
NEXT ASSY	USED ON	APPLICATION			
		DO NOT SCALE DRAWING			

ENDURAPLAS LLC		
TITLE:		
ST1900LP		
SIZE	DWG. NO.	REV
C		1
SCALE: 1:20	WEIGHT:	SHEET 1 OF 1