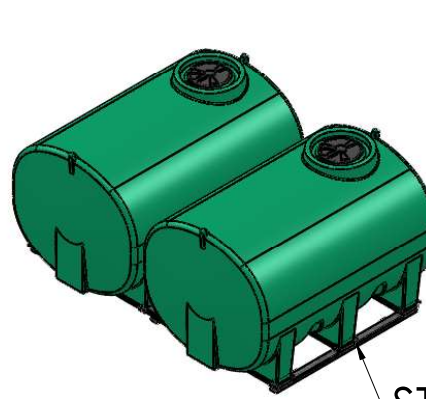
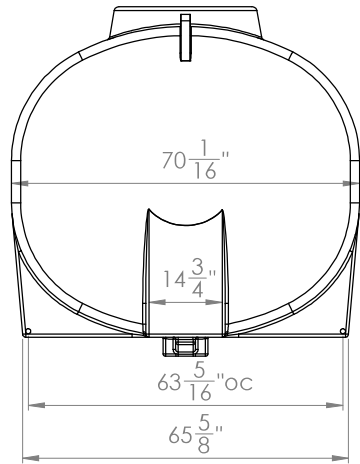


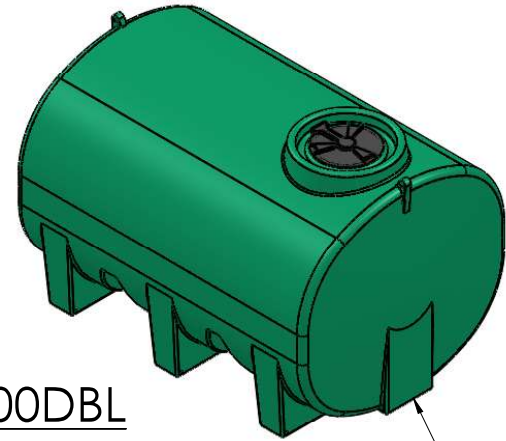
8 7 6 5 4 3 2 1

D

D



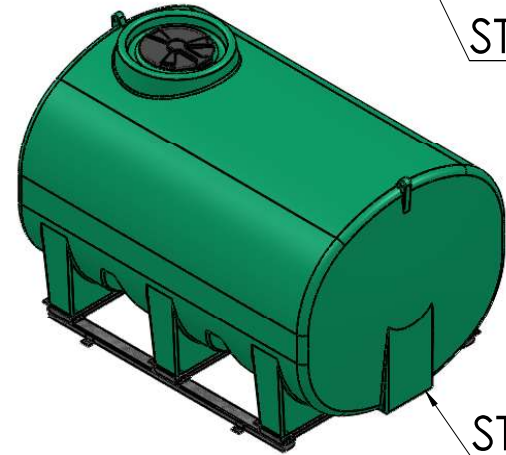
ST1 400DBL



ST1 400LP

C

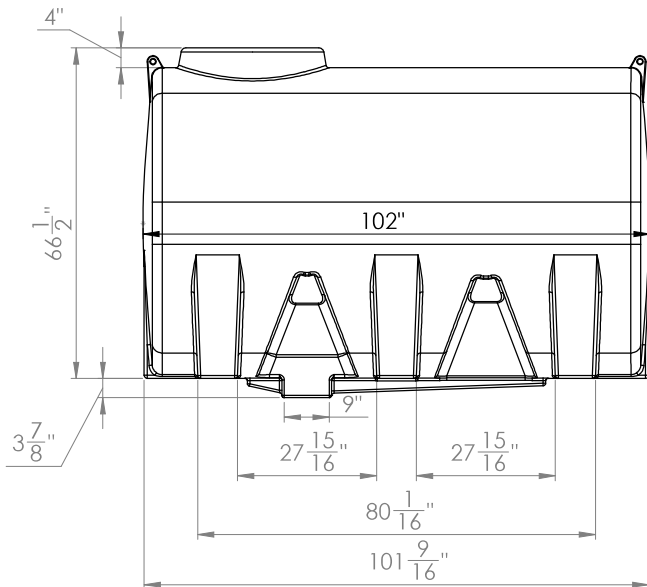
C



ST1 400LS

B

B



A

A

8 7 6 5 4 3 2 1

PROPRIETARY AND CONFIDENTIAL
 THE INFORMATION CONTAINED IN THIS DRAWING IS THE SOLE PROPERTY OF AgriMaxx, Enduraplas. ANY REPRODUCTION IN PART OR AS A WHOLE WITHOUT THE WRITTEN PERMISSION OF AgriMaxx, Enduraplas, IS PROHIBITED.

| | | | | | | | |
|-----------|---------|--------------------------------------|--|----------------------|------|---------------------|--|
| | | UNLESS OTHERWISE SPECIFIED: | | NAME | DATE | Enduraplas | |
| | | DIMENSIONS ARE IN INCHES | | DRAWN | DNS | | |
| | | TOLERANCES: | | CHECKED | | TITLE: | |
| | | FRACTIONAL ± | | ENG APPR. | | ST1400LP | |
| | | ANGULAR: MACH ± BEND ± | | MFG APPR. | | SIZE DWG. NO. | |
| | | TWO PLACE DECIMAL ± | | Q.A. | | REV | |
| | | THREE PLACE DECIMAL ± | | COMMENTS: | | 1 | |
| | | INTERPRET GEOMETRIC TOLERANCING PER: | | | | | |
| | | MATERIAL | | | | | |
| | | FINISH | | | | | |
| NEXT ASSY | USED ON | APPLICATION | | DO NOT SCALE DRAWING | | SCALE: 1:50 WEIGHT: | |
| | | | | | | SHEET 1 OF 1 | |