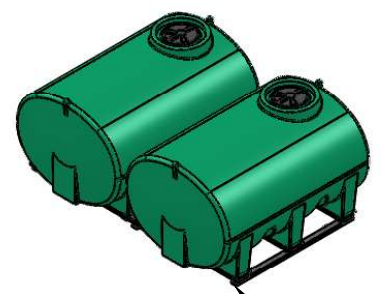
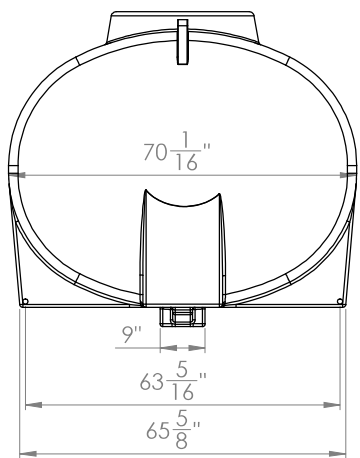


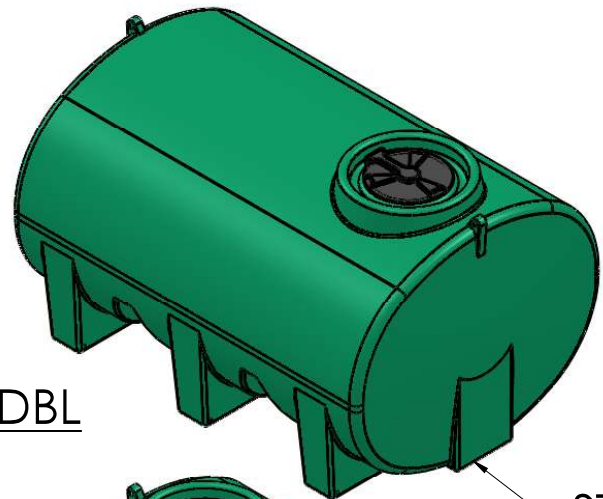
8 7 6 5 4 3 2 1

D

D



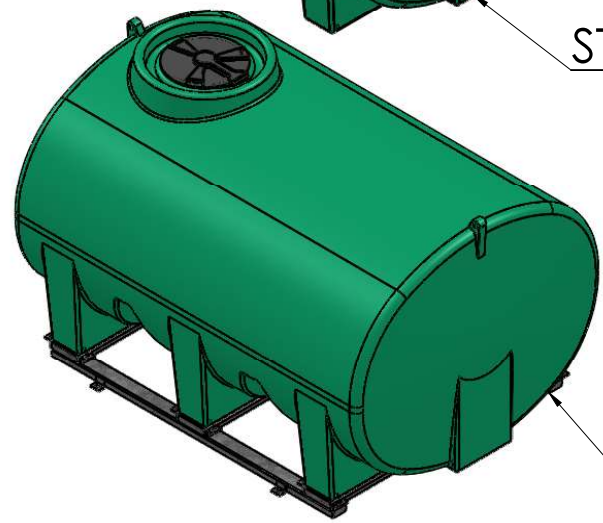
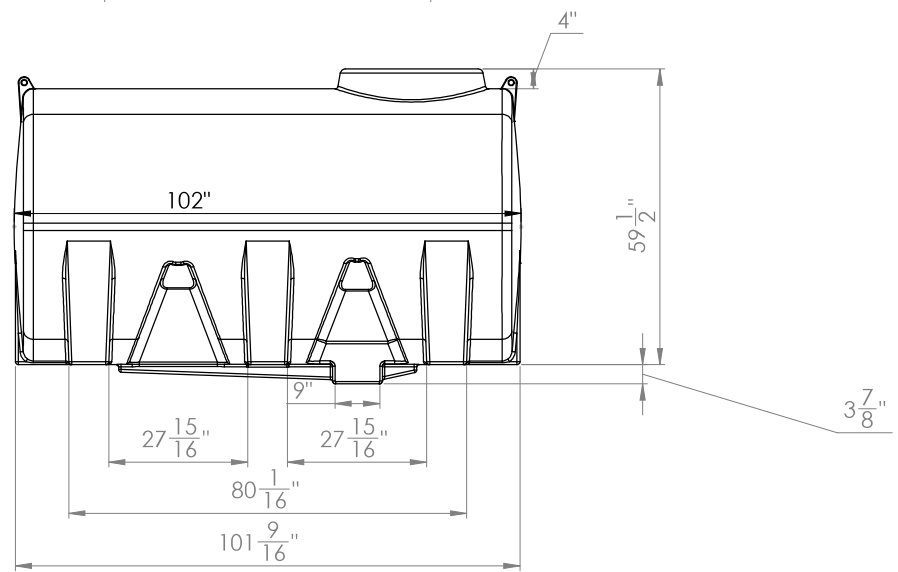
ST1200DBL



ST1200LP

C

C



ST1200LS

B

B

A

A

**PROPRIETARY AND CONFIDENTIAL**  
 THE INFORMATION CONTAINED IN THIS DRAWING IS THE SOLE PROPERTY OF Agriimaxx, Enduraplas. ANY REPRODUCTION IN PART OR AS A WHOLE WITHOUT THE WRITTEN PERMISSION OF Agriimaxx, Enduraplas, IS PROHIBITED.

		UNLESS OTHERWISE SPECIFIED:		NAME	DATE	<b>Enduraplas</b>	
		DIMENSIONS ARE IN INCHES		DRAWN	DNS		
		TOLERANCES:		CHECKED			TITLE:
		FRACTIONAL ±		ENG APPR.			ST1200LP
		ANGULAR: MACH ± BEND ±		MFG APPR.			
		TWO PLACE DECIMAL ±		Q.A.			
		THREE PLACE DECIMAL ±		COMMENTS:			
		INTERPRET GEOMETRIC TOLERANCING PER:					SIZE DWG. NO.
		MATERIAL					<b>B</b>
		FINISH					REV
NEXT ASSY	USED ON						<b>1</b>
APPLICATION		DO NOT SCALE DRAWING					SCALE: 1:50 WEIGHT:
							SHEET 1 OF 1

8 7 6 5 4 3 2 1