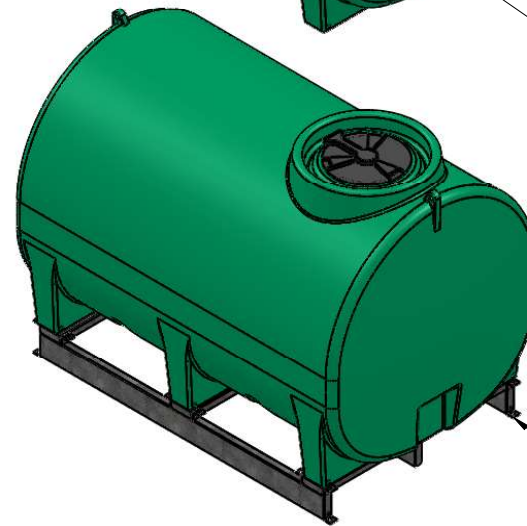


**ST1000LP**



**ST1000LS**

**PROPRIETARY AND CONFIDENTIAL**  
 THE INFORMATION CONTAINED IN THIS DRAWING IS THE SOLE PROPERTY OF AgriMaxx, Enduraplas. ANY REPRODUCTION IN PART OR AS A WHOLE WITHOUT THE WRITTEN PERMISSION OF AgriMaxx, Enduraplas, IS PROHIBITED.

		UNLESS OTHERWISE SPECIFIED:		NAME	DATE	<b>Enduraplas</b>	
		DIMENSIONS ARE IN INCHES		DNS	9/12/11		
		TOLERANCES:				ST1000LP	
		FRACTIONAL ±				SIZE DWG. NO.	
		ANGULAR: MACH ± BEND ±				REV	
		TWO PLACE DECIMAL ±				1	
		THREE PLACE DECIMAL ±				SCALE: 1:50 WEIGHT:	
		INTERPRET GEOMETRIC TOLERANCING PER:		COMMENTS:		SHEET 1 OF 1	
		MATERIAL					
NEXT ASSY		USED ON					
APPLICATION		DO NOT SCALE DRAWING					