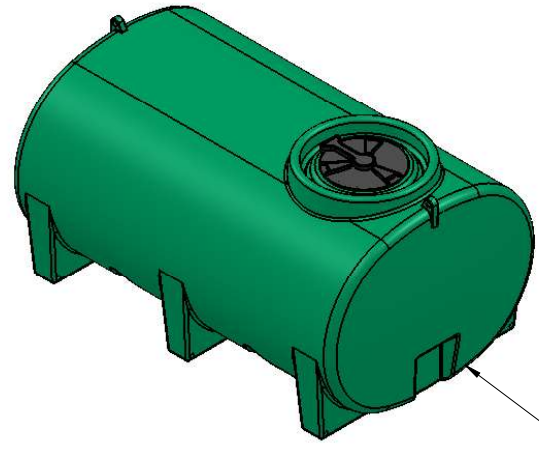
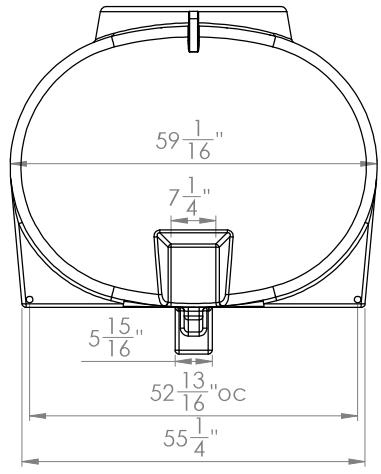


8 7 6 5 4 3 2 1

D

D



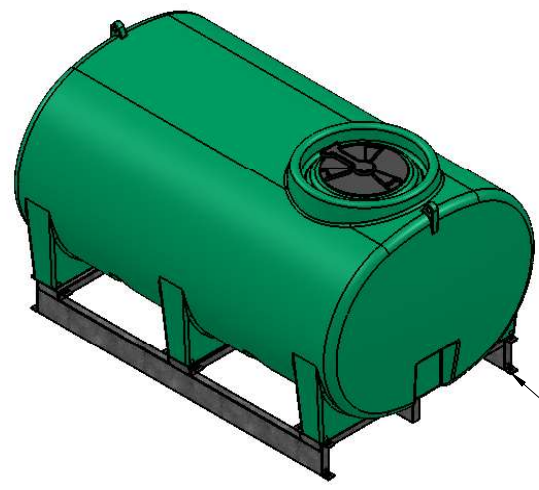
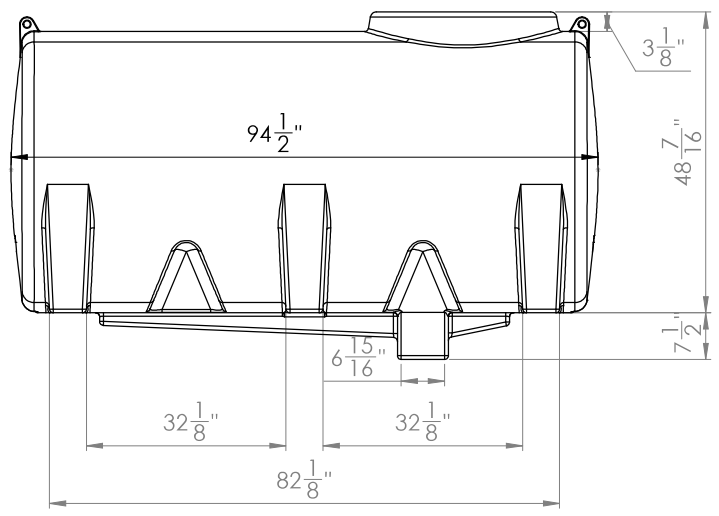
ST800LP

C

C

B

B



ST800LS

A

A

**PROPRIETARY AND CONFIDENTIAL**  
 THE INFORMATION CONTAINED IN THIS DRAWING IS THE SOLE PROPERTY OF Agriimaxx, Enduraplas. ANY REPRODUCTION IN PART OR AS A WHOLE WITHOUT THE WRITTEN PERMISSION OF Agriimaxx, Enduraplas, IS PROHIBITED.

		UNLESS OTHERWISE SPECIFIED:		NAME	DATE	<b>Enduraplas</b> TITLE: <b>ST800LP</b> SIZE DWG. NO. REV <b>B</b> <b>1</b> SCALE: 1:20 WEIGHT: SHEET 1 OF 1		
		DIMENSIONS ARE IN INCHES		DRAWN	DNS			9/12/11
		TOLERANCES:		CHECKED				
		FRACTIONAL ±		ENG APPR.				
		ANGULAR: MACH ± BEND ±		MFG APPR.				
		TWO PLACE DECIMAL ±		Q.A.				
		THREE PLACE DECIMAL ±		COMMENTS:				
		INTERPRET GEOMETRIC TOLERANCING PER:						
		MATERIAL						
		FINISH						
NEXT ASSY	USED ON							
APPLICATION		DO NOT SCALE DRAWING						

8 7 6 5 4 3 2 1