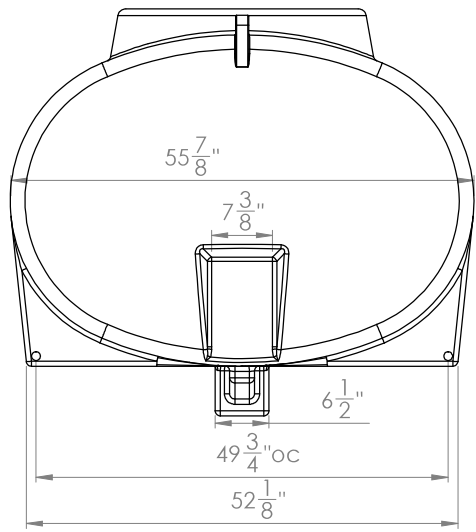


8 7 6 5 4 3 2 1

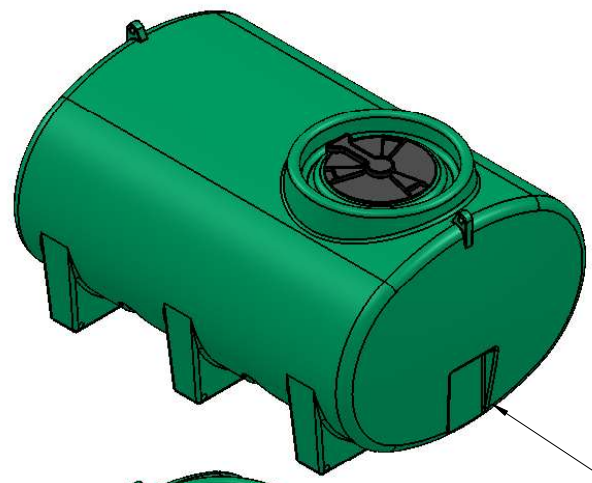
D

D



C

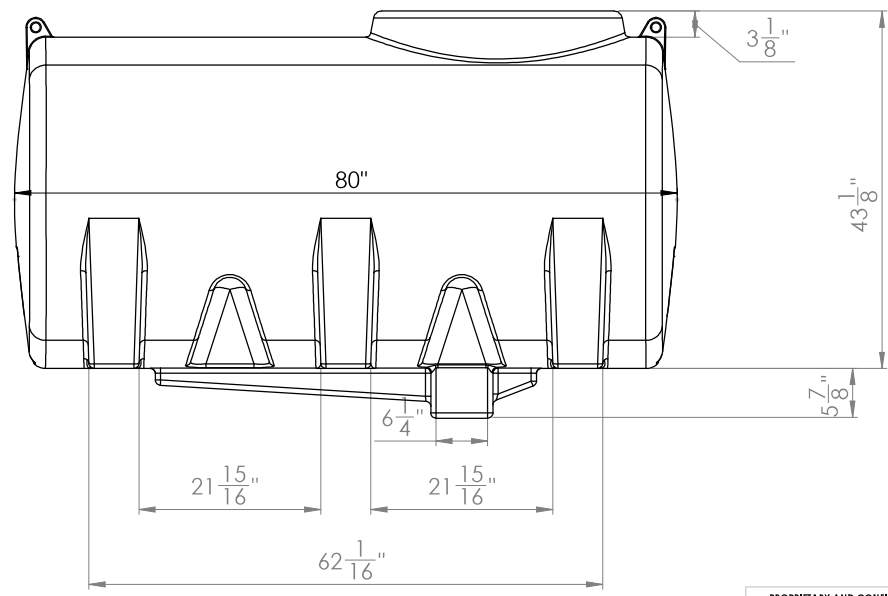
C



ST500LP

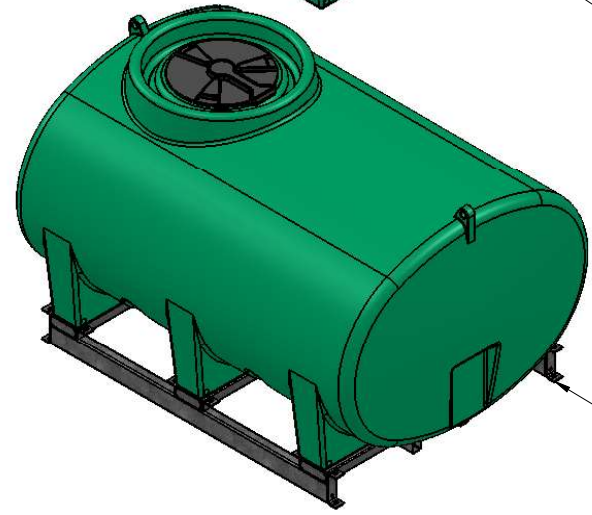
B

B



A

A



ST500LS

**PROPRIETARY AND CONFIDENTIAL**  
 THE INFORMATION CONTAINED IN THIS DRAWING IS THE SOLE PROPERTY OF Aglimaxx Enduraplas. ANY REPRODUCTION IN PART OR AS A WHOLE WITHOUT THE WRITTEN PERMISSION OF Aglimaxx Enduraplas IS PROHIBITED.

|             |         |                                      |  |                     |          |  |  |         |
|-------------|---------|--------------------------------------|--|---------------------|----------|--|--|---------|
|             |         | UNLESS OTHERWISE SPECIFIED:          |  | NAME                | DATE     | <h2 style="text-align: center;">Enduraplas</h2> <p style="text-align: center;">TITLE:</p> <h1 style="text-align: center;">ST500LP</h1> |  |         |
|             |         | DIMENSIONS ARE IN INCHES             |  | DRAWN               | DNS      |  |  | 9/12/11 |
|             |         | TOLERANCES:                          |  | CHECKED             |          |  |  |         |
|             |         | FRACTIONAL ±                         |  | ENG APPR.           |          |  |  |         |
|             |         | ANGULAR: MACH ± BEND ±               |  | MFG APPR.           |          |  |  |         |
|             |         | TWO PLACE DECIMAL ±                  |  | Q.A.                |          |  |  |         |
|             |         | THREE PLACE DECIMAL ±                |  | COMMENTS:           |          |  |  |         |
|             |         | INTERPRET GEOMETRIC TOLERANCING PER: |  |                     |          |  |  |         |
|             |         | MATERIAL                             |  |                     |          |  |  |         |
|             |         | FINISH                               |  |                     |          |  |  |         |
| NEXT ASSY   | USED ON | DO NOT SCALE DRAWING                 |  |                     |          |  |  |         |
| APPLICATION |         |                                      |  |                     |          |  |  |         |
|             |         |                                      |  | SIZE                | DWG. NO. | REV  |  |         |
|             |         |                                      |  | <b>B</b>            |          | <b>1</b>   |  |         |
|             |         |                                      |  | SCALE: 1:20 WEIGHT: |          | SHEET 1 OF 1   |  |         |

8 7 6 5 4 3 2 1