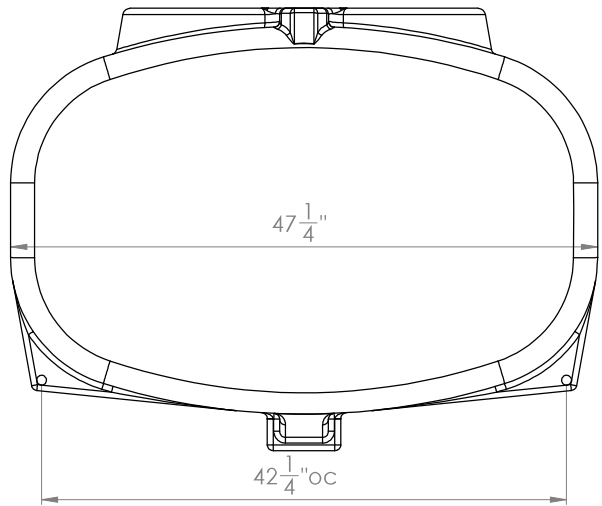


8 7 6 5 4 3 2 1

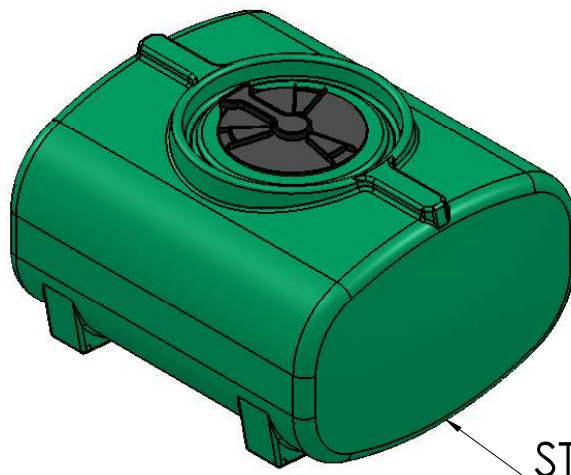
D

D



C

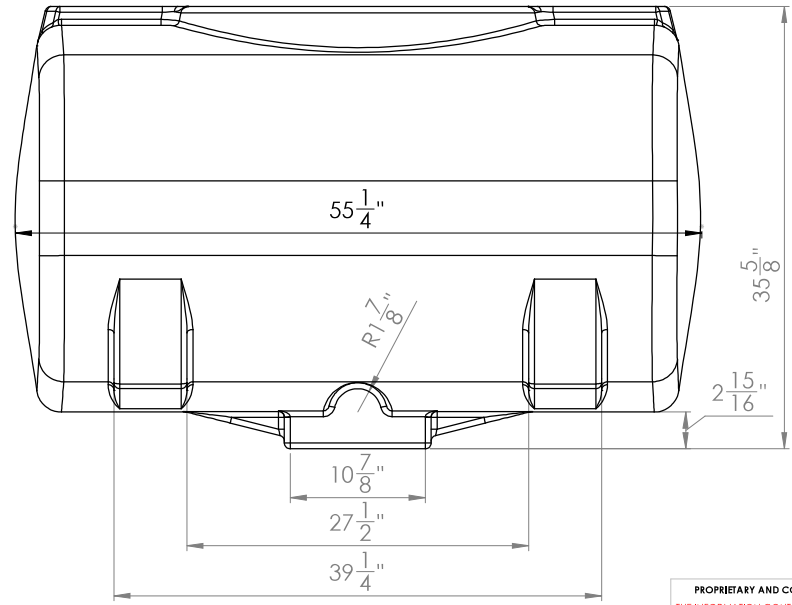
C



ST250LP

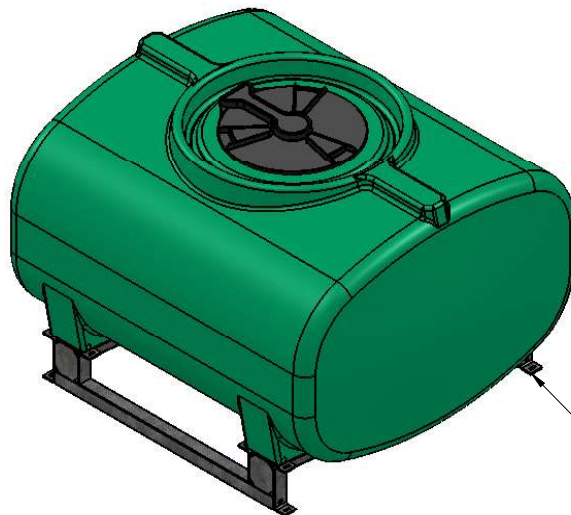
B

B



A

A



ST250LS

**PROPRIETARY AND CONFIDENTIAL**  
 THE INFORMATION CONTAINED IN THIS DRAWING IS THE SOLE PROPERTY OF Aglimaxx, Enduraplas. ANY REPRODUCTION IN PART OR AS A WHOLE WITHOUT THE WRITTEN PERMISSION OF Aglimaxx, Enduraplas, IS PROHIBITED.

		UNLESS OTHERWISE SPECIFIED:		NAME	DATE	<h2 style="text-align: center;">Enduraplas</h2> <p style="text-align: center;">TITLE: <b>ST250LP</b></p>		
		DIMENSIONS ARE IN INCHES		DRAWN	DNS			9/12/11
		TOLERANCES:		CHECKED				
		FRACTIONAL ±		ENG APPR.				
		ANGULAR: MACH ± BEND ±		MFG APPR.				
		TWO PLACE DECIMAL ±		Q.A.				
		THREE PLACE DECIMAL ±		COMMENTS:				
		INTERPRET GEOMETRIC TOLERANCING PER:						
		MATERIAL						
		FINISH						
NEXT ASSY	USED ON					SIZE <b>B</b> DWG. NO.	REV <b>1</b>	
APPLICATION		DO NOT SCALE DRAWING				SCALE: 1:20 WEIGHT:	SHEET 1 OF 1	

8 7 6 5 4 3 2 1