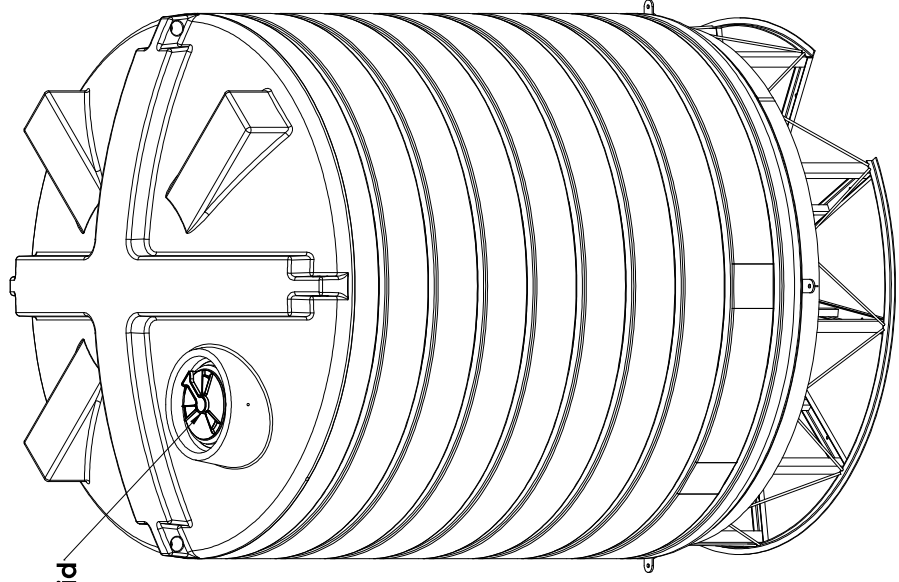
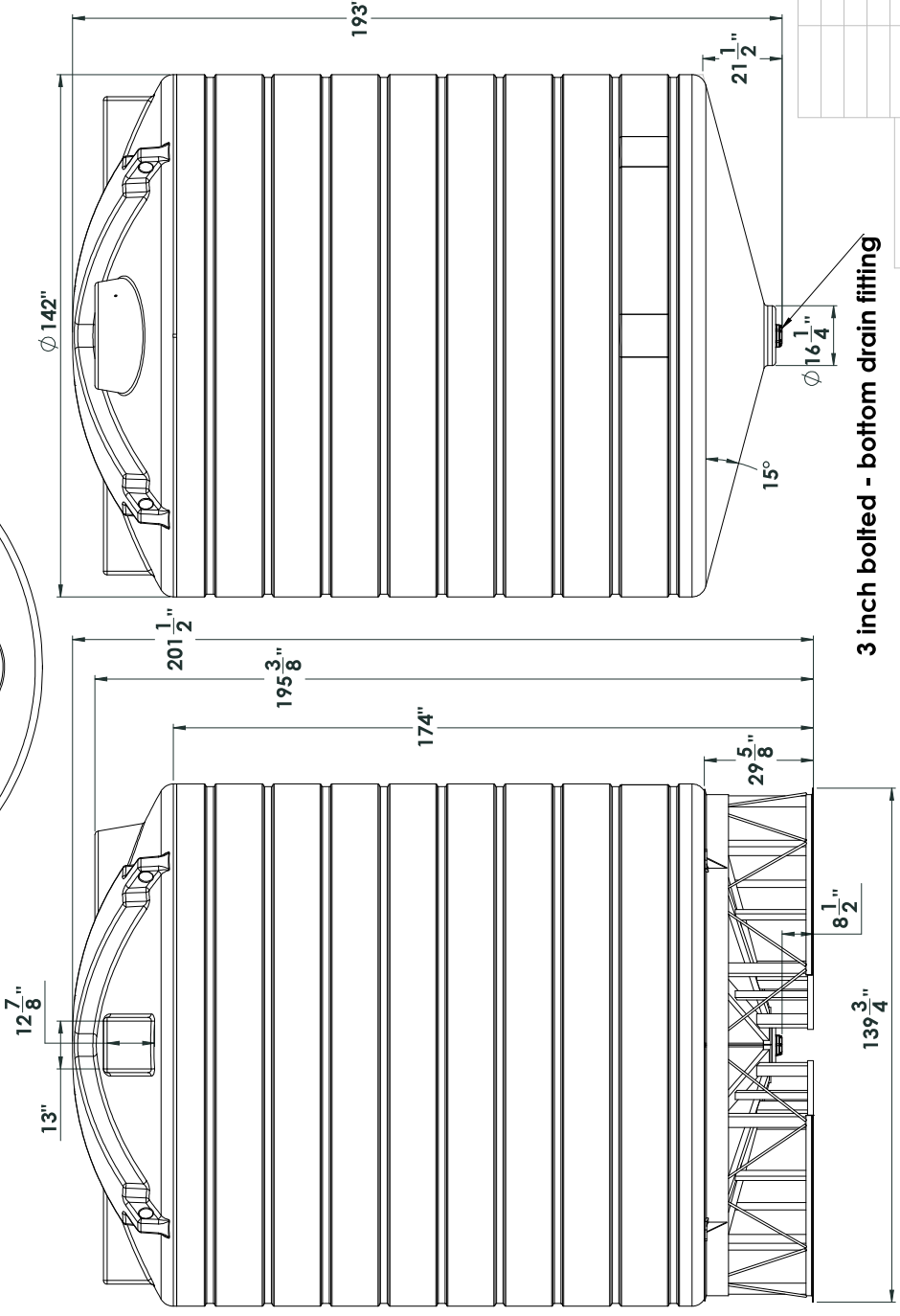


16 inch lid



Shown with AZFC06011 stand



3 inch bolted - bottom drain fitting

NOTE: Allow +/- 1.5% Shrinkage

NAME	DATE	DIS	DRAWN	CHECKED	DATE
UNLESS OTHERWISE SPECIFIED:					
DIMENSIONS ARE IN INCHES					
FRACTIONS SHALL BE IN 16ths					
TOLERANCES:					
FRACTIONS: ±0.005					
DECIMALS: ±0.005					
THREE PLACE DECIMAL: ±0.005					
FOUR PLACE DECIMAL: ±0.0005					
FIVE PLACE DECIMAL: ±0.00005					
G.A.					
COMMENTS:					
INTERFERE GEOMETRIC					
DIMENSIONS FOR:					
MATERIAL:					
FINISH:					
DO NOT SCALE DRAWING					
REV	DATE	BY	CHKD	APPD	DESCRIPTION
1					

PROPERTY AND COPYRIGHT
 OF THE COMPANY AND NUMBERING
 DRAWING IS THE SOLE PROPERTY OF
 ENDURAPLAS LLC. ANY REPRODUCTION
 OR TRANSMISSION OF THIS DRAWING
 WITHOUT PERMISSION OF ENDURAPLAS LLC
 IS PROHIBITED.

TITLE: **THC10000**
 ENDURAPLAS LLC
 SIZE: **C**
 DWG. NO.: **1**
 SCALE: 1:50 WEIGHT: SHEET 1 OF 1