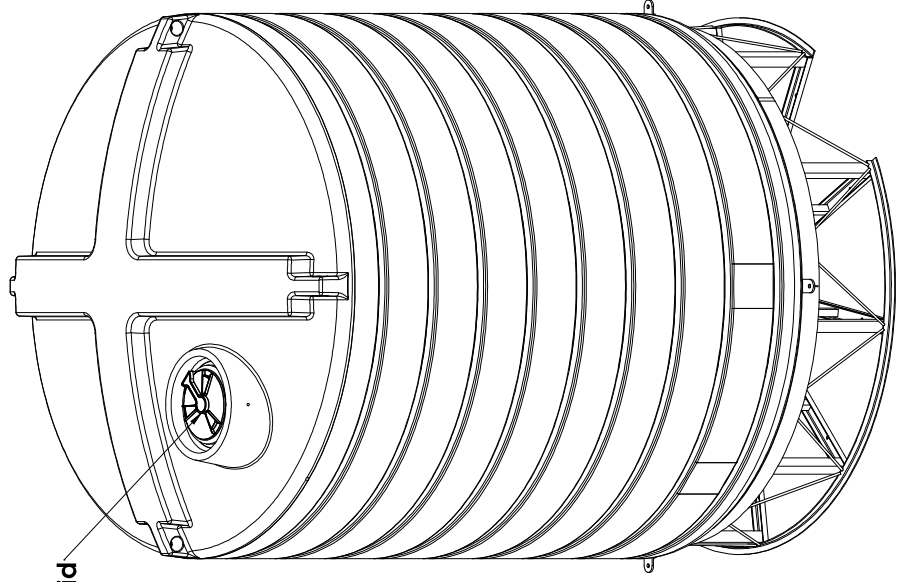
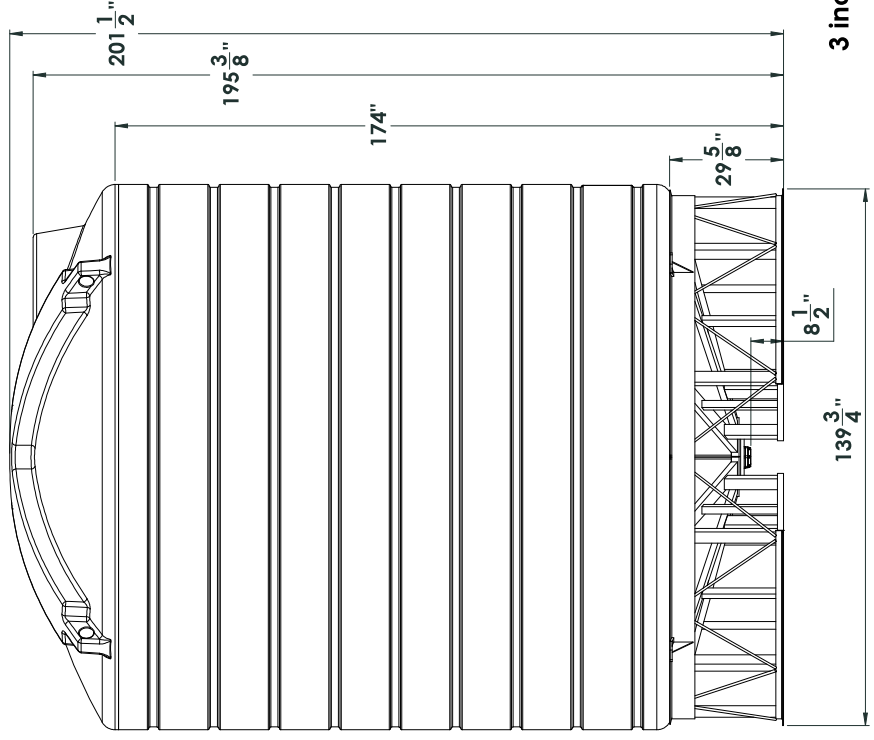
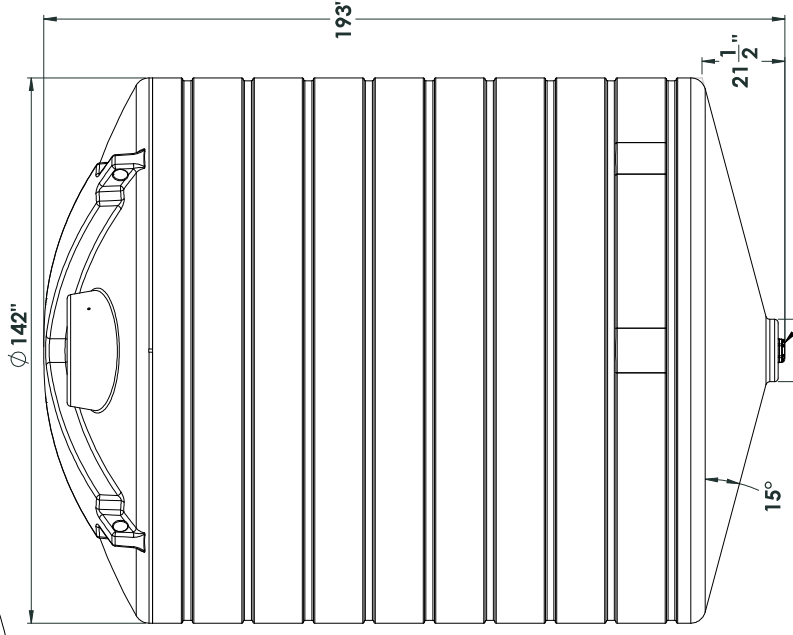


16 inch lid



Shown with AZFC06011 stand



3 inch bolted - bottom drain fitting

NOTE: Allow +/- 1.5% Shrinkage

NAME	DATE	DESIGN	DATE
ENDURAPLAS LLC			
TITLE:			
UNLESS OTHERWISE SPECIFIED:			
DIMENSIONS ARE IN INCHES			
TOLERANCES:			
FRACTIONAL	DECIMAL	FINISH	
± .005	± .005	± .005	
THREE PLACE DECIMAL :			
± .005			
G.A.			
COMMENTS:			
INTERFERE GEOMETRIC			
TOLERANCES FIBER			
MATERIAL:			
FINISH	USED ON	DO NOT SCALE DRAWING	
REF: ASST	APP: ASST		
SCALE: 1:50	WEIGHT:	SHEET 1 OF 1	

PROPERTY AND COPYRIGHT
 OF THE COMPANY AND NUMBERING
 THIS DRAWING IS THE SOLE PROPERTY OF
 ENDURAPLAS LLC. ANY REPRODUCTION
 OR TRANSMISSION IN ANY FORM OR BY
 ANY MEANS, WITHOUT THE WRITTEN
 PERMISSION OF ENDURAPLAS LLC
 IS PROHIBITED.

SIZE DWG. NO. REV
C **THC10000** **1**