

1

2

3

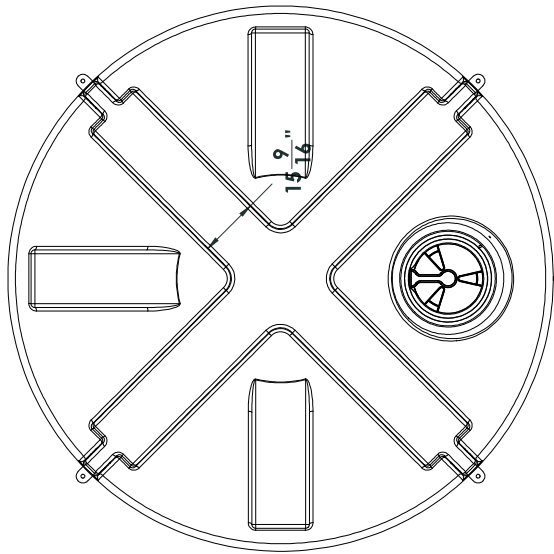
4

D

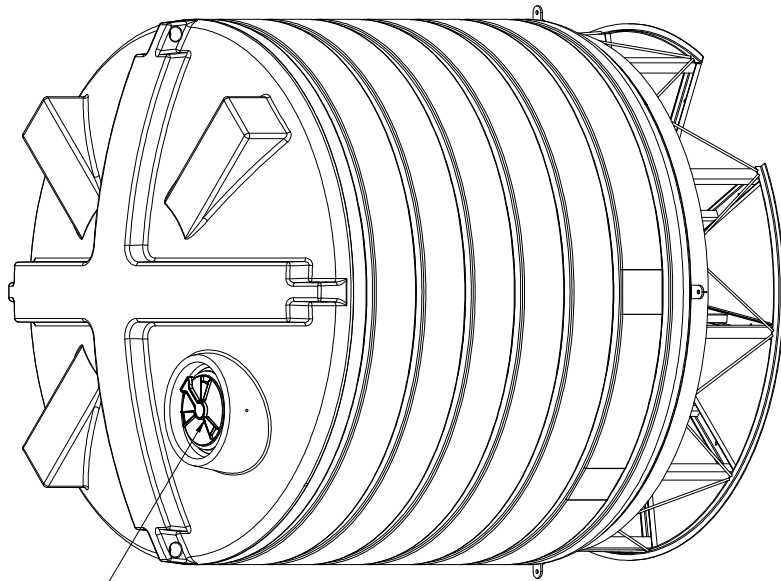
C

B

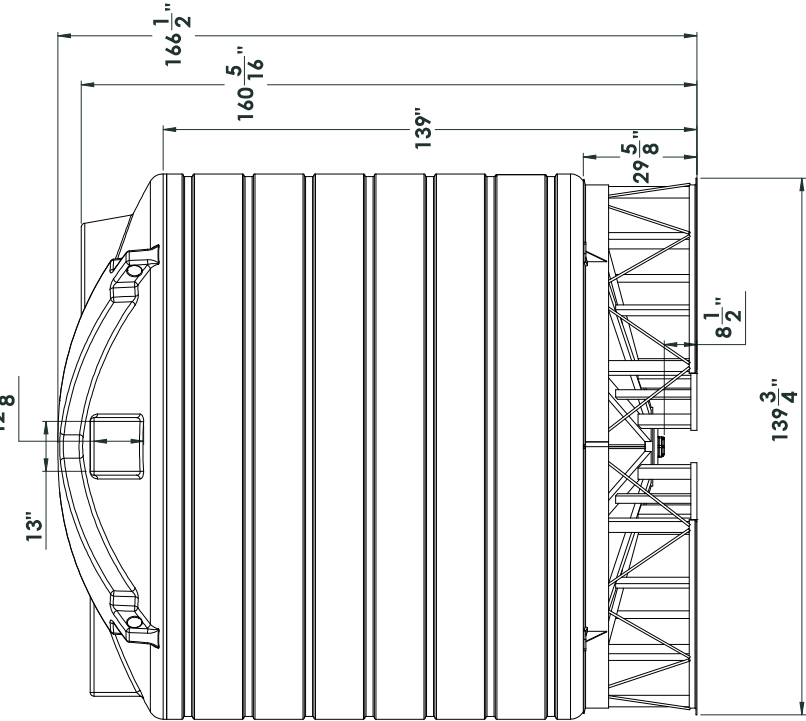
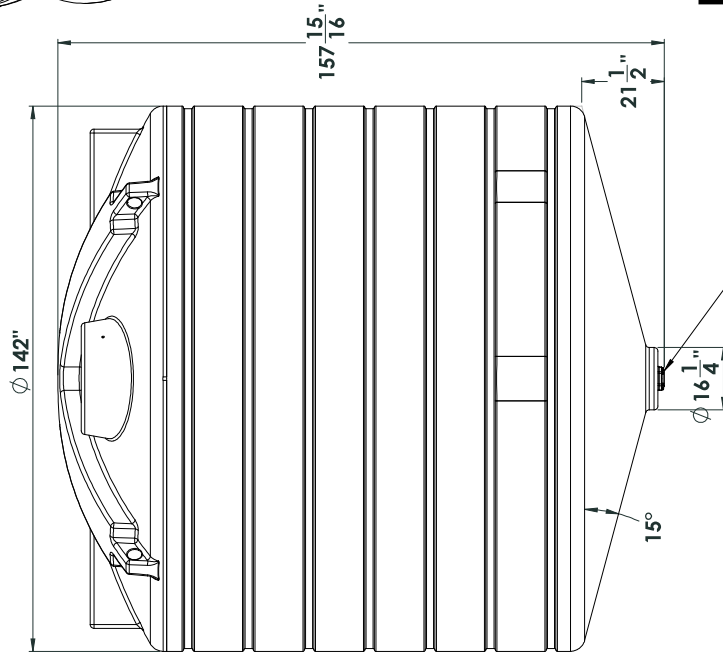
A



16 inch lid



Shown with AZFC06011 stand



3 inch bolted - bottom drain fitting

**NOTE: Allow +/- 1.5% Shrinkage**

NAME	DATE	DESIGN	DATE
ENDURAPLAS LLC	11/20/15		
TITLE:			
THC08000			
SIZE	DWG. NO.	REV	
C		1	
SCALE: 1:50	WEIGHT:	SHEET 1 OF 1	

PROPERTY AND COPYRIGHT:  
 THE INFORMATION CONTAINED IN THIS  
 DRAWING IS THE SOLE PROPERTY OF  
 ENDURAPLAS LLC. IT IS TO BE USED ONLY  
 IN CONNECTION WITH THE PROJECT AND  
 WITHOUT PERMISSION OF ENDURAPLAS LLC  
 IT IS VOID.

1

2

3

4

D

C

B

A