

1

2

3

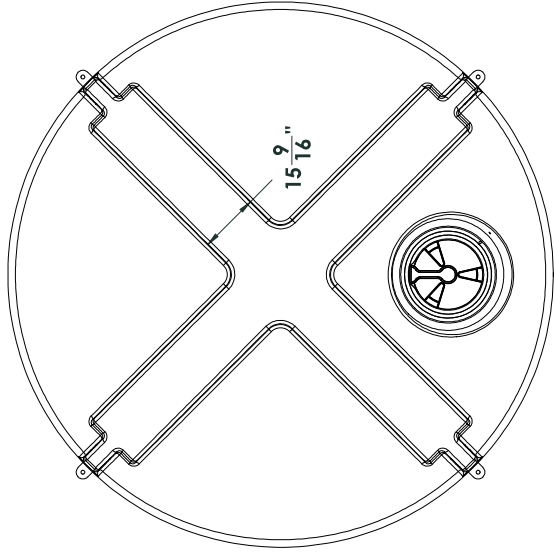
4

D

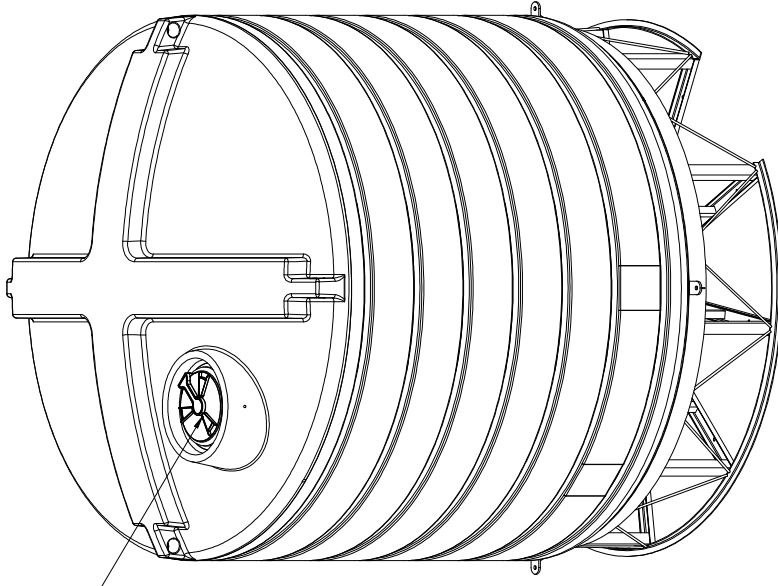
C

B

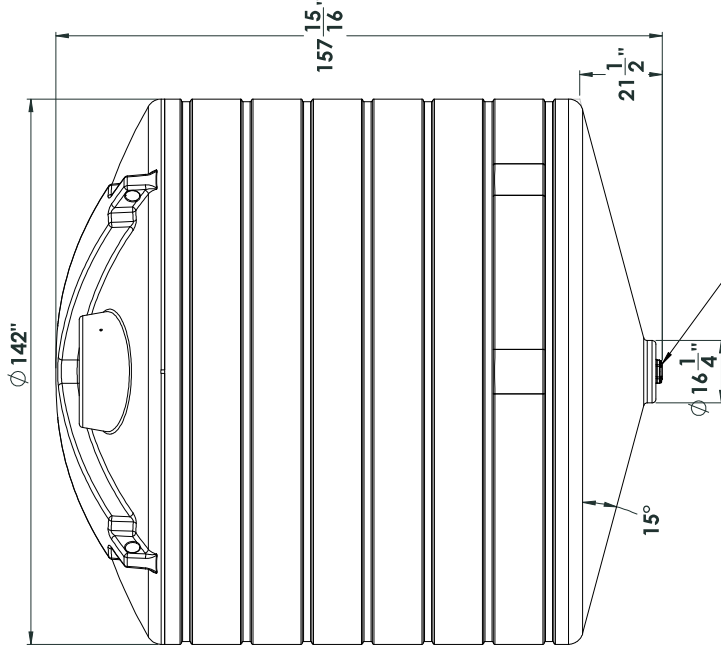
A



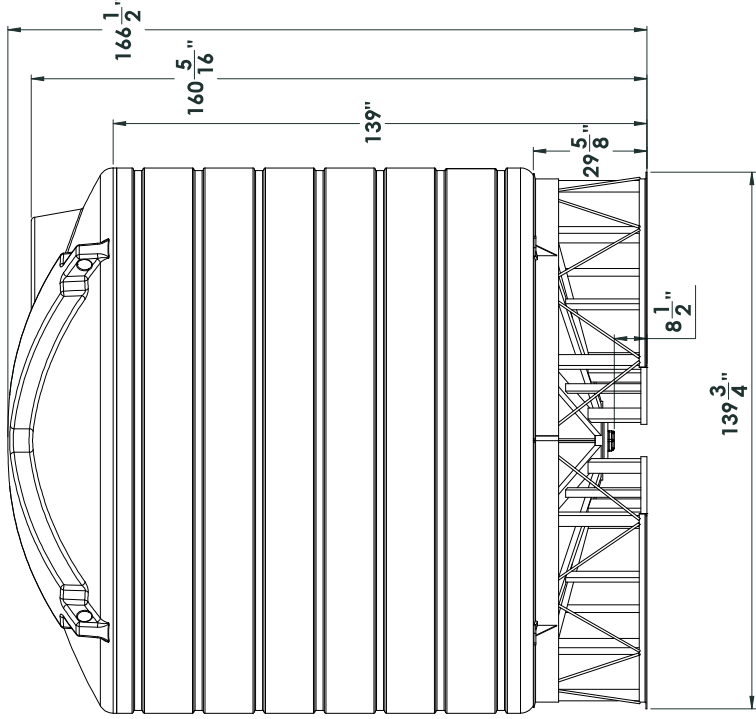
16 inch lid



Shown with AZFC06011 stand



3 inch bolted - bottom drain fitting



NOTE: Allow +/- 1.5% Shrinkage

UNLESS OTHERWISE SPECIFIED:	NAME	DATE	DIS	DATE
DRAWN		11/20/15		
CHECKED				
DESIGNED				
ENG APPR.				
G.A.				
COMMENTS:				
INTERFERE GEOMETRIC				
FINISH				
USED ON:				
REVISION				
APPLICATION				
DO NOT SCALE DRAWING				

FRONT VIEW AND COMPARISON	SIZE	DWG. NO.	REV
THE PROVISIONAL AND COMPARISON THIS DRAWING IS THE SOLE PROPERTY OF ENDURAPLAS LLC AND IS NOT TO BE REPRODUCED OR TRANSMITTED IN ANY FORM OR BY ANY MEANS WITHOUT PERMISSION OF ENDURAPLAS LLC.	C	THC08000	1

1

2

3

4

D

C

B

A