

1

2

3

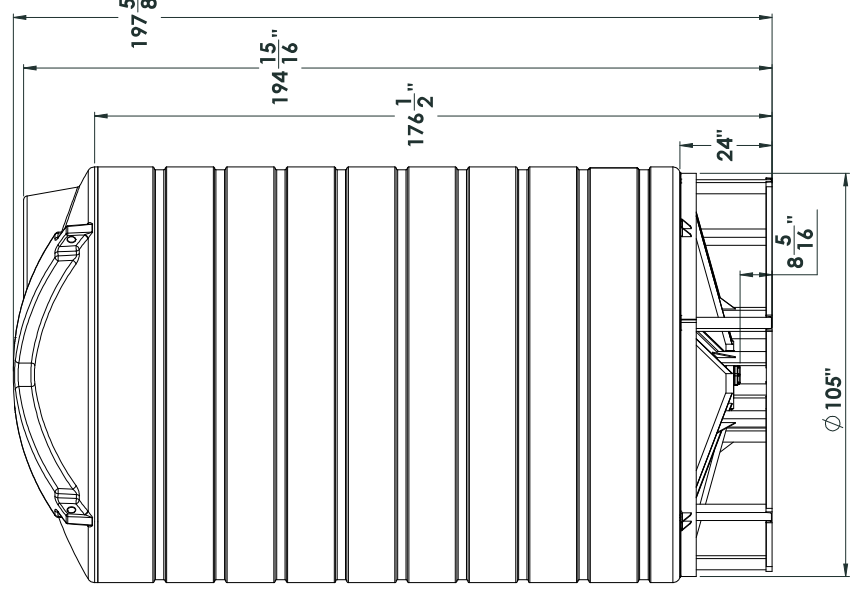
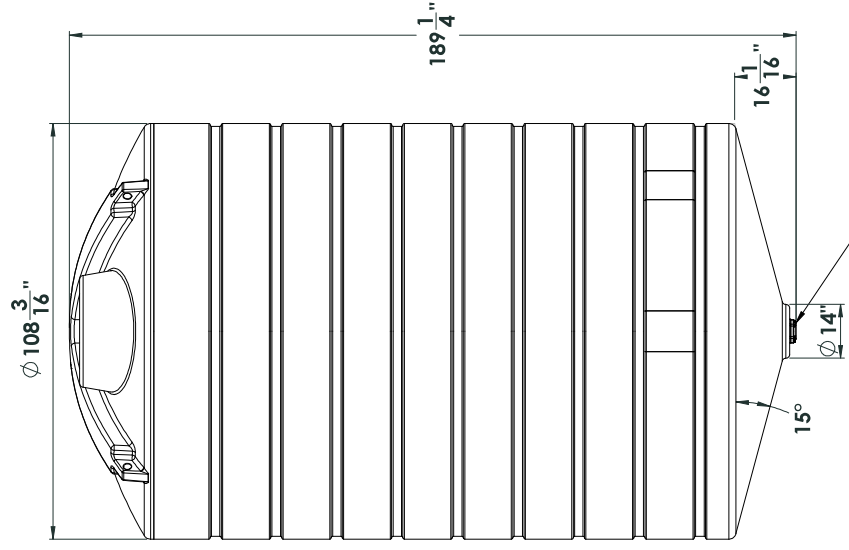
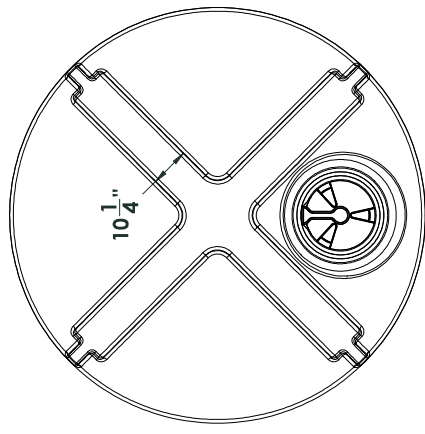
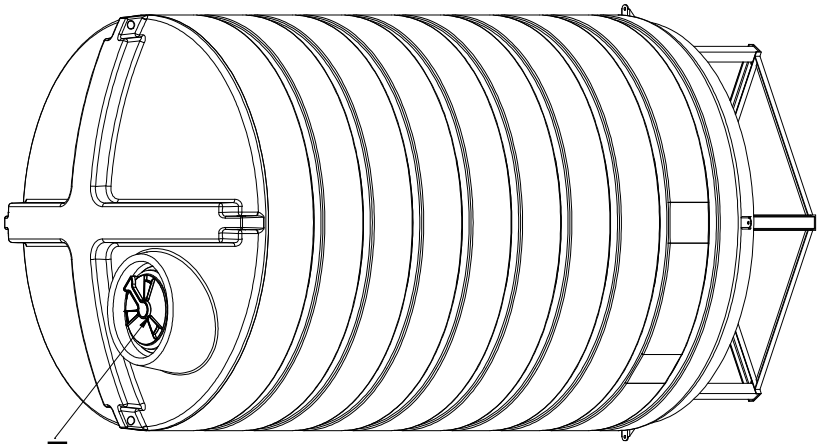
4

D

C

B

A



NOTE: Allow +/- 1.5% Shrinkage

NAME	DATE	DRWN	CHKD	ENG	DATE
DNS	11/20/15				
UNLESS OTHERWISE SPECIFIED: DIMENSIONS ARE IN INCHES TOLERANCES: FRACTIONAL ± .015 DECIMAL ± .005 HOLE ± .005 TWO PLACE DECIMAL ± .005 THREE PLACE DECIMAL ± .002					
G.A. COMMENTS:					
INTERFERE GEOMETRIC DIMENSIONS FOR: MATERIAL:					
DO NOT SCALE DRAWING					
REPT ASST	USED ON	APPLICATION			
TITLE: ENDURAPLAS LLC					
THC06000					
SIZE DWG. NO. C					
REV 1					
SCALE: 1:50 WEIGHT: SHEET 1 OF 1					

3 inch bolted - bottom drain fitting

PROPERTY AND COPYRIGHT:
THE INFORMATION CONTAINED IN THIS
DRAWING IS THE SOLE PROPERTY OF
ENDURAPLAS LLC AND IS TO BE USED ONLY
IN ACCORDANCE WITH THE TERMS AND
CONDITIONS OF THE PURCHASE ORDER
WITHIN THE REGION OF ENDURAPLAS LLC
© 2015 ENDURAPLAS LLC

1

2

3

4

D

C

B

A