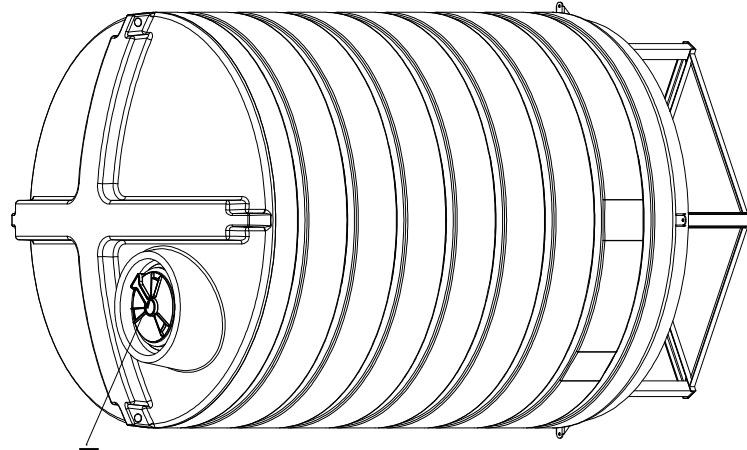
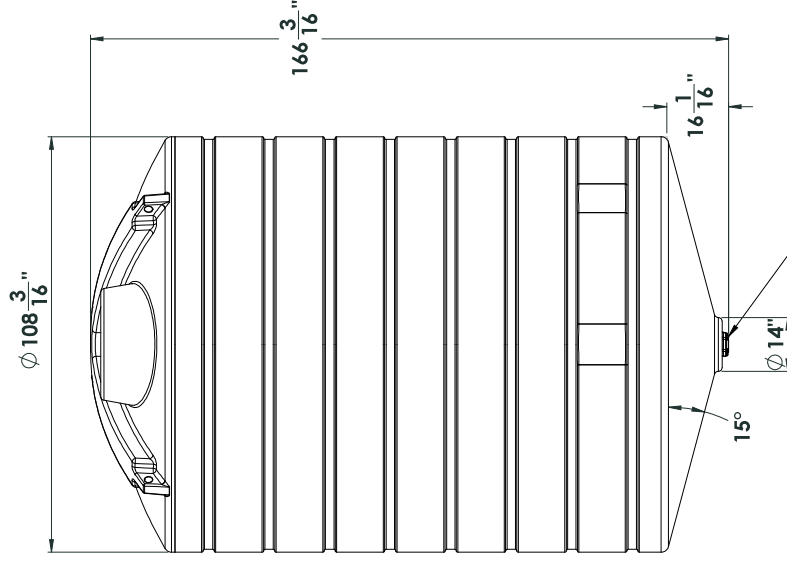


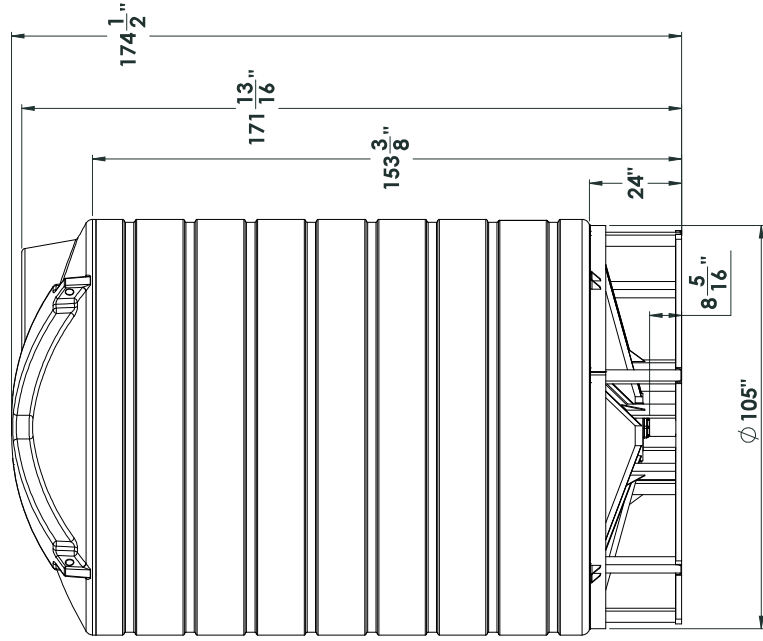
16 inch lid



Shown with AZFC02020 stand



3 inch bolted - bottom drain fitting



NOTE: Allow +/- 1.5% Shrinkage

UNLESS OTHERWISE SPECIFIED:		NAME	DATE	ENDURAPLAS LLC	
DIMENSIONS ARE IN INCHES	DRAWN	DJS	11/20/15	TITLE:	
FRACTIONAL DIMENSIONS:	CHECKED			THC05000	
TWO PLACE DECIMAL :	ENG APPR.			SIZE DWG. NO. C	
THREE PLACE DECIMAL :	ENG APPR.			SCALE: 1:50WEIGHT: SHEET 1 OF 1	
INTERFER GEOMETRIC	G.A.			REV 1	
FINISHING FOR:	COMMENTS:				
MATERIAL:					
REPEAT ASY	USED ON				
APPLICATION	DO NOT SCALE DRAWING				

PROPERTY AND COPYRIGHT
 OF THE COMPANY AND THE
 DRAWING IS THE SOLE PROPERTY OF
 ENDURAPLAS LLC. ANY REPRODUCTION
 OR TRANSMISSION IN ANY FORM OR BY
 ANY MEANS, WITHOUT THE WRITTEN
 PERMISSION OF ENDURAPLAS LLC
 IS PROHIBITED.