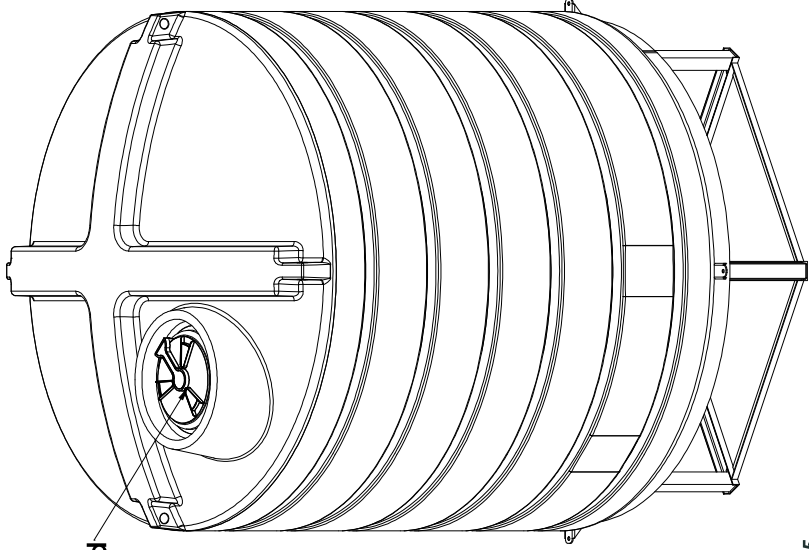
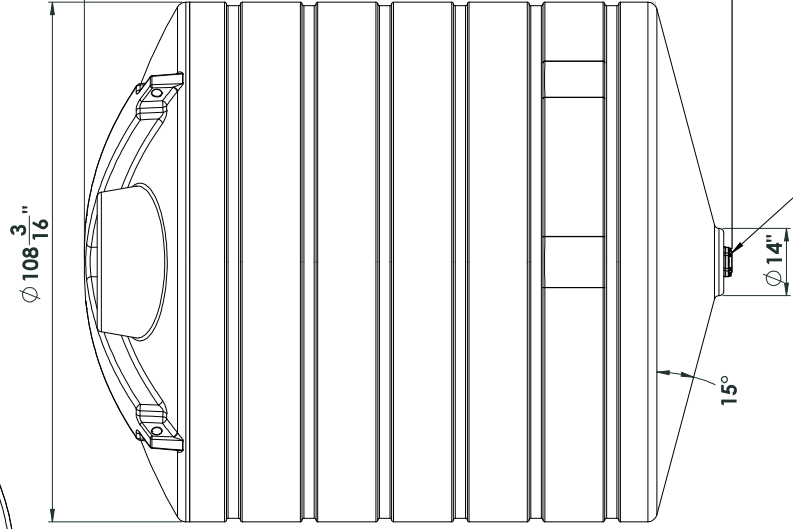


16 inch lid



Shown with AZFC02020 stand



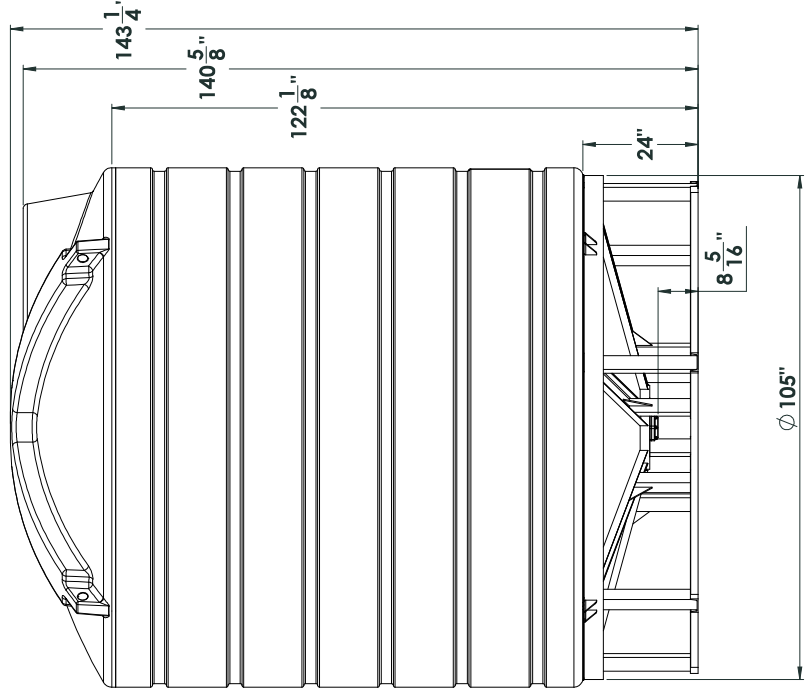
$\phi 108 \frac{3}{16}$

$134 \frac{15}{16}$

$16 \frac{1}{16}$

$\phi 14''$

15°



$143 \frac{1}{4}$

$140 \frac{5}{8}$

$122 \frac{1}{8}$

24"

$8 \frac{5}{16}$

$\phi 105''$

3 inch bolted - bottom drain fitting

PROPRIETARY AND CONFIDENTIAL
 THIS DRAWING IS THE SOLE PROPERTY OF
 ENDURAPLAS LLC. IT IS TO BE USED ONLY IN
 CONNECTION WITH THE PARTS AND MATERIALS
 IDENTIFIED HEREIN AND IS NOT TO BE
 REPRODUCED OR TRANSMITTED IN ANY
 MANNER WITHOUT THE WRITTEN PERMISSION OF
 ENDURAPLAS LLC.

NOTE: Allow +/- 1.5% Shrinkage

UNLESS OTHERWISE SPECIFIED:		NAME	DATE
DRAWN	DIS	11/20/15	ENDURAPLAS LLC
CHECKED	ENG APPR.		TITLE:
FRACTIONAL DIMS:	DECIMAL DIMS:		THC04000
TOLERANCES:	FINISH:		SIZE DWG. NO.
ONE PLACE DECIMAL:	TWO PLACE DECIMAL:		SCALE: 1:50WEIGHT:
TWO PLACE DECIMAL:	THREE PLACE DECIMAL:		SHEET 1 OF 1
INTERFERE GEOMETRIC DIMENSIONS:	INTERFERE FINISH:		REV
INTERFERE MATERIAL:	INTERFERE FINISH:		1
FINISH:	DO NOT SCALE DRAWING		
REPEAT	USED ON:		
APPLICATION:			