

1

2

3

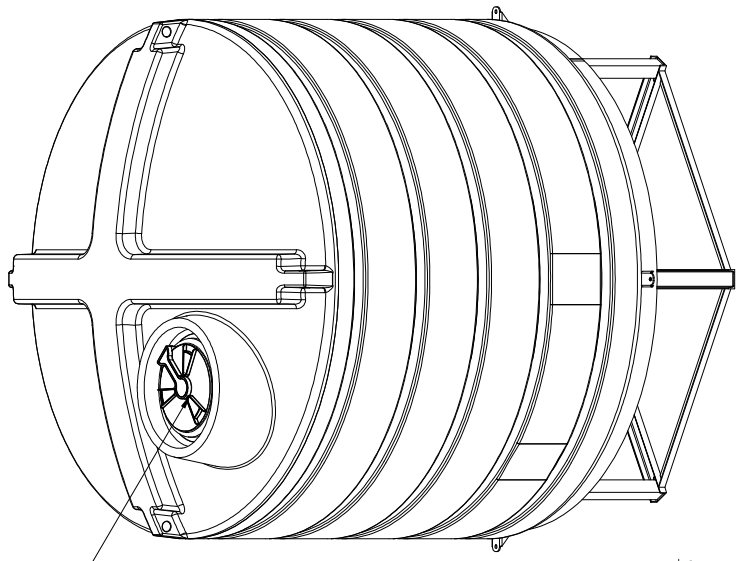
4

D

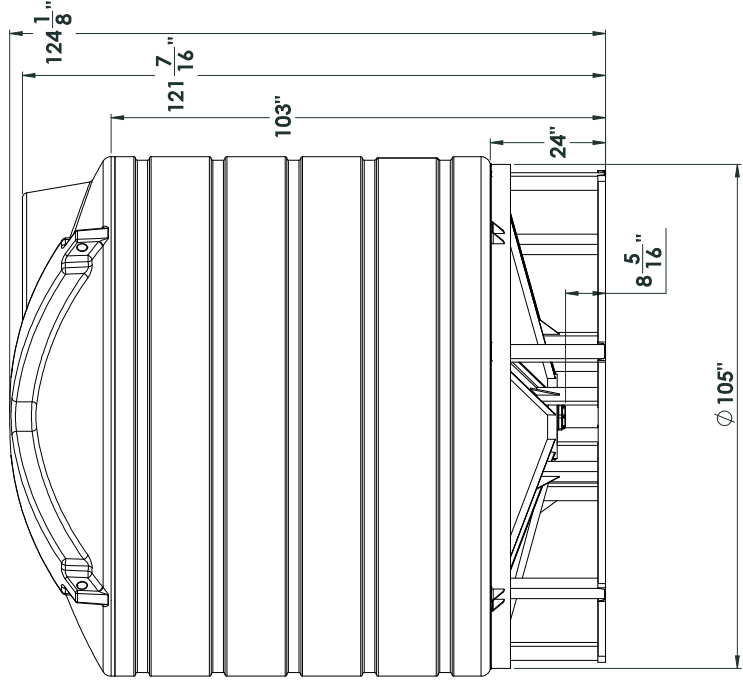
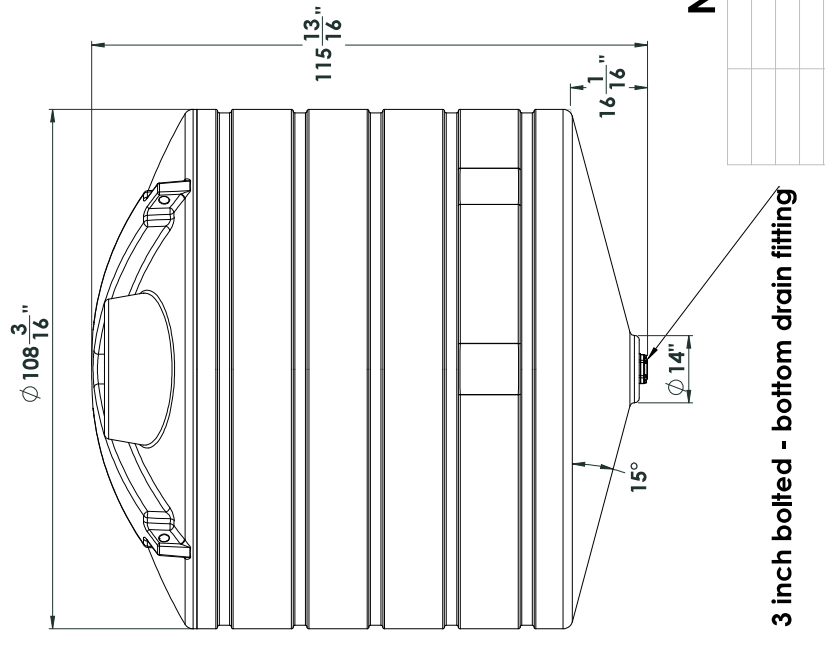
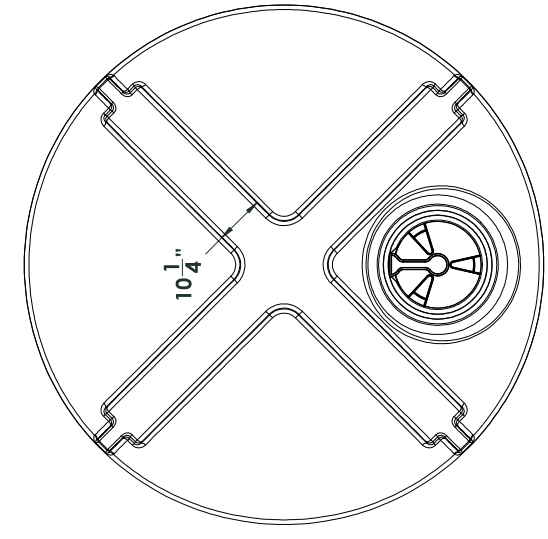
C

B

A



Shown with AZFC02020 stand



NOTE: Allow +/- 1.5% Shrinkage

NAME	DATE	DESCRIPTION
DNS	11/20/15	
DRAWN		
CHECKED		
ENG APPR.		
DATE		
TITLE	ENDURAPLAS LLC	
SIZE	DWG. NO.	REV
C	THC03200	1
SCALE: 1:50WEIGHT:		SHEET 1 OF 1

3 inch bolted - bottom drain fitting

PROPERTY AND COPYRIGHT
 OF ENDURAPLAS LLC. THIS
 DRAWING IS THE SOLE PROPERTY OF
 ENDURAPLAS LLC. NO PART OF THIS
 DRAWING IS TO BE REPRODUCED OR
 TRANSMITTED IN ANY FORM OR BY
 ANY MEANS, ELECTRONIC OR MECHANICAL,
 INCLUDING PHOTOCOPYING, RECORDING,
 OR BY ANY INFORMATION STORAGE AND
 RETRIEVAL SYSTEM, WITHOUT THE
 WRITTEN PERMISSION OF ENDURAPLAS LLC.

1

2

3

4

D

C

B

A