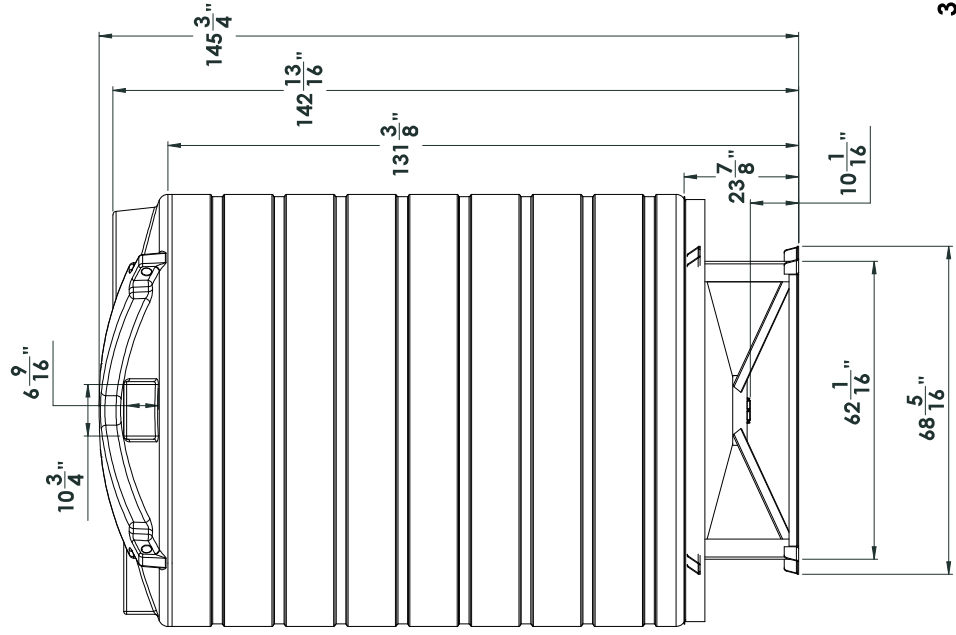
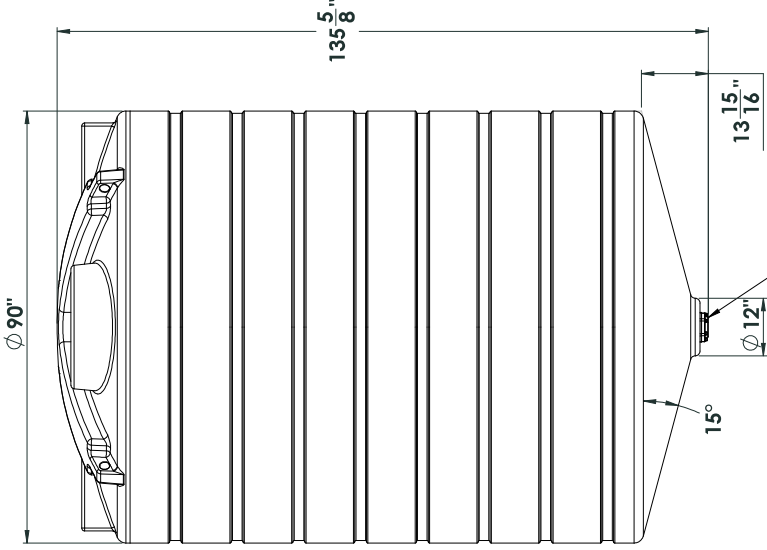
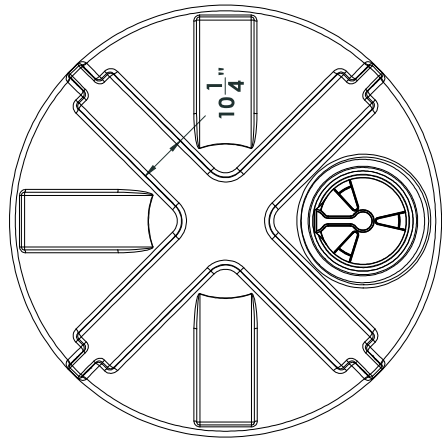


16 inch lid

Shown with AZFC01200 stand



PROPERTY AND COPYRIGHT
 OF ENDURAPLAS LLC
 THIS DRAWING IS THE SOLE PROPERTY OF
 ENDURAPLAS LLC AND IS NOT TO BE
 REPRODUCED OR TRANSMITTED IN ANY
 MANNER OR BY ANY MEANS, WITHOUT THE
 WRITTEN PERMISSION OF ENDURAPLAS LLC
 IN PROGRESS.

3 inch bolted - bottom drain fitting

NOTE: Allow +/- 1.5% Shrinkage

UNLESS OTHERWISE SPECIFIED:		NAME	DATE
DIMENSIONS ARE IN INCHES	DRAWN	DJS	11/20/15
FRACTIONS SHALL BE IN SIMPLEST FORM	CHECKED		
TWO PLACE DECIMAL	ENG APPR.		
THREE PLACE DECIMAL	MFG APPR.		
INTERFERE GEOMETRIC TOLERANCING FOR MATERIAL	D.A.		
DO NOT SCALE DRAWING	COMMENTS:		
NEET ASST	USED ON		
APPLICATION			

ENDURAPLAS LLC		SCALE	1:50WEIGHT:	SHEET 1 OF 1
TITLE:				
THC03000				
SIZE	DWG. NO.	REV		
C		1		