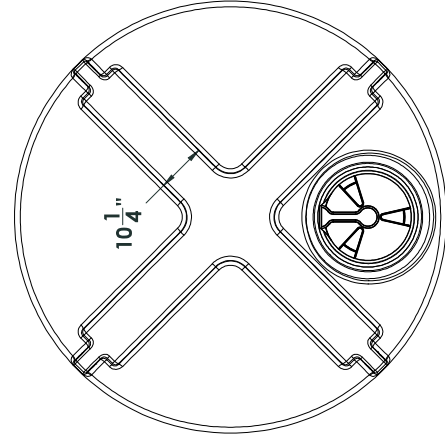
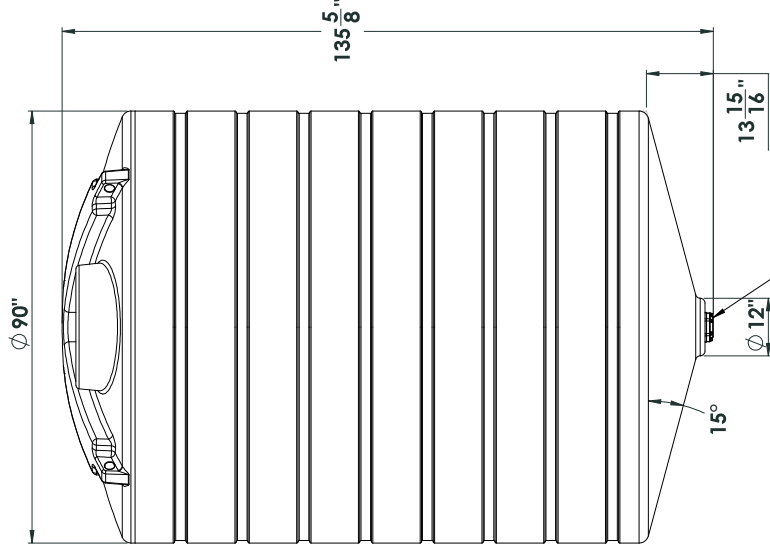


16 inch lid



10 1/4"



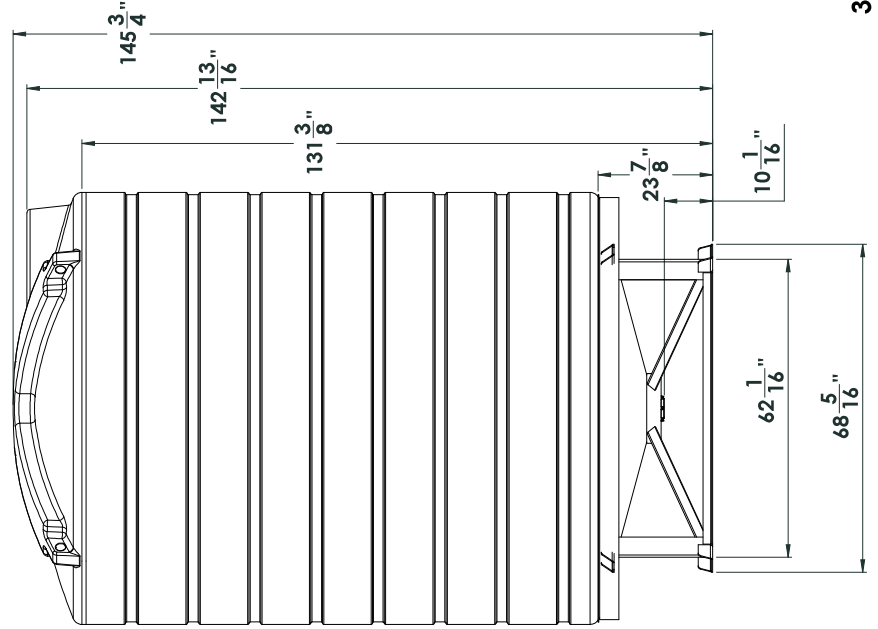
Ø 90"

135 5/8"

15°

Ø 12"

13 15/16"



145 3/4"

142 13/16"

131 3/8"

23 7/8"

10 1/16"

62 1/16"

68 5/16"

Shown with AZFC01200 stand

**NOTE: Allow +/- 1.5% Shrinkage**

UNLESS OTHERWISE SPECIFIED:		NAME	DATE	ENDURAPLAS LLC	
DIMENSIONS ARE IN INCHES	DRAWN	DJS	11/20/15	TITLE:	
FRACTIONS SHALL BE IN 16ths	CHECKED			THC03000	
DECIMALS SHALL BE TO 2 PLACES	ENG APPR.			SIZE DWG. NO.	
TWO PLACE DECIMAL	ENG APPR.			C	
THREE PLACE DECIMAL	ENG APPR.			REV	
INTERFERE GEOMETRIC TOLERANCES	D.A.			1	
INTERFERE GEOMETRIC TOLERANCES	COMMENTS:			SCALE: 1:50WEIGHT: SHEET 1 OF 1	
MATERIAL:					
FINISH:					
USED ON:					
APPLICATION:					
DO NOT SCALE DRAWING					

PROPERTY AND COPYRIGHT OF ENDURAPLAS LLC. THIS DRAWING IS THE SOLE PROPERTY OF ENDURAPLAS LLC. NO PARTS OR INFORMATION HEREIN MAY BE REPRODUCED OR TRANSMITTED IN ANY FORM OR BY ANY MEANS WITHOUT PERMISSION OF ENDURAPLAS LLC.

**3 inch bolted - bottom drain fitting**