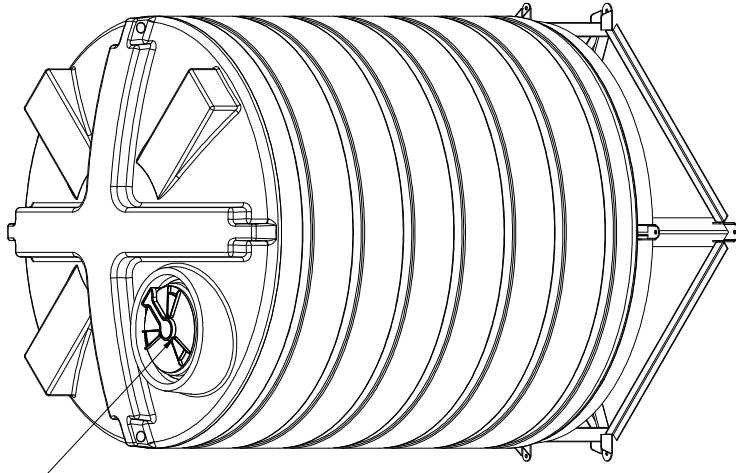
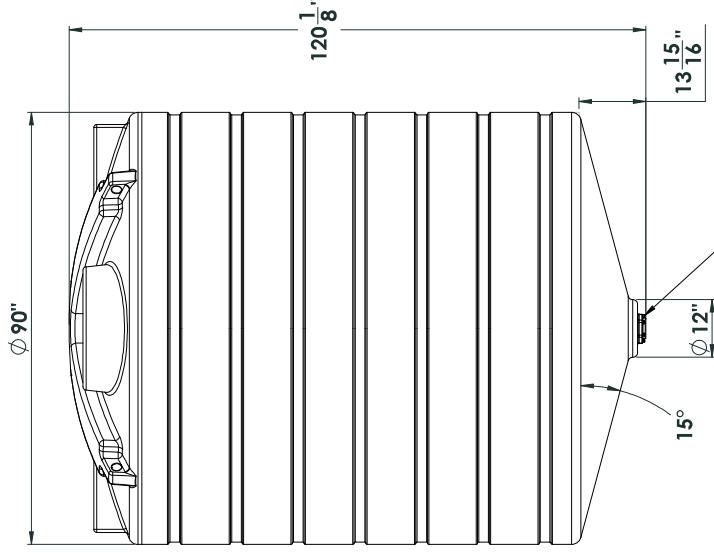
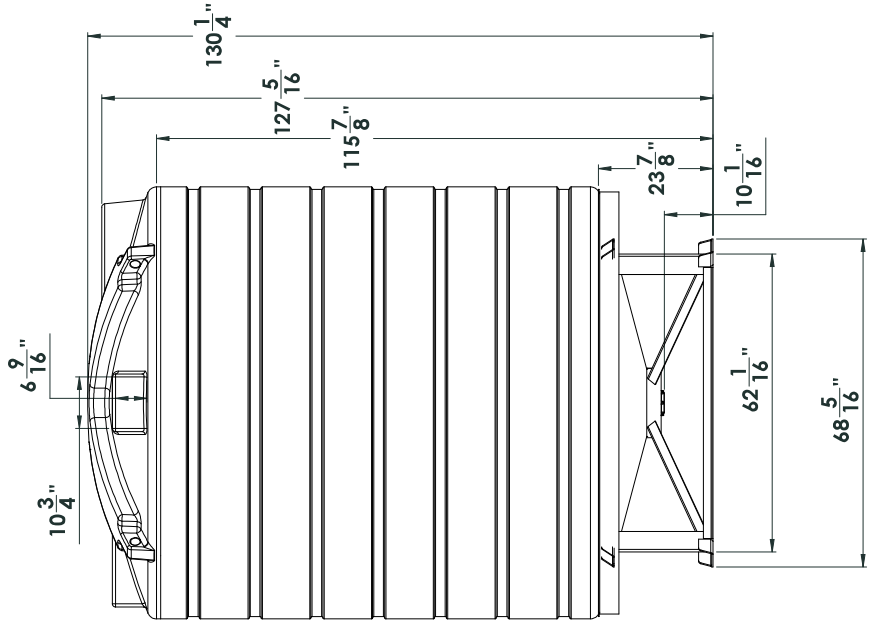


16 inch lid



Shown with AZFC01200 stand



3 inch bolted - bottom drain fitting

NOTE: Allow +/- 1.5% Shrinkage

UNLESS OTHERWISE SPECIFIED:		NAME	DATE
DIMENSIONS ARE IN INCHES	DRAWN		11/17/16
FRACTIONS: 1/8, 1/4, 3/8, 1/2, 5/8, 3/4, 7/8	CHECKED		
TOLERANCES: ±0.005	ENG APPR.		
TWO PLACE DECIMAL	ENG APPR.		
THREE PLACE DECIMAL	ENG APPR.		
INTERFER GEOMETRIC	G.A.		
FINISHING FOR:	COMMENTS:		
MATERIAL:			
INCH			
REF: ASST	USED ON:		
APPLICATION:			
DO NOT SCALE DRAWING			
TITLE:		ENDURAPLAS LLC	
SIZE DWG. NO.		THV02500	
REV	C	SCALE	1:50WEIGHT:
1			SHEET 1 OF 1

PROPERTY AND COPYRIGHT
 OF ENDURAPLAS LLC. THIS
 DRAWING IS THE SOLE PROPERTY OF
 ENDURAPLAS LLC. ALL RIGHTS ARE RESERVED.
 NO PARTS OR MATERIALS SHALL BE REPRODUCED
 OR TRANSMITTED IN ANY FORM OR BY ANY
 MEANS, ELECTRONIC OR MECHANICAL,
 INCLUDING PHOTOCOPYING, RECORDING,
 OR BY ANY INFORMATION STORAGE AND
 RETRIEVAL SYSTEM, WITHOUT PERMISSION OF
 ENDURAPLAS LLC.