

D

C

B

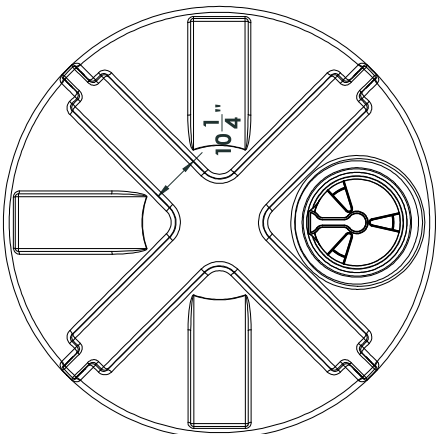
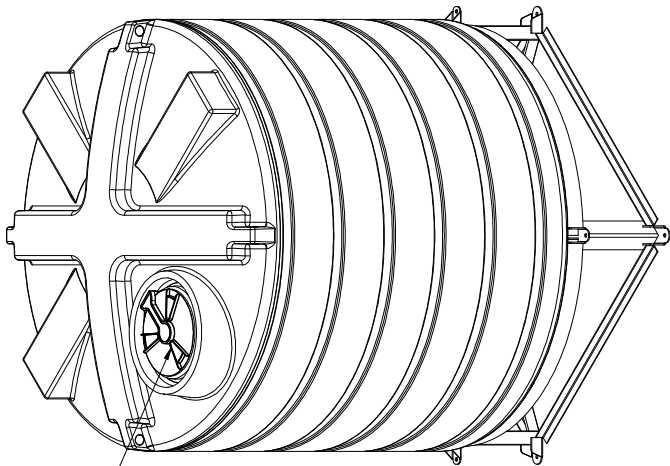
A

D

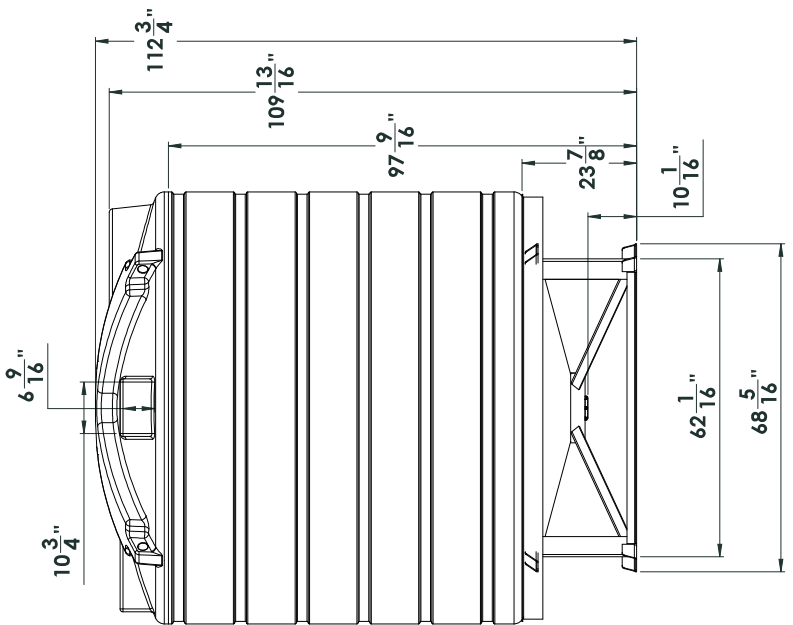
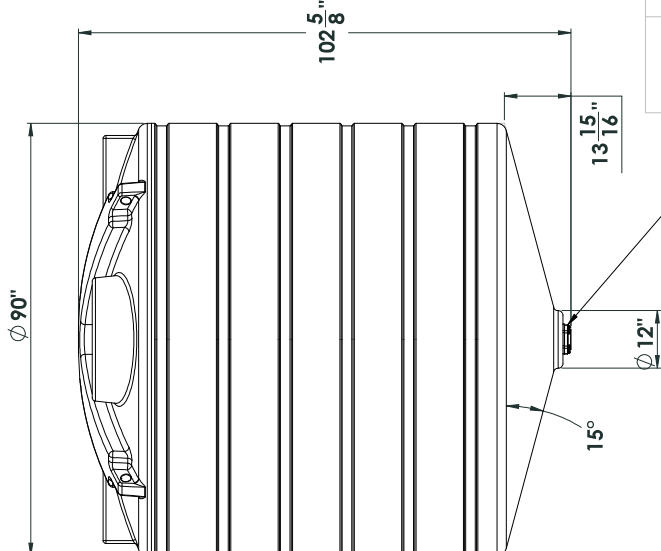
C

B

A



Shown with AZFC01200 stand



3 inch bolted - bottom drain fitting

NOTE: Allow +/- 1.5% Shrinkage

NAME	DATE	DRAWN	CHECKED	DATE
DNS	11/20/15			
UNLESS OTHERWISE SPECIFIED: DIMENSIONS ARE IN INCHES TOLERANCES: FRACTIONAL ± .015" MIN. DECIMAL ± .005" MIN. TWO PLACE DECIMAL ± .010" MIN. THREE PLACE DECIMAL ± .005" MIN. INTERFERE GEOMETRIC DIMENSIONS TO BE INDICATED FOR MATERIAL.				
COMMENTS:				
DO NOT SCALE DRAWING				
REVISION	DATE	BY	APP. BY	DESCRIPTION
1				

ENDURAPLAS LLC  
TITLE: THC02000  
SIZE: C  
DWG. NO.:  
REV: 1  
SCALE: 1:50 WEIGHT: SHEET 1 OF 1

PROPERTY AND COPYRIGHT  
THIS DRAWING IS THE SOLE PROPERTY OF  
ENDURAPLAS LLC. ALL RIGHTS ARE RESERVED.  
NO PART OF THIS DRAWING IS TO BE REPRODUCED  
OR TRANSMITTED IN ANY FORM OR BY ANY MEANS  
WITHOUT PERMISSION OF ENDURAPLAS LLC  
BY E-MAILING.

4

3

2

1

4

3

2

1