

D

C

B

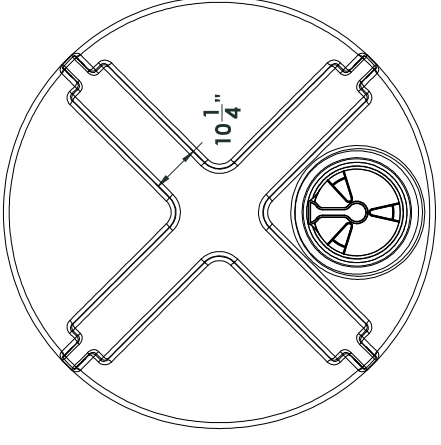
A

D

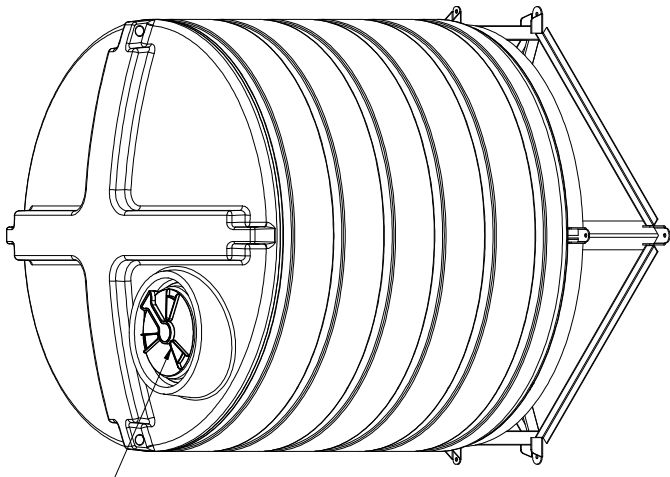
C

B

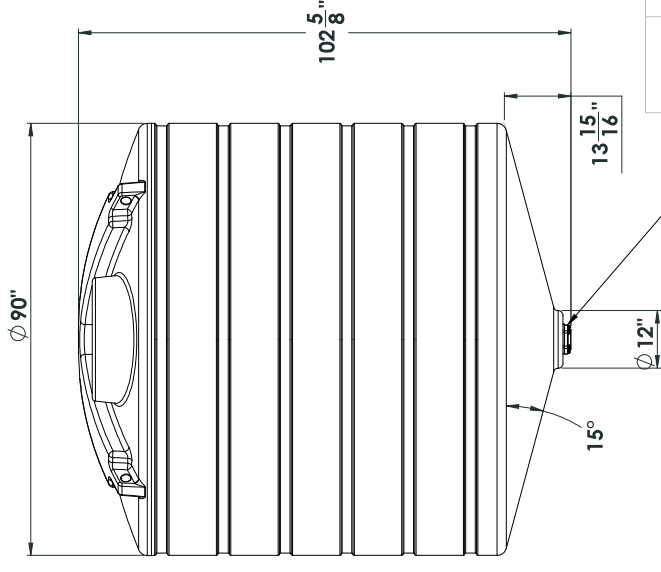
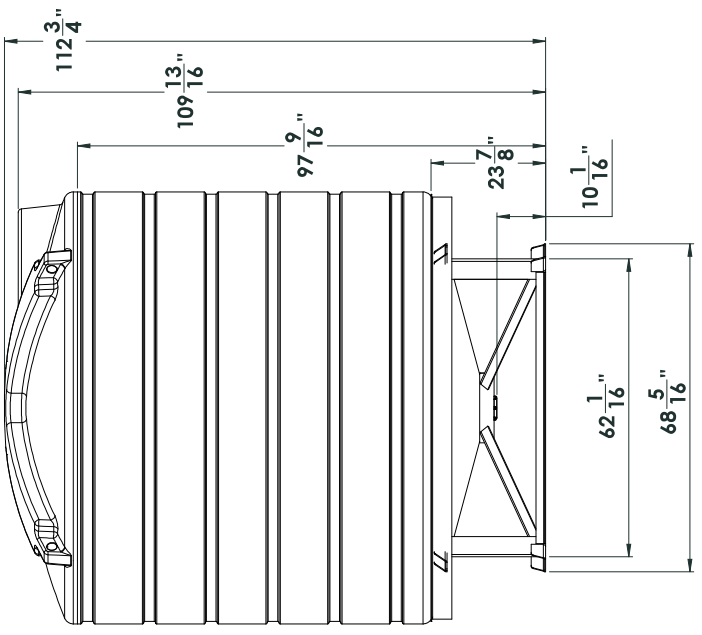
A



16 inch lid



Shown with AZFC01200 stand



3 inch bolted - bottom drain fitting

NOTE: Allow +/- 1.5% Shrinkage

NAME	DATE	DRAWN	CHECKED	DATE
DNS	11/20/15			
UNLESS OTHERWISE SPECIFIED: DIMENSIONS ARE IN INCHES TOLERANCES: FRACTIONAL ± .015 DECIMAL ± .005 TWO PLACE DECIMAL ± .005 THREE PLACE DECIMAL ± .001				
G.A. COMMENTS:				
INTERFERE GEOMETRIC DIMENSIONS FOR MATERIAL:				
DO NOT SCALE DRAWING				
REVISION	DATE	BY	APP. BY	DESCRIPTION
1				

PROJECT AND COMPANY:	ENDURAPLAS LLC
TITLE:	THC02000
SCALE:	1:50 WEIGHT:
SIZE:	DWG. NO. C
REV:	1
SHEET 1 OF 1	

PROPERTY AND COPYRIGHT
OF THE DRAWING IS THE SOLE PROPERTY OF
ENDURAPLAS LLC. NO PART OF THIS
DRAWING IS TO BE REPRODUCED OR
TRANSMITTED IN ANY FORM OR BY ANY
MEANS, ELECTRONIC OR MECHANICAL,
INCLUDING PHOTOCOPYING, RECORDING,
OR BY ANY INFORMATION STORAGE AND
RETRIEVAL SYSTEM, WITHOUT PERMISSION
IN WRITING FROM ENDURAPLAS LLC.

4

3

2

1

4

3

2

1