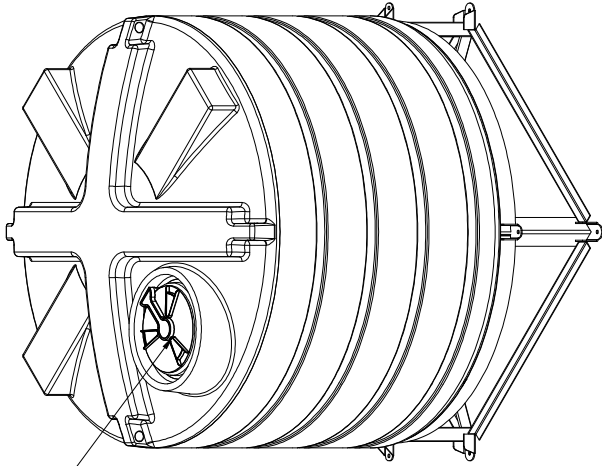


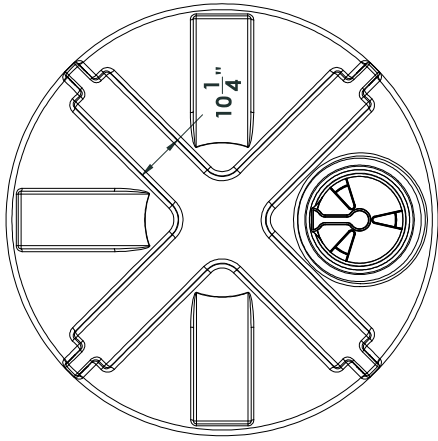
1 2 3 4

D C B A

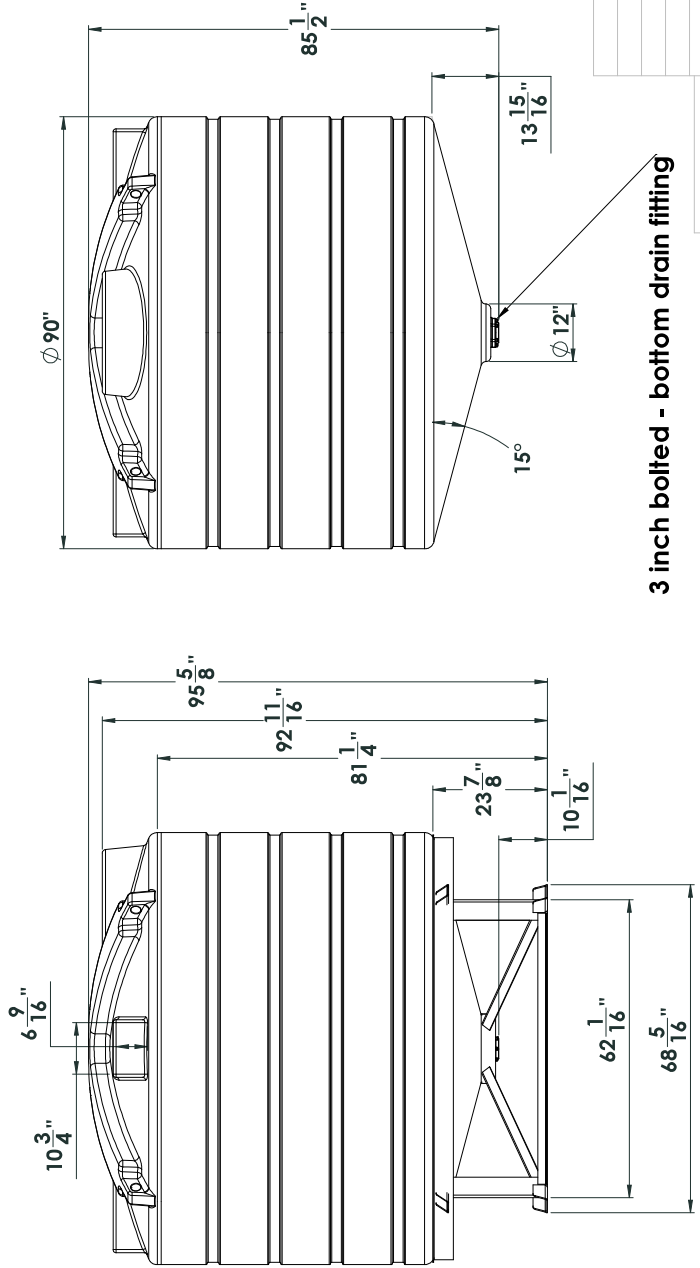


16 inch lid

Shown with AZFC01200 stand



10 1/4"



3 inch bolted - bottom drain fitting

NOTE: Allow +/- 1.5% Shrinkage

NAME	DATE	DRWN	CHKD	ENG	DATE
DNS	11/20/15				
UNLESS OTHERWISE SPECIFIED: DIMENSIONS ARE IN INCHES TOLERANCES: FRACTIONAL ± .015" MIN. DECIMAL ± .005" MIN. TWO PLACE DECIMAL ± .005" MIN. THREE PLACE DECIMAL ± .001" MIN. INTERFERE GEOMETRIC DIMENSIONS TO BE MAINTAINED MATERIAL					
COMMENTS:					
DO NOT SCALE DRAWING					
REVISION	DATE	BY	APP'D	DESCRIPTION	
1					

PROPERTY AND COPYRIGHT: THIS DRAWING IS THE PROPERTY OF ENDURAPLAS LLC. IT IS TO BE USED ONLY FOR THE PROJECT AND DRAWING NUMBER INDICATED. NO REPRODUCTION WITHOUT PERMISSION OF ENDURAPLAS LLC IS FORWARDED.		TITLE: THC01600	
SIZE	DWG. NO.	REV	
C		1	
SCALE: 1:50 WEIGHT:		SHEET 1 OF 1	

2 1

3 1

4 1