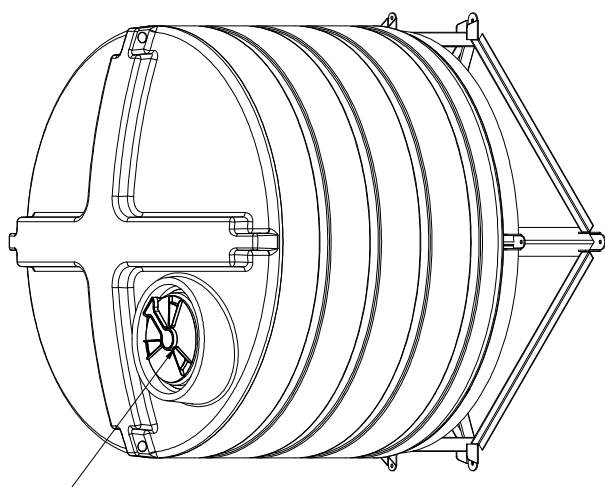
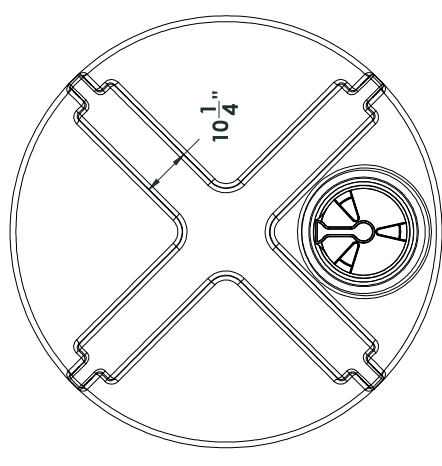


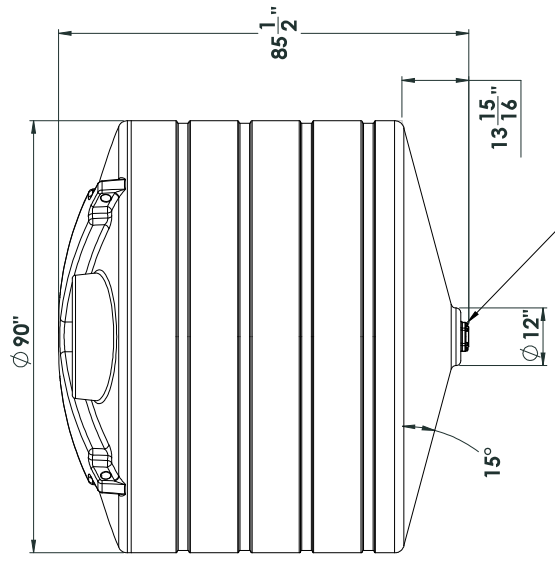
1 2 3 4 D C B A



Shown with AZFC01200 stand

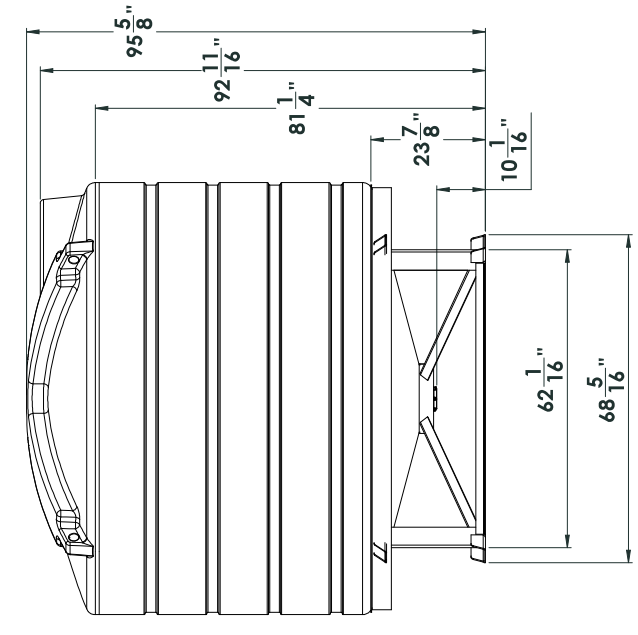


2 3 4



3 inch bolted - bottom drain fitting

3 4



D C B A

NOTE: Allow +/- 1.5% Shrinkage

| NAME | DATE | DESCRIPTION | REV |
|-----------------------------|----------|--------------------------|-----|
| ENDURAPLAS LLC | 11/20/15 | | 1 |
| TITLE: | | THC01600 | |
| DRAWN | | G.A. | |
| CHECKED | | COMMENTS: | |
| ENG APPR. | | SCALE: 1:50WEIGHT: | |
| MFG APPR. | | SHEET 1 OF 1 | |
| G.A. | | SIZE DWG. NO. C | |
| DO NOT SCALE DRAWING | | REVISIONS: | |
| UNLESS OTHERWISE SPECIFIED: | | DIMENSIONS ARE IN INCHES | |
| FRACTIONAL DIMENSIONS: | | TWO PLACE DECIMAL | |
| THREE PLACE DECIMAL: | | THREE PLACE DECIMAL | |
| INTERFERE GEOMETRIC | | MATERIAL: | |
| FINISH: | | USED ON: | |
| REPEAT ASY: | | APPLICATION: | |

PROPERTY AND COPYRIGHT
 OF ENDURAPLAS LLC. THIS
 DRAWING IS THE SOLE PROPERTY OF
 ENDURAPLAS LLC. NO PARTS MAY BE
 REPRODUCED OR TRANSMITTED IN
 ANY FORM OR BY ANY MEANS
 WITHOUT PERMISSION OF ENDURAPLAS LLC
 IN PROGRESS.

4 1 2 3 4