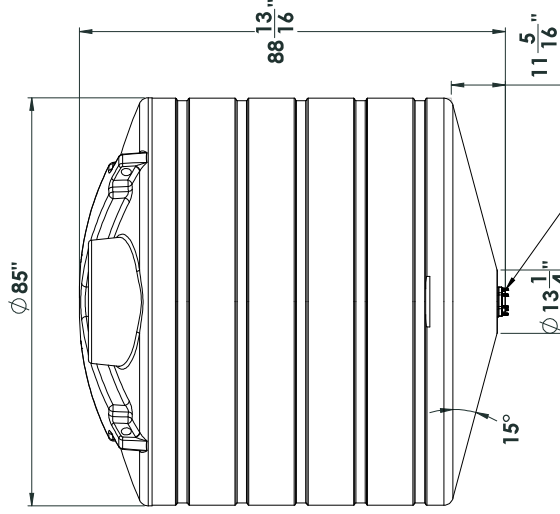
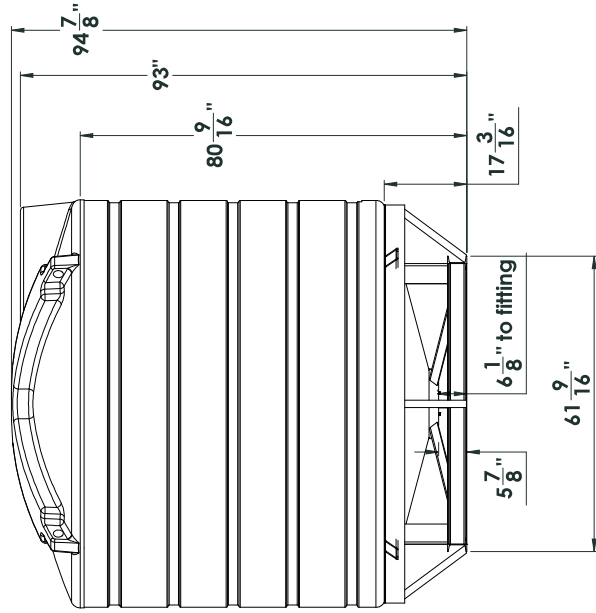


Shown with AZFC01350LP stand



3 inch bolted - bottom drain fitting



PROPERTY AND CONFIDENTIALITY NOTICE: THIS DRAWING IS THE SOLE PROPERTY OF ENDURAPLAS LLC AND IS NOT TO BE REPRODUCED OR TRANSMITTED IN ANY FORM OR BY ANY MEANS, WITHOUT PERMISSION OF ENDURAPLAS LLC.

UNLESS OTHERWISE SPECIFIED:		NAME	DATE	ENDURAPLAS LLC	
DRAWN	DMS	11/20/15	TITLE:		
CHECKED			THC01550		
ENG APPR.			SIZE DWG. NO.		
MEG APPR.			REV		
G.A.			SCALE: 1:1 WEIGHT: SHEET 1 OF 1		
COMMENTS:		C			
INTERFERE GEOMETRIC DIMENSIONING FOR:					
MATERIAL:					
FINISH:					
REF: ASST	USED ON:	APPLICATION:			
DO NOT SCALE DRAWING					