

D

C

B

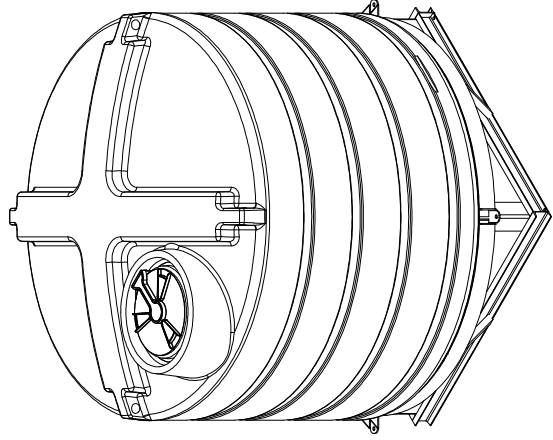
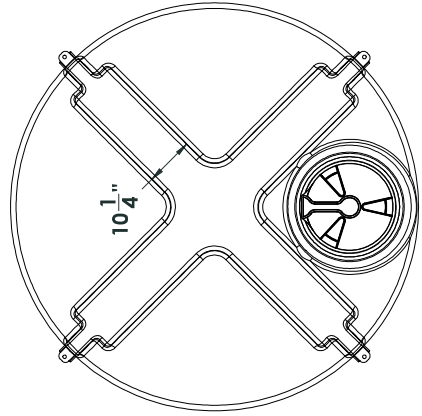
A

D

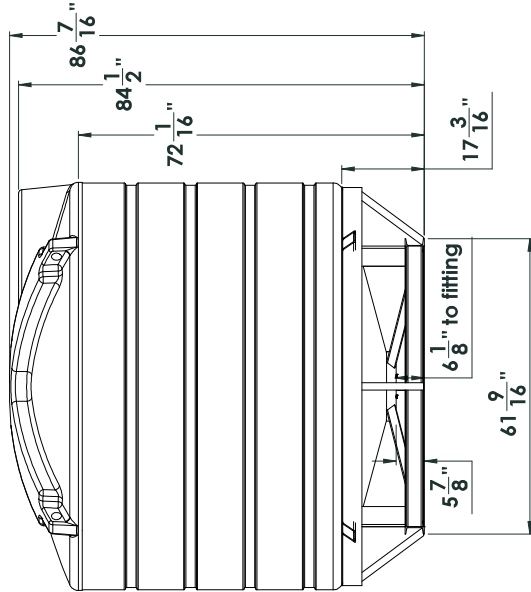
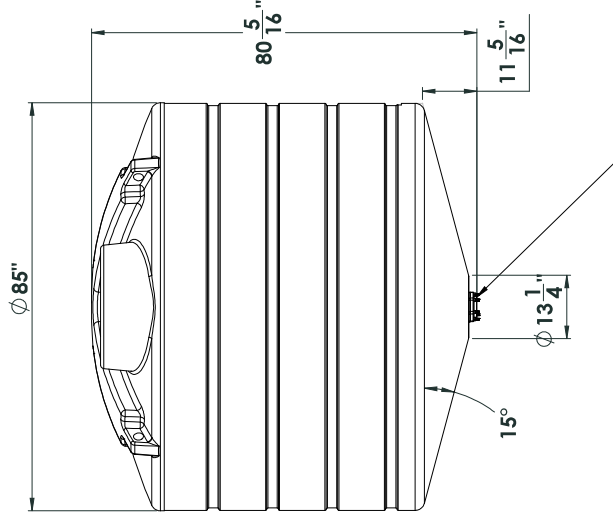
C

B

A



Shown with AZFC01350LP stand



3 inch bolted - bottom drain fitting

**NOTE: Allow +/- 1.5% Shrinkage**

UNLESS OTHERWISE SPECIFIED:		NAME	DATE	SIZE	REV
DIMENSIONS ARE IN INCHES	DRAWN	DJS	11/20/15		
FRACTIONAL DIMENSIONS TO BE PLACED ON ONE PLACE DECIMAL	CHECKED				
TWO PLACE DECIMAL DIMENSIONS TO BE PLACED ON TWO PLACE DECIMAL	ENG APPR.				
THREE PLACE DECIMAL DIMENSIONS TO BE PLACED ON THREE PLACE DECIMAL	ENG APPR.				
INTERFERE GEOMETRIC DIMENSIONS TO BE INDICATED FOR MATERIAL	G.A.				
DO NOT SCALE DRAWING	COMMENTS:				
REF: EAST	USED ON:				
APPLICATION:					
TITLE:		ENDURAPLAS LLC			
PART NO.:		THC01350			
SCALE:		1:50 WEIGHT:			
SHEET NO.:		1			
SHEET TOTAL:		1			

PROPERTY AND CONFIDENTIAL INFORMATION OF ENDURAPLAS LLC. THIS DRAWING IS THE SOLE PROPERTY OF ENDURAPLAS LLC. IT IS TO BE USED ONLY FOR THE PROJECT AND SITE SPECIFICALLY IDENTIFIED HEREIN. NO PARTS OR MATERIALS ARE TO BE REPRODUCED OR TRANSMITTED IN ANY FORM OR BY ANY MEANS, WITHOUT PERMISSION OF ENDURAPLAS LLC.

2

3

4

2

3

4

1

1