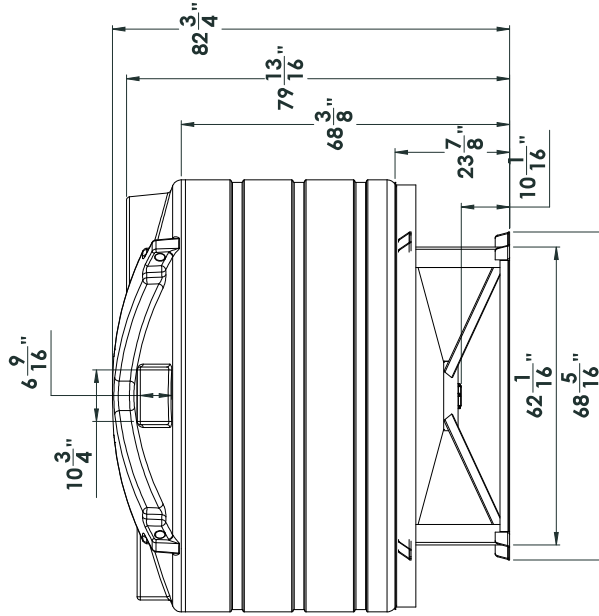


16 inch lid

D

C



Ø 90"

Shown with AZFC01200 stand

B

3 inch bolted - bottom drain fitting

NOTE: Allow +/- 1.5% Shrinkage

UNLESS OTHERWISE SPECIFIED:		NAME	DATE
DIMENSIONS ARE IN INCHES	DRAWN	DJS	11/20/15
FRACTIONAL DIMENSIONS TO NEAREST 1/16"	CHECKED		
TWO PLACE DECIMAL DIMENSIONS TO NEAREST 0.01"	ENG APPR.		
THREE PLACE DECIMAL DIMENSIONS TO NEAREST 0.001"	ENG APPR.		
INTERFERE GEOMETRIC DIMENSIONS TO NEAREST 0.001"	G.A.		
INTERFERE GEOMETRIC DIMENSIONS TO NEAREST 0.001"	COMMENTS:		
DO NOT SCALE DRAWING	REVISION		
	DATE		
	BY		
	APP. NO.		
	REV		
	SCALE	1:50 WEIGHT:	SHEET 1 OF 1

ENDURAPLAS LLC

TITLE:

THC01200

SIZE DWG. NO. **C**

REV **1**

SCALE: 1:50 WEIGHT:

SHEET 1 OF 1

PROPERTY AND COPYRIGHT
 THIS DRAWING IS THE SOLE PROPERTY OF
 ENDURAPLAS LLC. IT IS TO BE USED ONLY
 FOR THE PROJECT AND SITE SPECIFIC
 INTENDED PURPOSES AND NOT TO BE
 REPRODUCED OR TRANSMITTED IN ANY
 FORM OR BY ANY MEANS, ELECTRONIC
 OR MECHANICAL, INCLUDING PHOTOCOPYING,
 RECORDING, OR BY ANY INFORMATION
 STORAGE AND RETRIEVAL SYSTEM,
 WITHOUT PERMISSION OF ENDURAPLAS LLC
 IN WRITING.

D

C

B

A

1

2

3

4

1

2

3

4