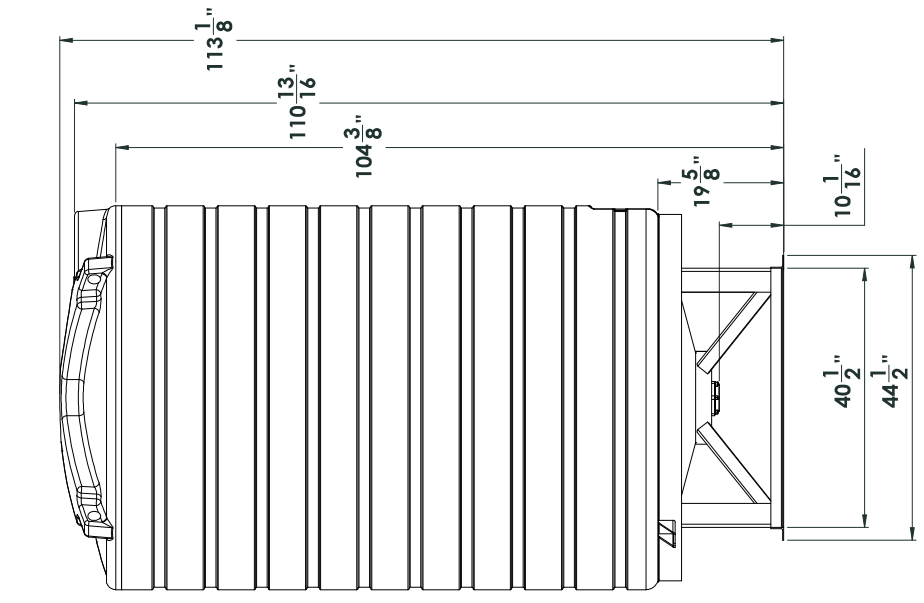
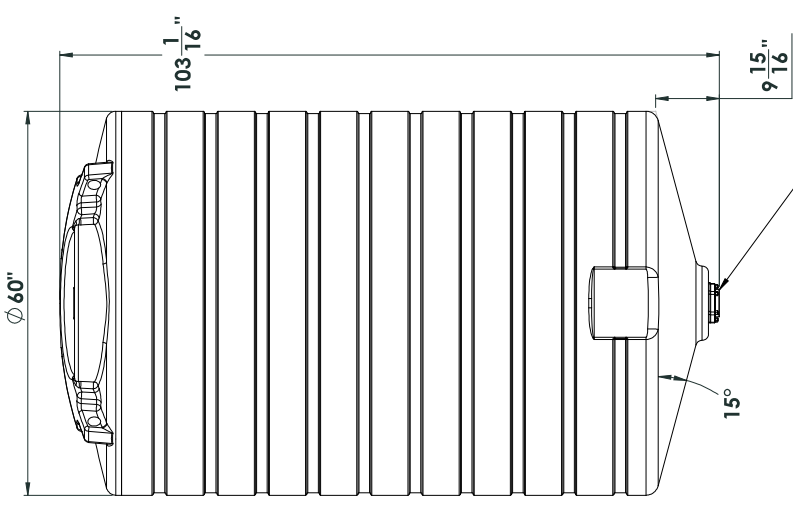
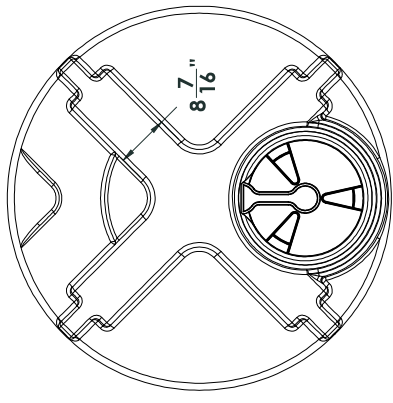


16 inch lid



Shown with AZFC00550 stand

3 inch bolted - bottom drain fitting

NOTE: Allow +/- 1.5% Shrinkage

NAME	DATE	DRWN	CHKD	ENG APPR	MFG APPR	G.A.	COMMENTS
ENDURAPLAS LLC	11/27/15						
UNLESS OTHERWISE SPECIFIED: DIMENSIONS ARE IN INCHES TOLERANCES: FRACTIONAL ± .010 DECIMAL ± .005 THREE PLACE DECIMAL ± .001 INTERPRET GEOMETRIC TOLERANCING PER ASME Y14.5 MATERIAL: FINISH							
REV	DATE	DESCRIPTION					
1		THC01100					
SCALE: 1:50 WEIGHT: SHEET 1 OF 1							

PROPERTY AND COPYRIGHT OF ENDURAPLAS LLC. THIS DRAWING IS THE SOLE PROPERTY OF ENDURAPLAS LLC. IT IS TO BE USED ONLY FOR THE PROJECT AND NOT TO BE REPRODUCED OR TRANSMITTED IN ANY FORM OR BY ANY MEANS, WITHOUT PERMISSION OF ENDURAPLAS LLC.