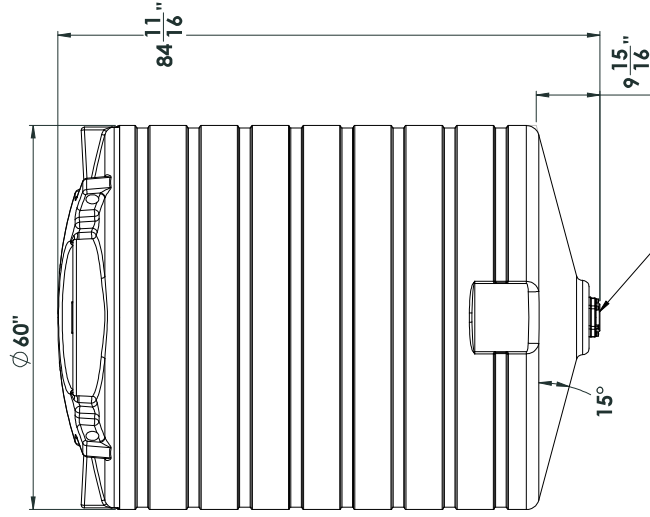
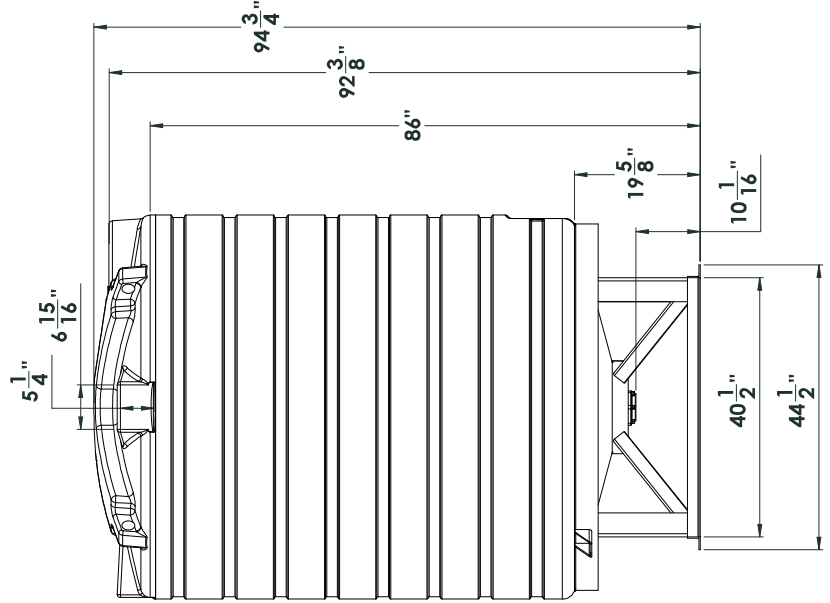
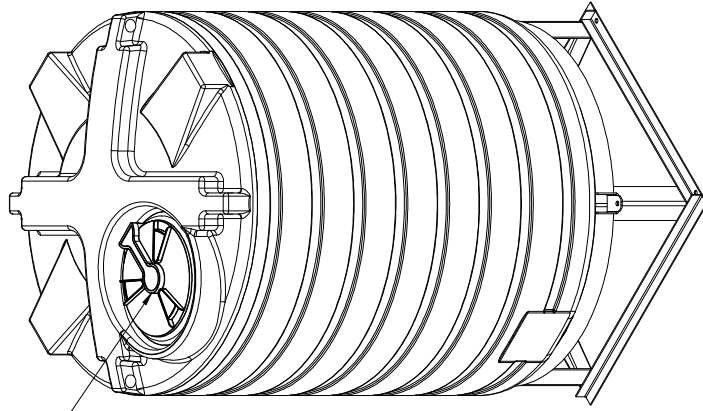


16 inch lid



Shown with AZFC00550 stand

3 inch bolted - bottom drain fitting

**NOTE: Allow +/- 1.5% Shrinkage**

UNLESS OTHERWISE SPECIFIED:	NAME	DATE	DIS	ENDURAPLAS LLC
TOLERANCES ARE IN INCHES		1/26/17		
FRACTIONAL DIMS	DRAWN			
DECIMAL DIMS	CHECKED			
TWO PLACE DECIMAL	ENG APPR.			
THREE PLACE DECIMAL	ENG APPR.			
INTERFERE GEOMETRIC	G.A.			
CONFLICTING DIMS	COMMENTS:			
MATERIAL				
FINISH				
USED ON				
REPT ASST				
APPLICATION				
DO NOT SCALE DRAWING				
TITLE:	THC00870			
SIZE	C			
REV	1			
DWG. NO.	THC00870			
SCALE	1:20 WEIGHT:			
SHEET	1 OF 1			

PROPERTY AND COPYRIGHT  
 OF ENDURAPLAS LLC. THIS  
 DRAWING IS THE SOLE PROPERTY OF  
 ENDURAPLAS LLC. ANY REPRODUCTION  
 OR TRANSMISSION OF THIS DRAWING  
 WITHOUT PERMISSION OF ENDURAPLAS LLC  
 IS PROHIBITED.