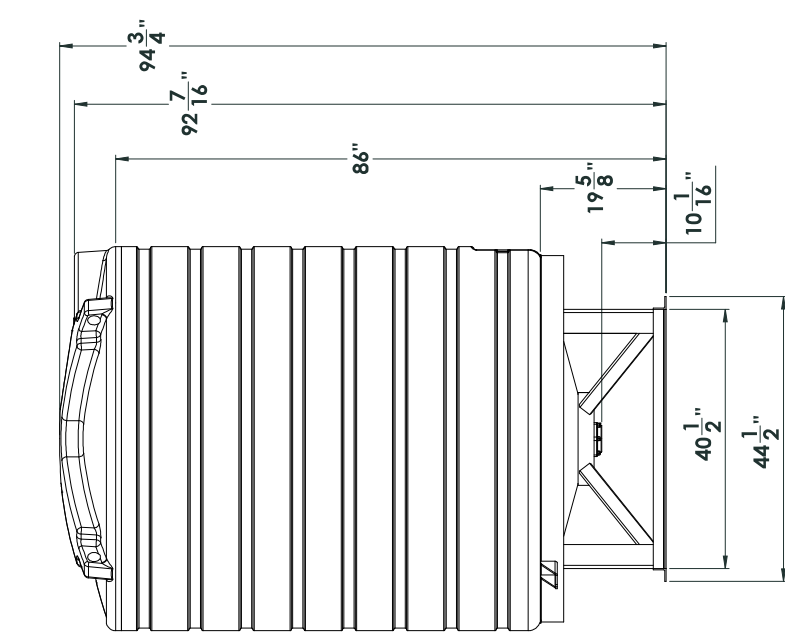
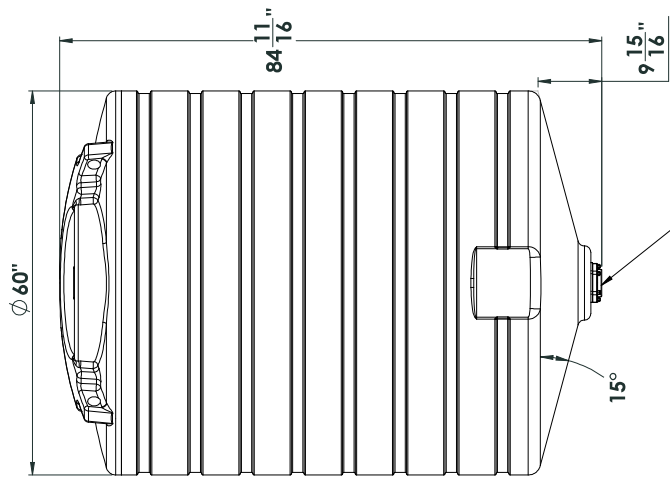
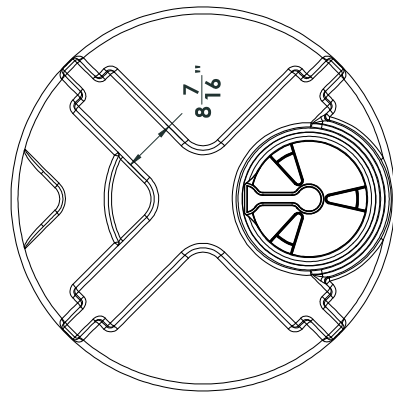


16 inch lid



Shown with AZFC00550 stand

NOTE: Allow +/- 1.5% Shrinkage

| NAME | DATE | DRWN | CHKD | DATE |
|-----------------------------|----------|---------------------------|------|------|
| | 1/26/17 | | | |
| UNLESS OTHERWISE SPECIFIED: | | | | |
| DIMENSIONS ARE IN INCHES | | | | |
| TOLERANCES: | | | | |
| FRACTIONAL ± .005 | | | | |
| DECIMAL ± .005 | | | | |
| HOLE ± .005 | | | | |
| TWO PLACE DECIMAL ± .005 | | | | |
| THREE PLACE DECIMAL ± .001 | | | | |
| G.A. | | | | |
| COMMENTS: | | | | |
| INTERFERE GEOMETRIC | | | | |
| DIMENSIONS FOR: | | | | |
| MATERIAL: | | | | |
| FINISH: | | | | |
| DO NOT SCALE DRAWING | | | | |
| REV | DATE | DESCRIPTION | | |
| 1 | | ENDURAPLAS LLC | | |
| TITLE: | | | | |
| THC00870 | | | | |
| SIZE | DWG. NO. | SCALE | | |
| C | | 1:20 WEIGHT: SHEET 1 OF 1 | | |

3 inch bolted - bottom drain fitting

PROPERTY AND COPYRIGHT:
 THIS DRAWING IS THE PROPERTY OF
 ENDURAPLAS LLC. IT IS TO BE USED
 ONLY FOR THE PROJECT AND NOT TO BE
 REPRODUCED OR TRANSMITTED IN
 ANY FORM OR BY ANY MEANS, WITH
 OR WITHOUT PERMISSION OF ENDURAPLAS
 LLC.