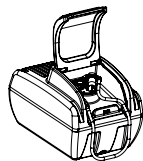


**DEF
FUEL BOSS™**



**DIESEL
FUEL BOSS™**





OWNER'S MANUAL



Product Codes:

REU025C09S, REU055C09S, REU075N09S,
REU100S09S, RDU025C10D, RDU055C10D,
RDU075N10D, RDU100S10D

CONTENTS

INTRODUCTION	3
<hr/>	
WARNINGS - DEF 	4
<hr/>	
WARNINGS - DIESEL 	5
<hr/>	
GETTING STARTED	6 - 8
<hr/>	
MAINTAINING	9 & 10
<hr/>	
TROUBLESHOOTING	11 & 12
<hr/>	
WARRANTY	13 - 16
<hr/>	
REGISTERING WARRANTY	17
<hr/>	
PARTS BREAKDOWNS - DEF	18 & 19
<hr/>	
PARTS BREAKDOWNS - DIESEL	20 & 21

INTRODUCTION

Congratulations! You now own an Enduraplas refueling unit. Durable design and construction assure you a lifetime of extreme performance. No refueling unit is tougher. No refueling unit will last longer.

Take a look through this owner's manual to learn how the pros use their Enduraplas refueling unit.

Order Genuine Enduraplas Parts & Accessories:

parts.enduraplas.com



Watch Instruction Videos:

www.youtube.com/enduraplas

Discover More Helpful Tips:

blog.enduraplas.com/refueling

DEF FUEL BOSS™

WARNINGS

1. Do not exceed vehicle manufacturers loading, towing or lifting specifications and regulations.
2. Ensure tank is firmly secured in an appropriate manner.
3. Use care to keep DEF free from any contaminants such as fuel, oil, detergent, dust, etc.
4. Comply with chemical manufacturers safety requirements and all relevant legislations.
5. ALWAYS keep tank tightly covered, to prevent children or animals from entering tank.
6. Tank is not fire resistant. NEVER expose it to open flame or heat.
7. Keep sharp objects from tank. Tank could be punctured and contents could escape and cause injury to persons or property.
8. Any spillage should be cleaned up immediately and materials used in the clean-up should be disposed of safely and in accordance with any relevant local regulations. DEF IS VERY CORROSIVE.
9. In case of contact with: Eyes - Flush with plenty of water, seek medical attention. Skin - Wash with soap and water. Swallowed - Rinse mouth with water, do not induce vomiting, seek medical attention.
10. DEF should be stored at temps between 12°F/-11°C and 86°F/30°C.
11. Use ONLY DEF that is API certified or has the ISO 22241 label.
12. DEF has a shelf life of up to 2 years. This can be greatly reduced if it is stored in direct sunlight or at temps above 77°F/25°C for long periods of time.

DIESEL FUEL BOSS™

WARNINGS

1. Do not exceed vehicle manufacturers loading, towing or lifting specifications and regulations.
2. Ensure tank is firmly secured in an appropriate manner.
3. Use caution at all times, particularly when driving on rough terrain.
4. Comply with chemical manufacturers safety requirements and all relevant legislations.
5. ALWAYS keep tank tightly covered, to prevent children or animals from entering tank.
6. Tank is not fire resistant. NEVER expose it to open flame or heat.
7. Keep sharp objects from tank. Tank could be punctured and contents could escape and cause injury to persons or property.
8. Any spillage should be cleaned up immediately and materials used in the clean-up should be disposed of safely and in accordance with any relevant local regulations.
9. In case of contact with: Eyes - Flush with plenty of water, seek medical attention. Skin - Wash with soap and water. Swallowed - Rinse mouth with water, do not induce vomiting, seek medical attention.
10. Store diesel transfer tank in a well ventilated open area. The storage shall not be in proximity to any heating or ignition source.
11. Waste material or residues shall NOT be permitted to remain in or around areas in which diesel is stored or decanted.

GETTING STARTED

Mounting in Truck

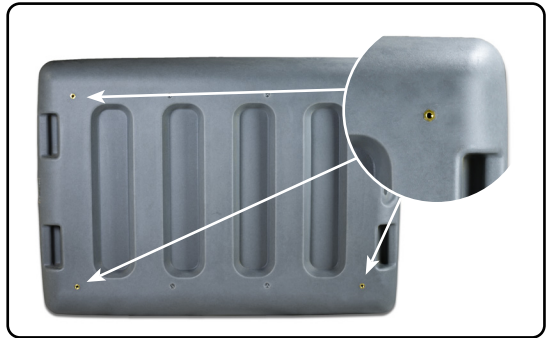
OPTION 1:

For a temporary option, use 2 ratchet straps and the molded-in strap grooves to tie the unit down.



OPTION 2:

For a permanent option, use the four molded-in inserts in the base of the tank. You can bolt this to a wood or steel frame for forking in and out of truckbed.

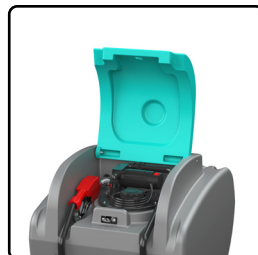


Watch Instruction Videos:
www.youtube.com/enduraplas

Discover More Helpful Tips:
blog.enduraplas.com/refueling

GETTING STARTED**Setting up Refueling Unit**

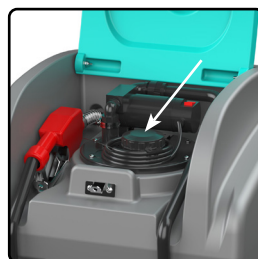
1) Open lid and unwrap battery cables.



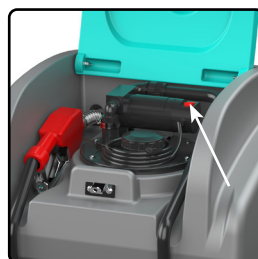
2) Route battery cables up to battery on vehicle and hookup black clip to negative and red clip to positive battery terminals.



3) Remove fill cap and put fuel in unit through fill port.

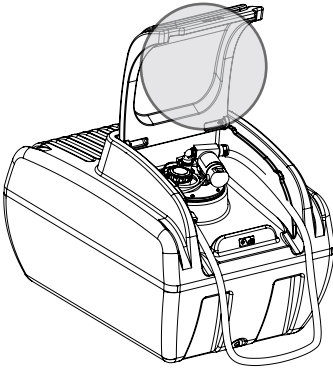


4) Unit should be ready to turn on pump and discharge fuel using automatic shutoff nozzle.

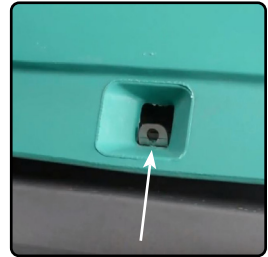


GETTING STARTED

Locking the Lid



1) Slightly lift up the lid so you can insert the shackle through the hole in the lock tab. This will allow room to get the lock shackle slid into position.



2) Insert the shackle through the hole from behind.



3) Push the lid completely shut and insert the shackle into the padlock to lock your transfer tank.



MAINTAINING

<p>The information applies in normal operating conditions. The specific intervals must be shortened accordingly for longer daily working hours. If the machine is only used occasionally, the intervals can be extended accordingly.</p>	Before starting work	X											
	Complete machine	Visual inspection (condition, leaks)		X									
		Clean			X								
	Tank, hoses and fittings	Clean			X								
		Clean											
	Dispensing Nozzle	Replace											X
		Retighten											
	All accessible screws and nuts	Replace											X
Safety labels	Maintain											X	
Pump													
Read and follow all maintenance and care instructions in the Pump manual.													



Watch Instruction Videos:
www.youtube.com/enduraplas

Discover More Helpful Tips:
blog.enduraplas.com/refueling

TROUBLESHOOTING

CONDITION	POSSIBLE CAUSE	REMEDY
Pump does not run	1) No electrical power to pump	1) Check electrical connections, extension cable (if applicable) and fuse.
Pump runs slowly with low fuel flow	1) Low voltage supply	1) Test power supply and ensure adequate voltage.
Pump runs, but no fuel delivery	1) Tank level too Low 2) Clogged suction line or filter 3) Air leak in suction side 4) Dispensing nozzle malfunctioning 5) Damaged rotor/ vanes 6) Pump is not priming	1) Add fuel to tank 2) Clean suction line and filters. 3) Check all fittings for leaks - tighten clamps. 4) Remove nozzle from hose and test pump. 5) Remove end cover by first undoing the three socket head screws and lifting off cover. Inspect for damage. 6) With pump running, pull handle on discharge nozzle and lower nozzle below level of pump to let gravity allow the fuel to start flowing

CONDITION	POSSIBLE CAUSE	REMEDY
Pump makes squealing/scratching sound while running	1) Dirt or debris entering pump chamber	1) Remove end cover by first undoing the three socket head screws and lifting off cover. Clean impeller and vanes taking care to remove any particles caught between the ends of the vanes and the housing. Take care not to over tighten screws when reassembling.

WARRANTY

1. Poly Tank Limited Warranty - Subject to other terms in this Limited Warranty, Manufacturer warrants to the original end user that this Tank will be free from material defects caused during the manufacturing process for a period of 5 years from the Purchase Date provided such warranty to the original end user shall be extended to 10 years from the Purchase Date if the original end user registers the Tank with Manufacturer within 30 days of the Purchase Date. To register the Limited Warranty, registration must be completed in accordance with the requirements set forth at enduraplaswarranty.com

Other Products and Parts Limited Warranty - Subject to other terms in this Limited Warranty, Manufacturer warrants to the original end user that products and parts manufactured by Manufacturer (other than tanks) will be free from material defects caused during the manufacturing process for a period of 1 year from the Purchase Date unless otherwise expressly stated in writing by Manufacturer that an extended warranty applies.

2. Other Warranties Disclaimed and Excluded

THERE ARE NO WARRANTIES, EXPRESS OR IMPLIED, WHICH EXTEND BEYOND THE LIMITED WARRANTY HEREIN STATED, AND MANUFACTURER EXPLICITLY DISCLAIMS AND EXCLUDES ANY AND ALL OTHER WARRANTIES INCLUDING BUT NOT LIMITED TO WARRANTIES OF MERCHANTABILITY, FITNESS FOR PARTICULAR PURPOSE, CUSTOM OR USAGE OF TRADE, AND COURSE OF DEALING. NO AGENT, EMPLOYEE OR REPRESENTATIVE OF MANUFACTURER HAS AUTHORITY TO BIND MANUFACTURER TO ANY REPRESENTATION OR WARRANTY EXCEPT AS STATED IN THIS LIMITED WARRANTY.

WARRANTY

3. Limitation of Liability under the Limited Warranty - In addition to those warranties disclaimed and excluded in clause 2 above, Manufacturer expressly further limits its warranty and liability under the Limited Warranty as set forth below in this clause 3.
 - 3.1. The liability of Manufacturer under this Limited Warranty is excluded to the extent that any defect has been caused or contributed to by:
 - a) any accident, contamination, tampering, willful damage, abuse, modification, improper storage, improper use (including but without limitation the storage of material) or negligent act of, or omission by, any person other than Manufacturer;
 - b) the improper installation of the Goods, or deterioration of the base on which any of the Goods rest or are mounted to;
 - c) any damage to the Goods caused by storm, wash away, landslide, mudslide, lightning, or any other natural phenomenon, vermin or other pests, and any undermining of the base of the Tank through any cause whatsoever;
 - d) the repositioning of the Goods from their original installation;
 - e) weathering or degradation of the Goods due to extreme climatic conditions;
 - f) improper installation of extra fittings;
 - g) any staining or discoloration, including from trees or ash fall-out from fires or other causes;
 - h) a Tank not being placed on a base that is free of any protruding objects of any kind;
 - i) a Tank being used for any purpose other than the storage of suitable liquids at the ambient temperatures.

WARRANTY

3.2. Without limiting the generality of clause 3.1:

- a) Manufacturer will not be liable for any personal injury, indirect or incidental damages, consequential losses, loss of liquids, loss of profit or any like claims whatsoever arising from any use of, or incidental to, or repairs to any of the Goods by a party other than Manufacturer;
- b) to the extent that any component or material (including, but without limitation the polyethylene) used in the manufacture of any of the Goods is supplied and/or manufactured by a third party, the liability of Manufacturer is limited to Manufacturer's right of redress (if any) against the third-party supplier/manufacturer;
- c) Tanks feature a vented lid at the time of manufacture. Any subsequent pressurization of the Tank by removing the vent, sealing the vent, or otherwise will cause this Limited Warranty as to such Tank to be null and void.
- d) The liability of Manufacturer under this Limited Warranty is limited to, at Manufacturer's discretion:
- e) providing a replacement Good (including shipping but excluding other replacement costs);
- f) refunding an amount equal to a sum equal to the current Retail price divided by the months in the warranty, multiplied by the months remaining in the warranty period;
- g) repairing the Good at no cost.

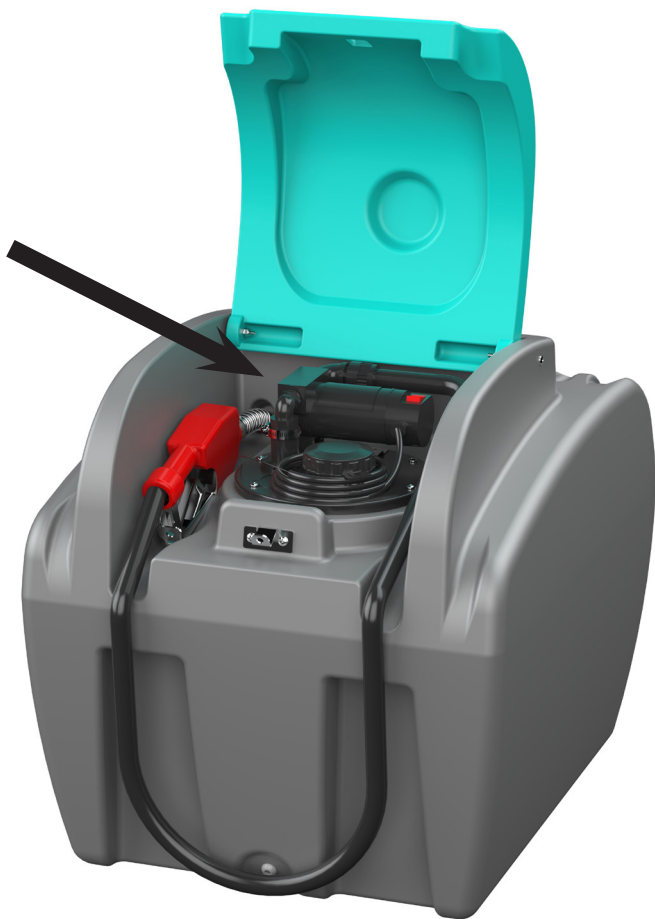
4. Proof of Purchase - The original invoice or other similar proof of purchase of the applicable must be provided by Purchaser to Manufacturer when making a claim under this Limited Warranty. Warranty claims must be received in writing by Manufacturer within the Limited Warranty period.

WARRANTY

5. Claims and Questions - If you have questions about this Limited Warranty or to make a warranty claim, contact Manufacturer at: customercare@enduraplas.com
6. Definitions - For this Limited Warranty the following definitions apply:
 - a) Manufacturer means Enduraplas LLC.
 - b) Purchase Date means the date upon which the applicable goods were purchased by the original end user.
 - c) Purchase Price means the actual price paid for the Tank by the original Purchaser.
 - d) Tank means the storage Tank manufactured by Manufacturer and purchased by the original end user Purchaser being the subject matter of the Limited Warranty.
 - e) Good(s) mean Tanks and/or other products or parts manufactured by Enduraplas LLC.
 - f) Limited Warranty means this written Limited Warranty.
7. State Law - Some states do not allow the exclusion or limitation of incidental or consequential damages, so the above limitation and exclusion may not apply to certain parties. Some states do not allow limitation on how long an implied warranty lasts, so the above limitation may not apply to certain parties. This limited warranty gives specific legal rights and other rights, which vary from state to state, may also apply.
8. Governing Law - This Limited Warranty will be governed by the laws of the State of Minnesota, without giving effect to any choice of law rule that would cause the application of the laws of any other jurisdiction.

REGISTERING WARRANTY

Serial Number Location

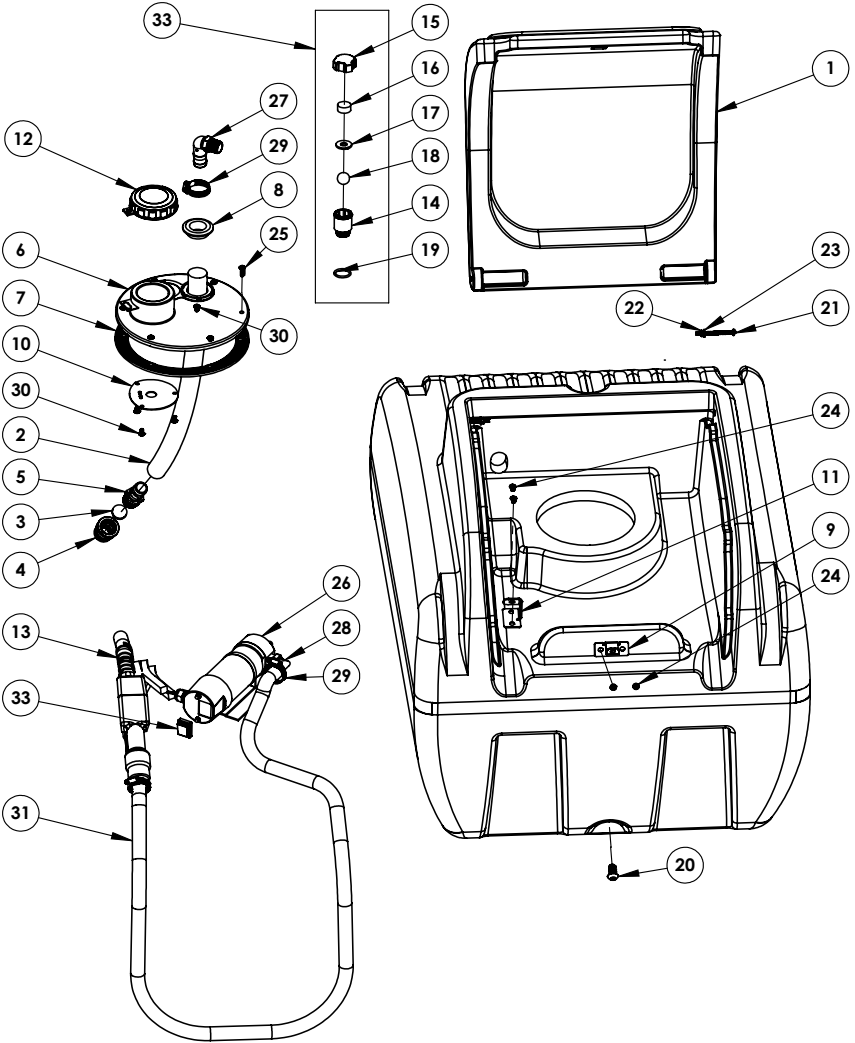


How to Activate

To double your 5-year tank warranty, visit enduraplaswarranty.com and register this product.

DEF OVERVIEW

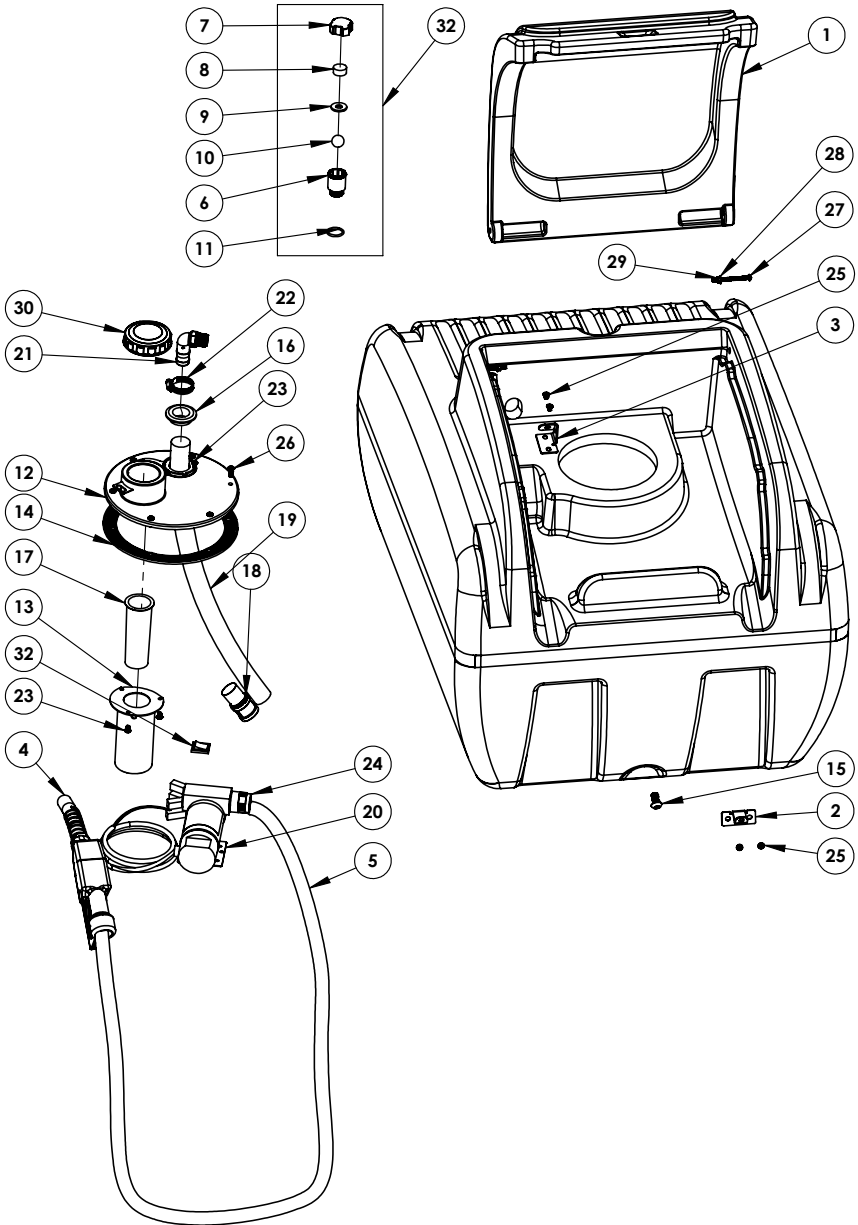
DEF FUEL BOSS™



PARTS LIST

ITEM NO.	PART #	DESCRIPTION	QTY.
1	AMRDPCFG	Diesel-DEF Lid Green	1
2	CLUPTC09005	1 PVC Suction Hose	1
3	CPFE01	Strainer Washer PVC Seal 1.14 OD	1
4	CFSR05F04F	304 SS 1 to .75 NPT Female Reducing	1
5	CFPS05M05B	1 Hose Barb	1
6	CELS01	SS Cast 275MM Lid	1
7	CEGE03	277 x 4MM Ribbed Adblue Gasket	1
8	CEGE01	1 Rapidseal for Adblue EPDM	1
9	AZKR0001	DIESEL DEF TANK COVER LATCH REV 4	1
10	AZKR0003	DEF RESTRICTOR PLATE	1
11	AZKR0004	DIESEL DEF TANK NOZZLE BRACKET REV 2	1
12	CECS01	Rapid Blue Cap Assembly with SS Chain	1
13	CENPA01	Adblue Poly Auto Nozzle .75BSPP	1
14	CEBP01	Breather Base	1
15	CEBP01	Breather Top	1
16	CDBF	Foam Filter-Breather	1
17	CDGN02	32x14x4 Breather O-Ring	1
18	CEBP01	Polypropylene Ball for Breather	1
19	CDON04	O-Ring for Breather	1
20	CHMS050523A	1/2 x 1 Panhead hex drive bolt	1
21	CHMZ011325	.25 x 3 Panhead phillips	2
22	CHNZN0125	1/4 Nylock nut	2
23	CHWSF013	1/4" SS Flat Washer	2
24	CHMS010123	.25 x .375 SS Panhead Phillips	4
25	CHMS702033	6 x 20MM SS Panhead Machine Screw	6
26	ARQPT32L12	DEF Pump 12V	1
27	CFPE04M05B	.75MPT x 1 HB 90	1
28	CFPE04M04B	3/4 MNPT x 3/4 Hose Barb 90	1
29	CFCW003	Clamp For 1" Hose	4
30	CHMS709033	6 X 10MM SS Pan Head Phillips	4
31	CLUEDB015004	DEF Discharge Hose-Wide	1
32	CPA0009	Complete Poly Breather	1
33	CPPE005	DEF Pump switch	1

DIESEL OVERVIEW



DIESEL FUEL BOSS™

PARTS LIST

ITEM NO.	PART #	DESCRIPTION	QTY.
1	AMRDPC	wide lid for DL/DEF	1
2	AZKR0001	DIESEL DEF TANK COVER LATCH REV 4	1
3	AZKR0004	DIESEL DEF TANK NOZZLE BRACKET REV 2	1
4	ARDNA01	Diesel Auto Shut Off Nozzle	1
5	CDHN01	Wide-16 Foot DL discharge hose	1
6	CEBP01	Breather Base	1
7	CEBP01	Breather Top	1
8	CDBF	Foam Filter-Breather	1
9	CDGN02	32x14x4 Breather O-Ring	1
10	CEBP01	Polypropylene Ball for Breather	1
11	CDON04	O-Ring for Breather	1
12	CDLA01	Die Cast DL Lid with Bung	1
13	CDFA01	Die Cast DL Lid Tube	1
14	CDGN01	277 x 4 MM Ribbed DL Gasket	1
15	CHMS050523A	1/2 x 1 Panhead hex drive bolt	1
16	CDGN03	25MM Universal Seal	1
17	CDSA01	Strainer Mesh	1
18	CDF01	DL Mesh Filter & 1" Socket	1
19	CLUOLO07005	1 PVC DL Suction Hose	1
20	ARDPDP01	10GPM 12V DieselFlo Pump	1
21	CFPE04M05B	.75MPT x 1 HB 90	1
22	CFCW003	Clamp For 1" Hose	1
23	CHMZ709025	M6 x 10MM Phillips Lid Tube Bolt	4
24	CDSB01	.75 x .75 DL Swivel	1
25	CHMZ010135	.25 x .375 L Panhead Machine Screw	4
26	CHMS702033	6 x 20MM SS Panhead Machine Screw	6
27	CHMZ011325	.25 x 3 Panhead phillips	2
28	CHWZF015	1/4" Flat Washer	2
29	CHNZN0125	1/4 Nylock nut	2
30	CDCA01	Diesel Cap	1
31	CPA0009	Complete Poly Breather	1
32	CDDP002	DieselFlo Pump switch	1



Enduraplas®

1 (877) 877-4370
cs@enduraplas.com
www.enduraplas.com

113 1st Street, Neche
ND 58265, USA

Order Genuine Enduraplas Parts & Accessories:
parts.enduraplas.com



Watch Instruction Videos:
www.youtube.com/enduraplas

Discover More Helpful Tips:
blog.enduraplas.com/spraying