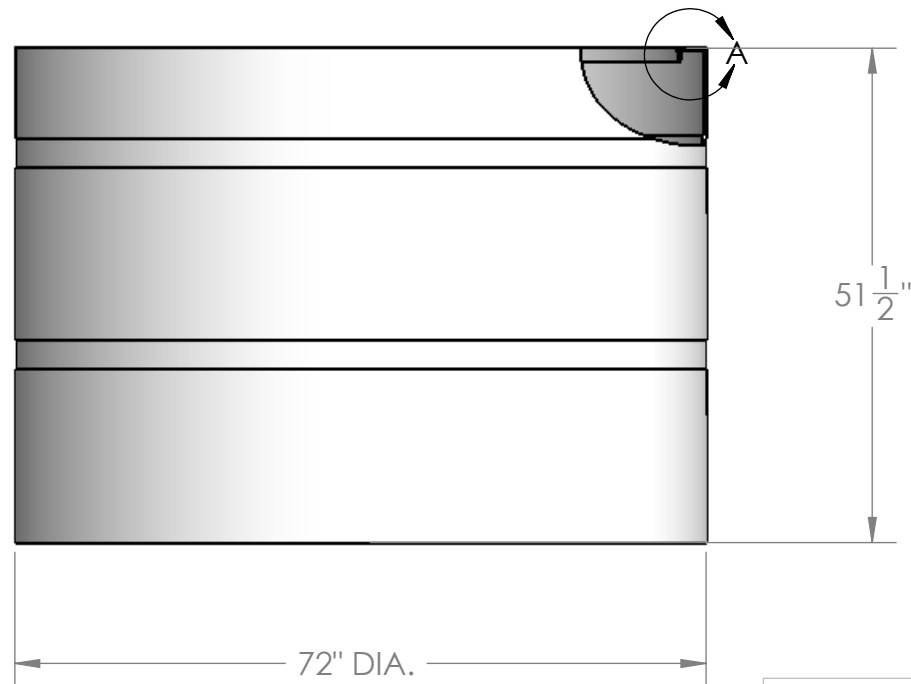
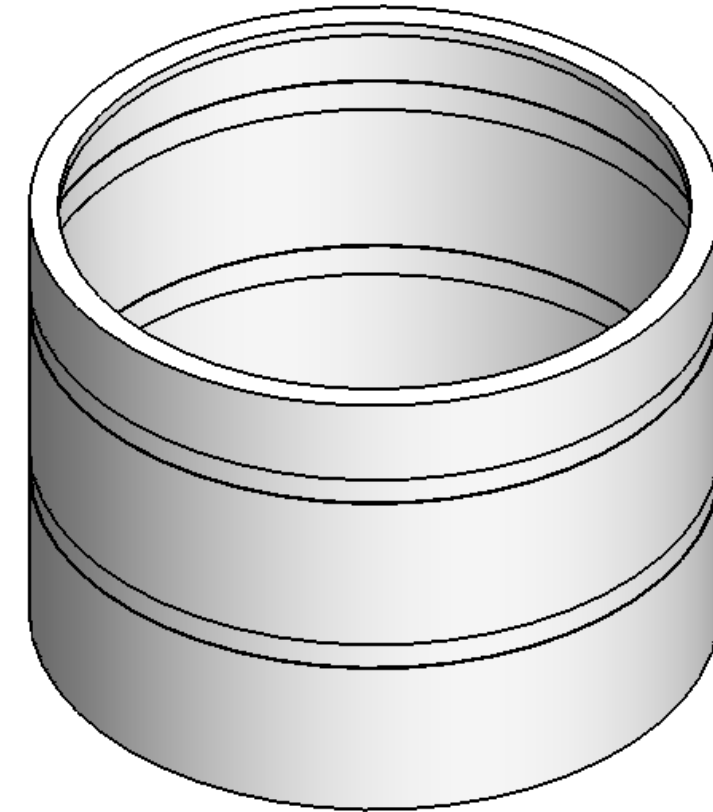


DETAIL A
SCALE 1 : 10



NOTES:

1. MATERIAL: HDPE
2. MOLDED WEIGHT: 120 LBS.

PROPRIETARY AND CONFIDENTIAL
THE INFORMATION CONTAINED IN THIS DRAWING IS THE SOLE PROPERTY OF <INSERT COMPANY NAME HERE>. ANY REPRODUCTION IN PART OR AS A WHOLE WITHOUT THE WRITTEN PERMISSION OF <INSERT COMPANY NAME HERE> IS PROHIBITED.

		UNLESS OTHERWISE SPECIFIED:		NAME	DATE	CUSTOM ROTO-MOLDING, INC.				
		DIMENSIONS ARE IN INCHES		DRAWN	EBW	6/3/09	TITLE: 900 GALLON OPEN TOP TANK			
		TOLERANCES:		CHECKED						
		FRACTIONAL ±		ENG APPR.						
		ANGULAR: MACH ± BEND ±		MFG APPR.						
		TWO PLACE DECIMAL ±		Q.A.			SIZE	DWG. NO.	REV	
		THREE PLACE DECIMAL ±		COMMENTS:			B	900 OTT		
		INTERPRET GEOMETRIC TOLERANCING PER:					SCALE: 1:50		WEIGHT:	SHEET 1 OF 1
		MATERIAL								
		FINISH								
NEXT ASSY	USED ON	DO NOT SCALE DRAWING								
APPLICATION										