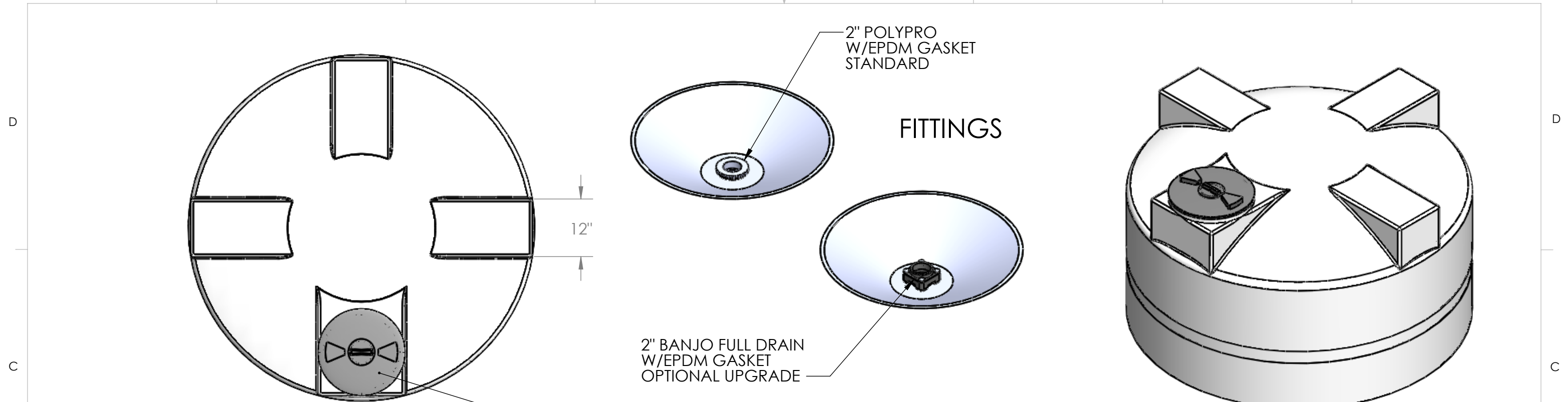


8 7 6 5 4 3 2 1



16" THREADED LID
W/BREATHER

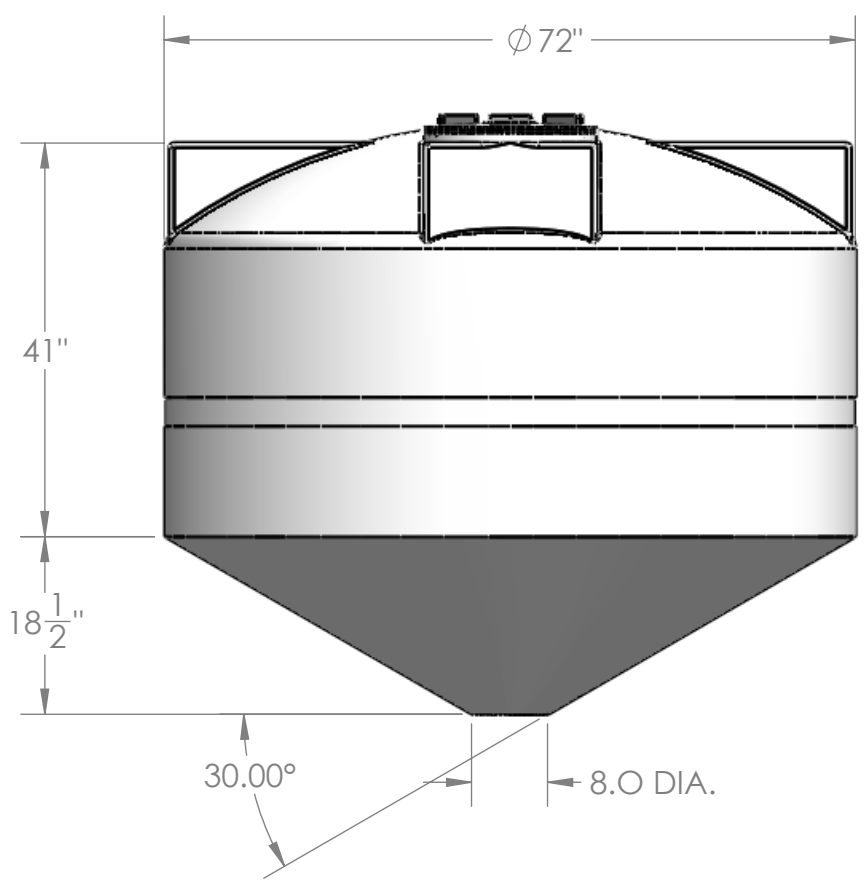
2" POLYPRO
W/EPDM GASKET
STANDARD

FITTINGS

2" BANJO FULL DRAIN
W/EPDM GASKET
OPTIONAL UPGRADE

NOTES:

- 1. MATERIAL: HDPE
- 2. WEIGHT: 150 LBS.
- 3. RATED: 2.0 S.G.



PROPRIETARY AND CONFIDENTIAL
THE INFORMATION CONTAINED IN THIS DRAWING IS THE SOLE PROPERTY OF <INSERT COMPANY NAME HERE>. ANY REPRODUCTION IN PART OR AS A WHOLE WITHOUT THE WRITTEN PERMISSION OF <INSERT COMPANY NAME HERE> IS PROHIBITED.

		UNLESS OTHERWISE SPECIFIED:		NAME	DATE	CUSTOM ROTO-MOLDING, INC.
		DIMENSIONS ARE IN INCHES TOLERANCES: FRACTIONAL ± ANGULAR: MACH ± BEND ± TWO PLACE DECIMAL ± THREE PLACE DECIMAL ±		DRAWN	6-13-12	
		INTERPRET GEOMETRIC TOLERANCING PER:		CHECKED		TITLE:
		MATERIAL		ENG APPR.		750 GALLON CONE BOTTOM TANK
		FINISH		MFG APPR.		
NEXT ASSY	USED ON			Q.A.		SIZE
APPLICATION		DO NOT SCALE DRAWING		COMMENTS:		DWG. NO.
						REV
						SCALE: 1:24
						WEIGHT:
						SHEET 1 OF 1

8 7 6 5 4 3 2 1