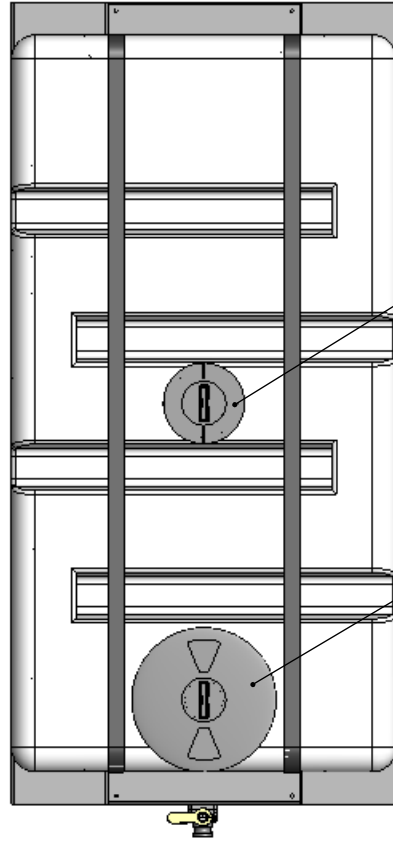


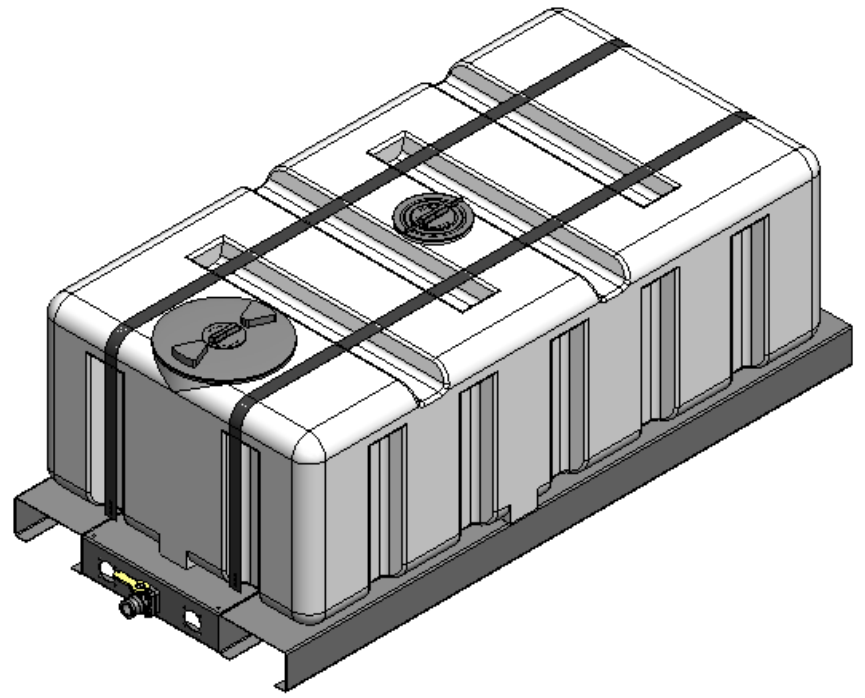
D
C
B
A

D
C
B
A



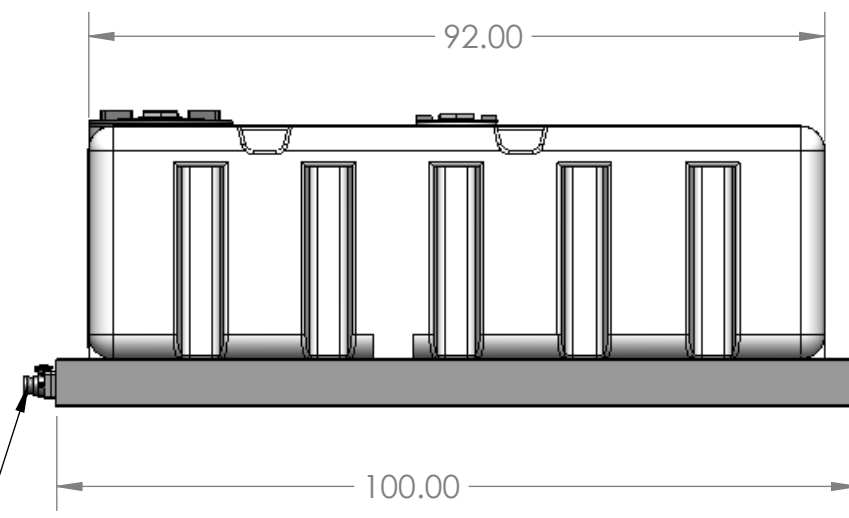
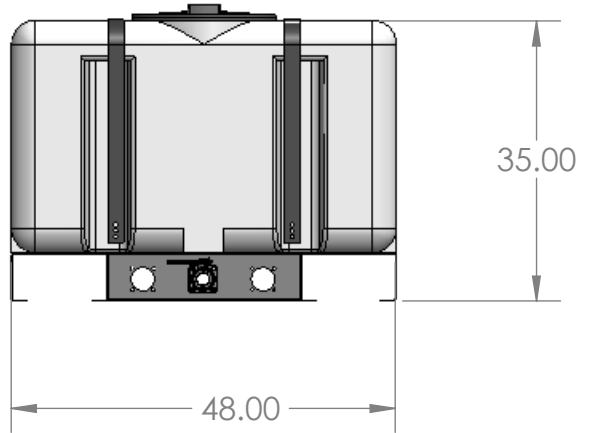
8" THREADED LID STANDARD

16" THREADED LID. OPTIONAL UP-GRADE



NOTES:

1. CAPACITY: 500 GALLONS
2. SHIPPING WT.: 535 LBS.



10 GA. POWDER COATED STEEL SKID.

2" BALL VALVE W/QUICK DISCONNECT

PROPRIETARY AND CONFIDENTIAL
 THE INFORMATION CONTAINED IN THIS DRAWING IS THE SOLE PROPERTY OF <INSERT COMPANY NAME HERE>. ANY REPRODUCTION IN PART OR AS A WHOLE WITHOUT THE WRITTEN PERMISSION OF <INSERT COMPANY NAME HERE> IS PROHIBITED.

		UNLESS OTHERWISE SPECIFIED:	NAME	DATE			
		DIMENSIONS ARE IN INCHES	DRAWN	EBW 4-29-13			
		TOLERANCES:	CHECKED				
		FRACTIONAL ±	ENG APPR.				
		ANGULAR: MACH ± BEND ±	MFG APPR.				
		TWO PLACE DECIMAL ±	Q.A.		TITLE:		
		THREE PLACE DECIMAL ±	COMMENTS:		500 GALLON RECTANGULAR TANK WITH SKID ASSY.		
		INTERPRET GEOMETRIC TOLERANCING PER:			SIZE	DWG. NO.	REV
		MATERIAL			B	500 RTSA	
NEXT ASSY	USED ON	FINISH			SCALE: 1:24 WEIGHT: SHEET 1 OF 1		
APPLICATION		DO NOT SCALE DRAWING					