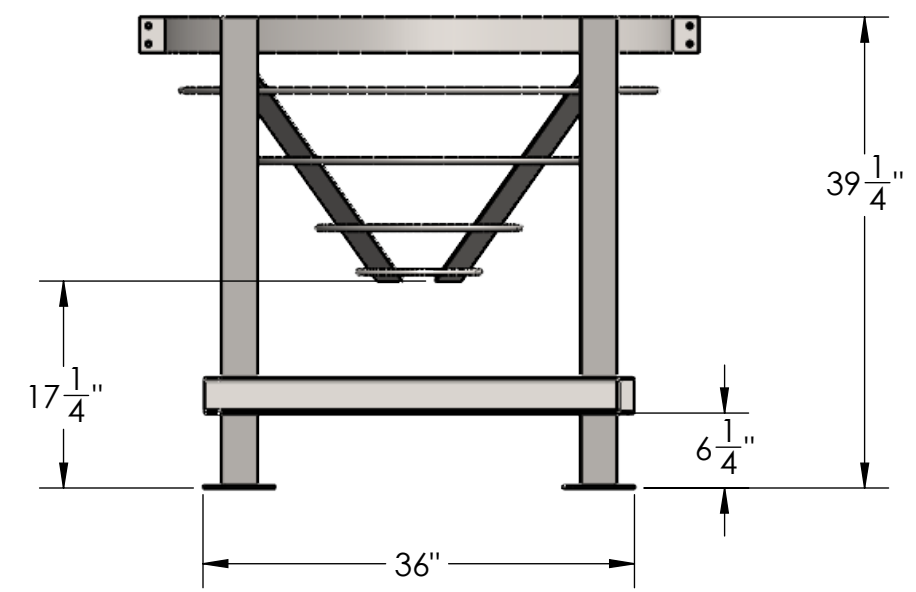
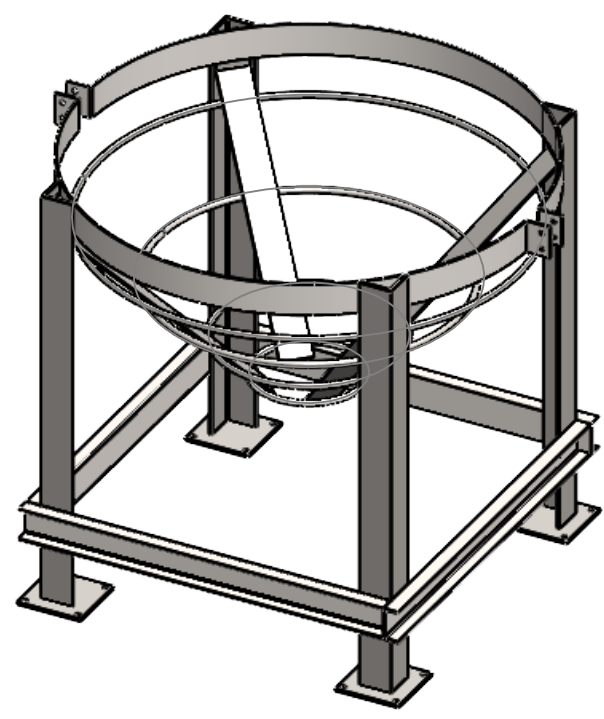
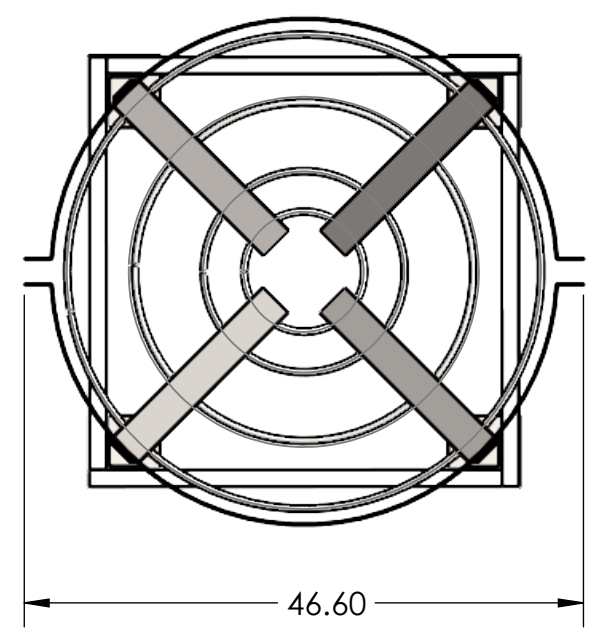


D
C
B
A

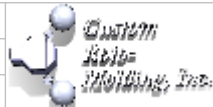
D
C
B
A



NOTES:

- 1. MATERIAL: HRS.
- 2. COLOR: PAINTED BLACK
- 3. WEIGHT: 153 LBS
- 4. CONE 45 DEG.

PROPRIETARY AND CONFIDENTIAL
 THE INFORMATION CONTAINED IN THIS DRAWING IS THE SOLE PROPERTY OF <INSERT COMPANY NAME HERE>. ANY REPRODUCTION IN PART OR AS A WHOLE WITHOUT THE WRITTEN PERMISSION OF <INSERT COMPANY NAME HERE> IS PROHIBITED.

		UNLESS OTHERWISE SPECIFIED:	NAME	DATE		
		DIMENSIONS ARE IN INCHES	DRAWN	EBW		8/14/23
		TOLERANCES:	CHECKED			
		FRACTIONAL ±	ENG APPR.			
		ANGULAR: MACH ± BEND ±	MFG APPR.			
		TWO PLACE DECIMAL ±	Q.A.			
		THREE PLACE DECIMAL ±	COMMENTS:			
		INTERPRET GEOMETRIC TOLERANCING PER:				
		MATERIAL				
NEXT ASSY	USED ON	FINISH	TITLE: 42 CBS ASSY.			
APPLICATION		DO NOT SCALE DRAWING	SIZE	DWG. NO.	REV	
			B			
			SCALE: 1:16	WEIGHT:	SHEET 1 OF 1	