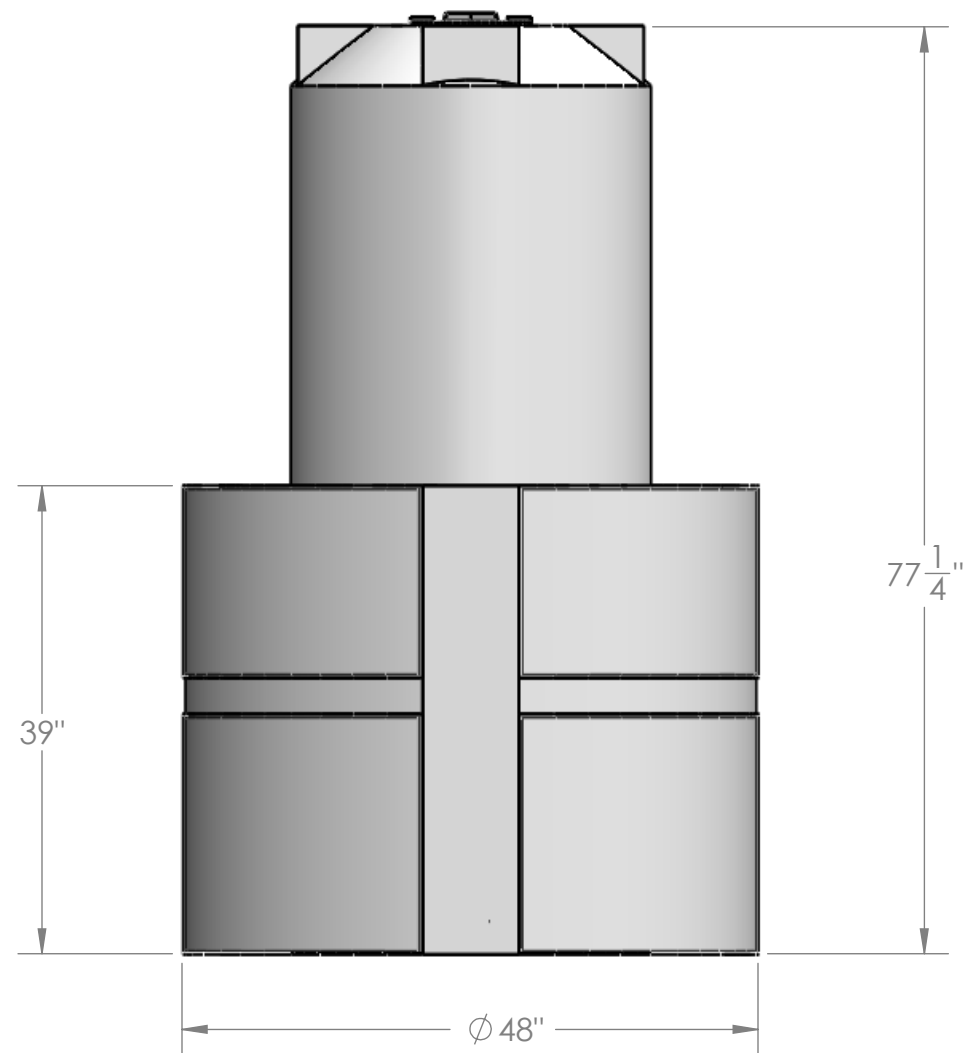
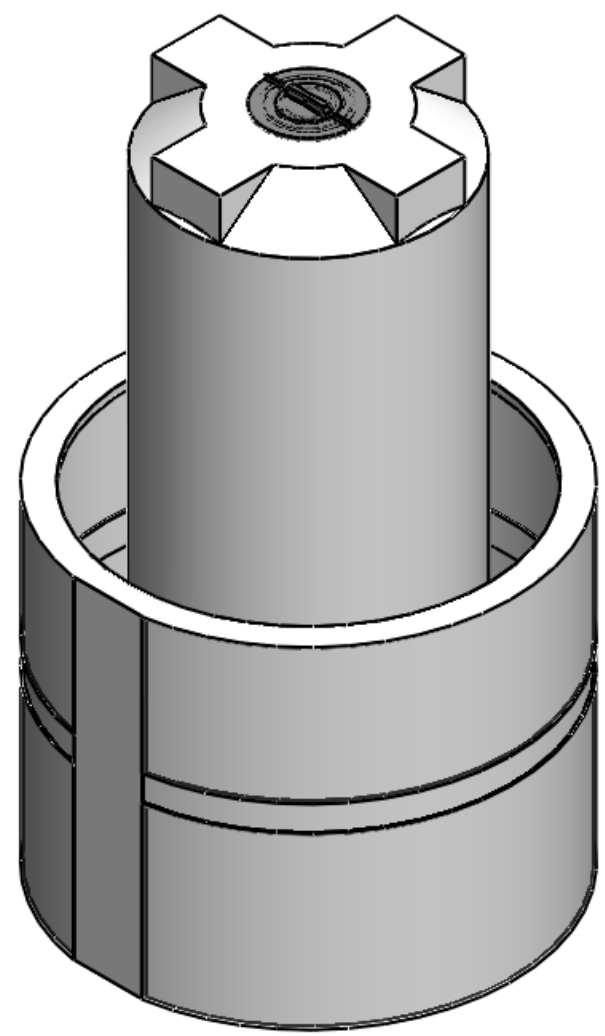
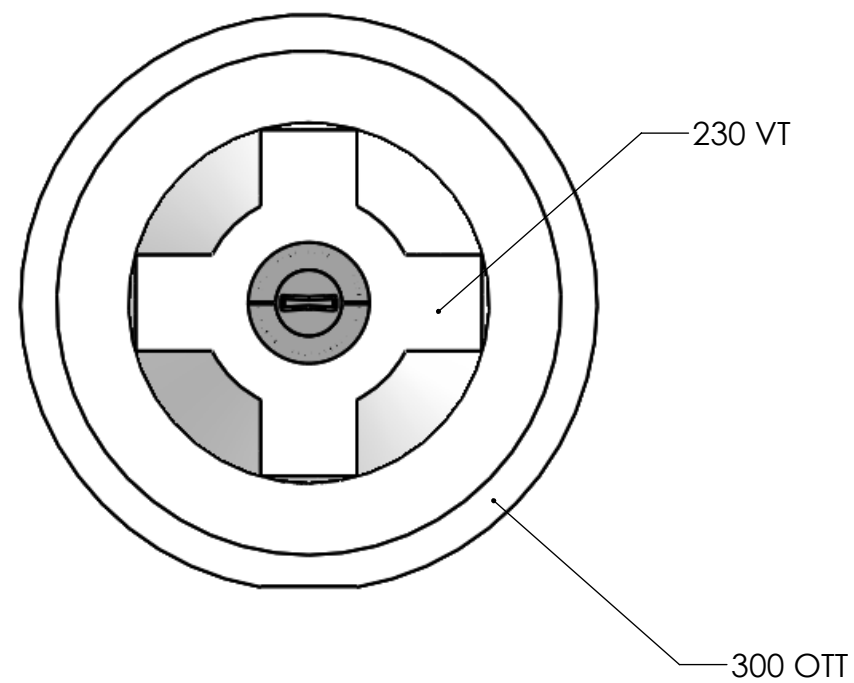


8 7 6 5 4 3 2 1

D
C
B
A



NOTES:

1. MATERIAL: HDPE
2. PRIMARY TANK: STD. = 2.0 S.G. 65 LBS
3. CONTAINMENT: STD. = 2.0 S.G. 60 LBS
4. SHIPPING WEIGHT: 125 LBS.

PROPRIETARY AND CONFIDENTIAL
 THE INFORMATION CONTAINED IN THIS DRAWING IS THE SOLE PROPERTY OF <INSERT COMPANY NAME HERE>. ANY REPRODUCTION IN PART OR AS A WHOLE WITHOUT THE WRITTEN PERMISSION OF <INSERT COMPANY NAME HERE> IS PROHIBITED.

		UNLESS OTHERWISE SPECIFIED:	NAME	DATE	CUSTOM ROTO-MOLDING, INC.		
		DIMENSIONS ARE IN INCHES	DRAWN	EBW		10-22-10	
		TOLERANCES:	CHECKED		TITLE:		
		FRACTIONAL ±	ENG APPR.		230 VT - 300 OTT		
		ANGULAR: MACH ± BEND ±	MFG APPR.				
		TWO PLACE DECIMAL ±	Q.A.		SIZE	DWG. NO.	REV
		THREE PLACE DECIMAL ±	COMMENTS:		B	230 VTWC	
		INTERPRET GEOMETRIC TOLERANCING PER:			SCALE: 1:24	WEIGHT:	SHEET 1 OF 1
		MATERIAL					
NEXT ASSY	USED ON	FINISH					
APPLICATION		DO NOT SCALE DRAWING					

8 7 6 5 4 3 2 1