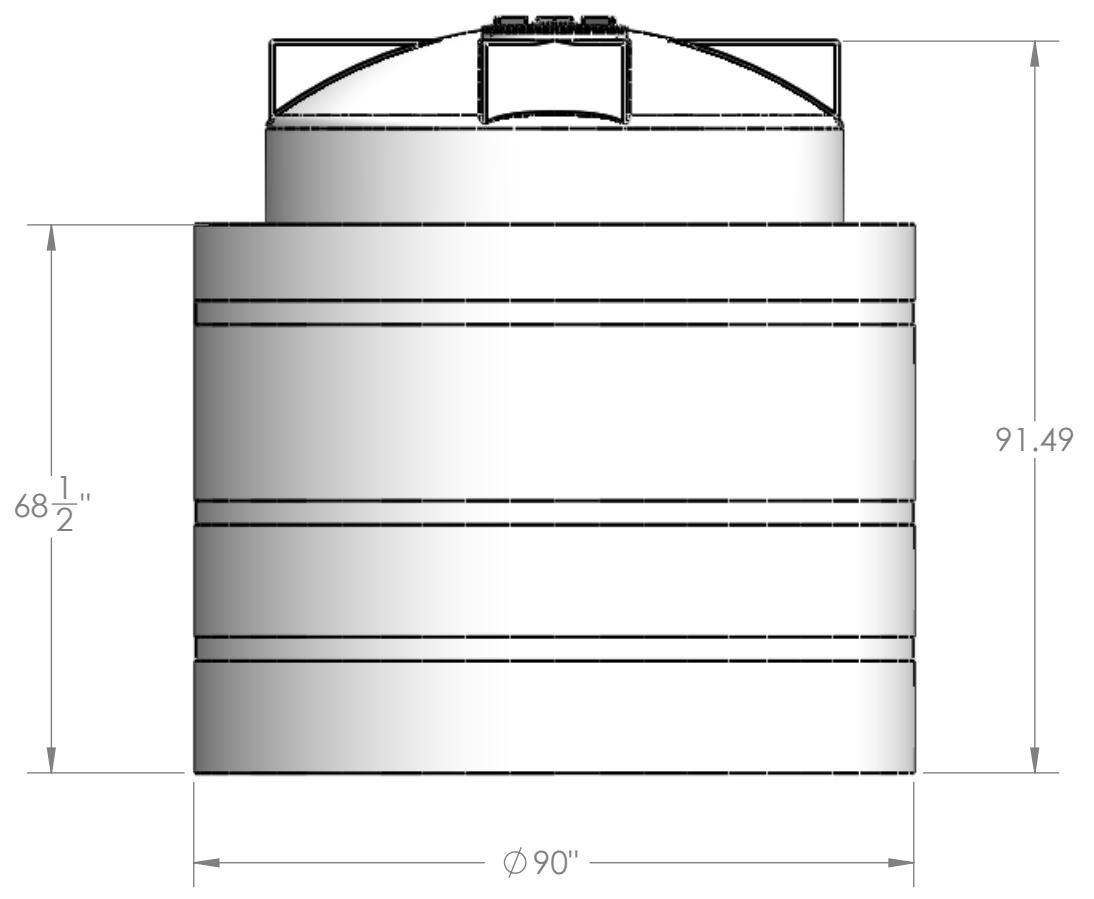
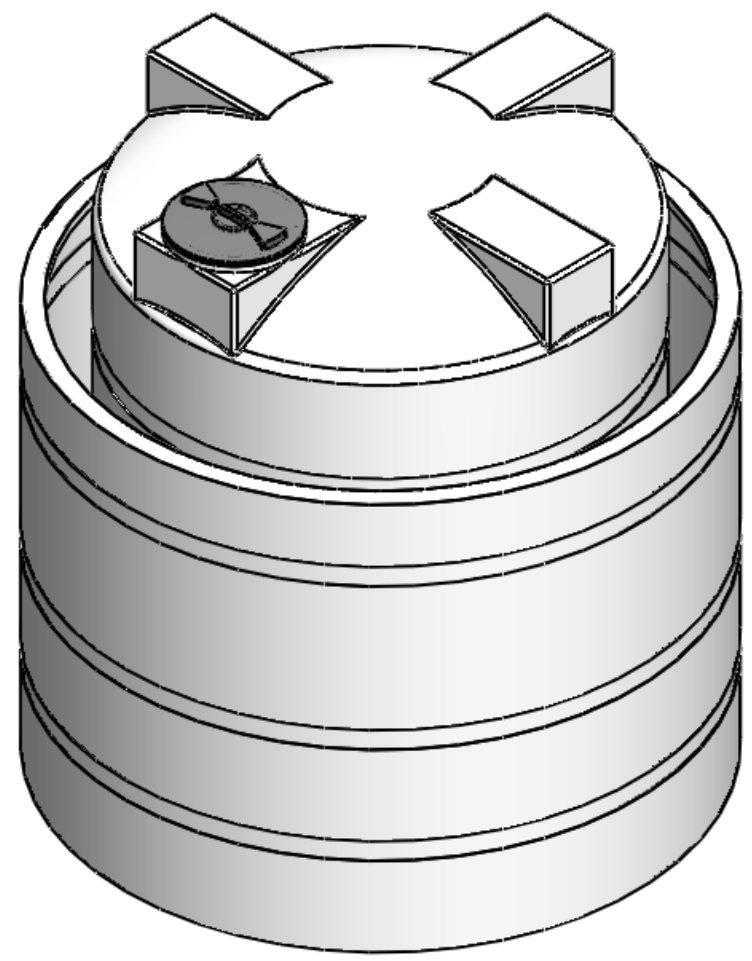
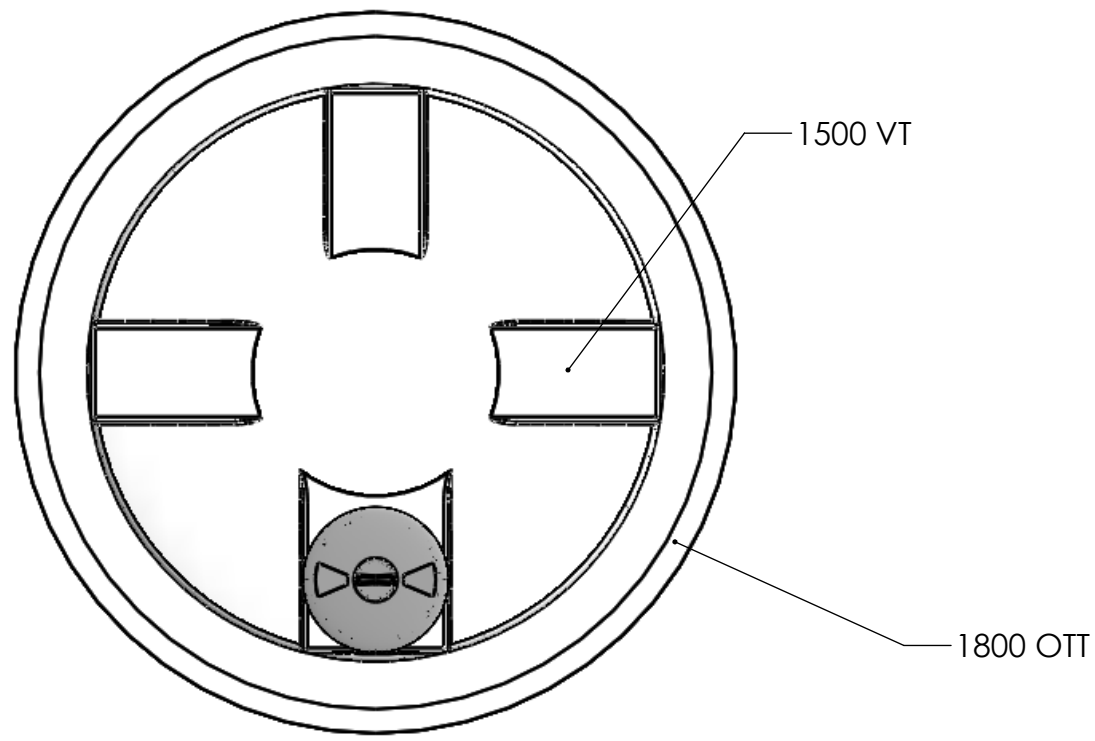


8 7 6 5 4 3 2 1

D
C
B
A



- NOTES:
1. MATERIAL: HDPE
 2. PRIMARY TANK: STD = 1.5 S.G.
 3. CONTAINMENT: STD = 1.5 S.G.
 4. SHIPPING WEIGHT: 620 LBS.

PROPRIETARY AND CONFIDENTIAL
 THE INFORMATION CONTAINED IN THIS DRAWING IS THE SOLE PROPERTY OF <INSERT COMPANY NAME HERE>. ANY REPRODUCTION IN PART OR AS A WHOLE WITHOUT THE WRITTEN PERMISSION OF <INSERT COMPANY NAME HERE> IS PROHIBITED.

		UNLESS OTHERWISE SPECIFIED:		NAME	DATE	CUSTOM ROTO-MOLDING, INC.	
		DIMENSIONS ARE IN INCHES		DRAWN	EBW	10-22-10	
		TOLERANCES:		CHECKED			TITLE:
		FRACTIONAL ±		ENG APPR.			1500 VT - 1800 OTT
		ANGULAR: MACH ± BEND ±		MFG APPR.			
		TWO PLACE DECIMAL ±		Q.A.			
		THREE PLACE DECIMAL ±		COMMENTS:			
		INTERPRET GEOMETRIC TOLERANCING PER:					
		MATERIAL					
		FINISH					
NEXT ASSY	USED ON	APPLICATION		DO NOT SCALE DRAWING			
				SIZE	DWG. NO.	REV	
				B	1500 VTWC		
				SCALE: 1:32	WEIGHT:	SHEET 1 OF 1	

8 7 6 5 4 3 2 1