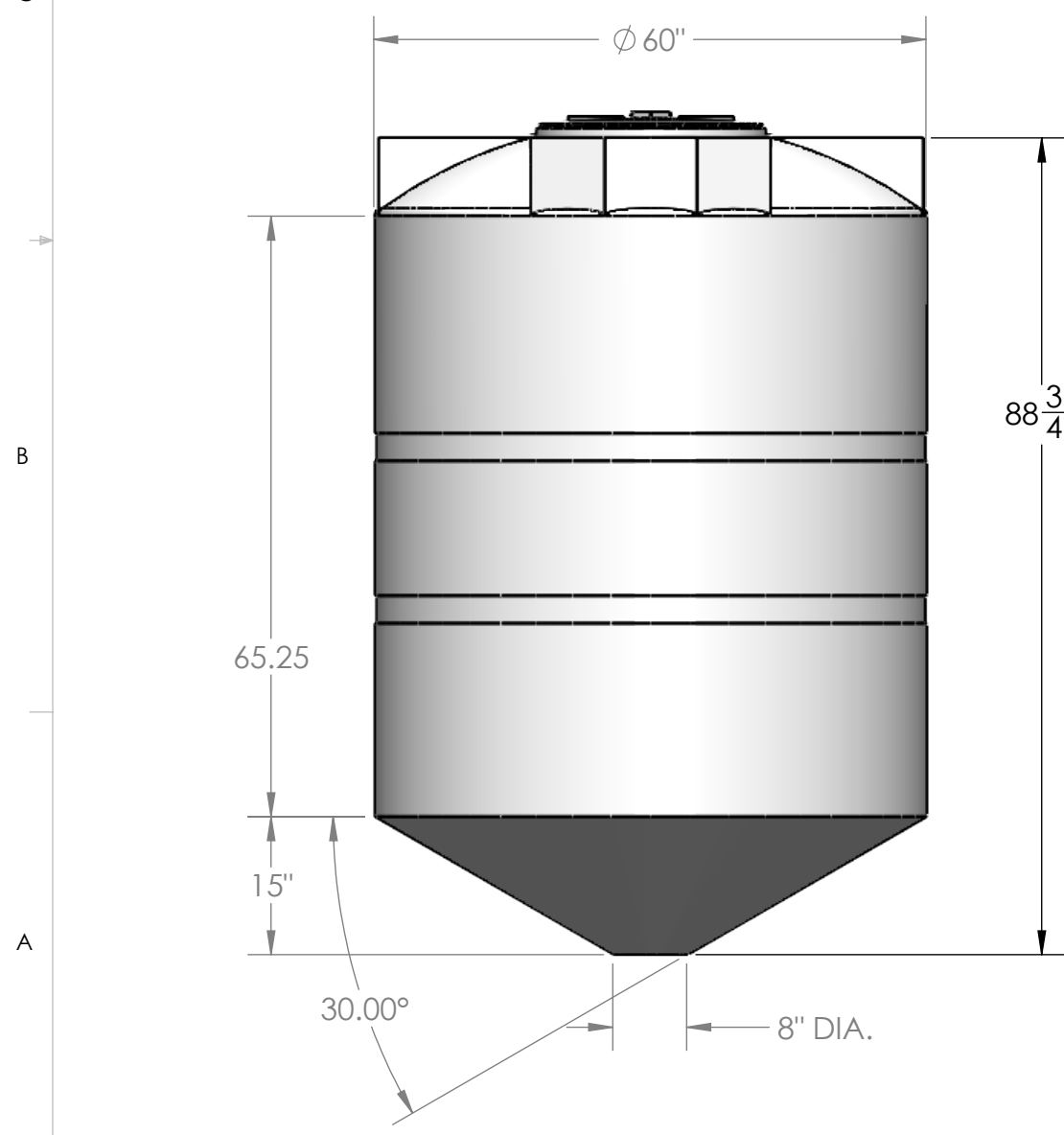
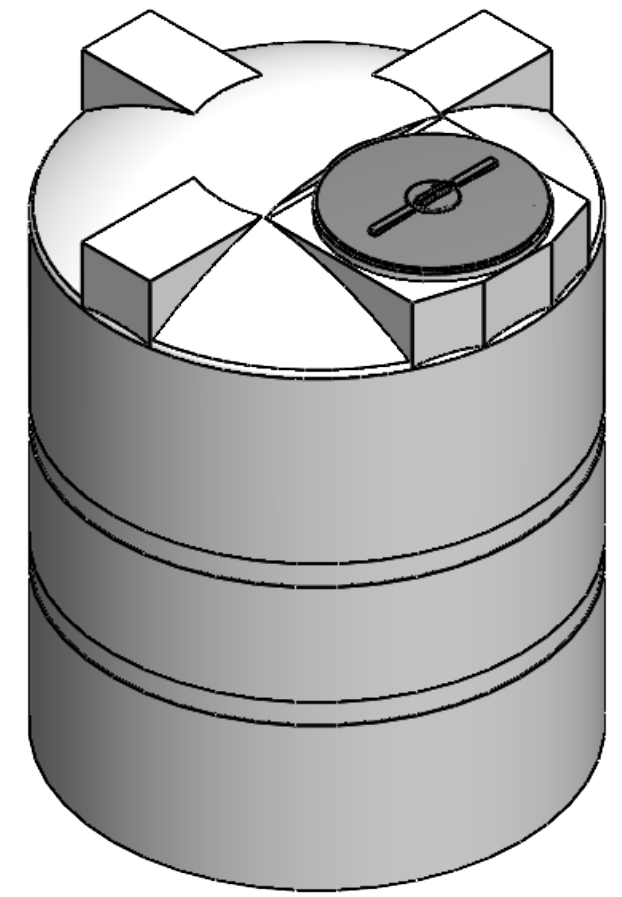
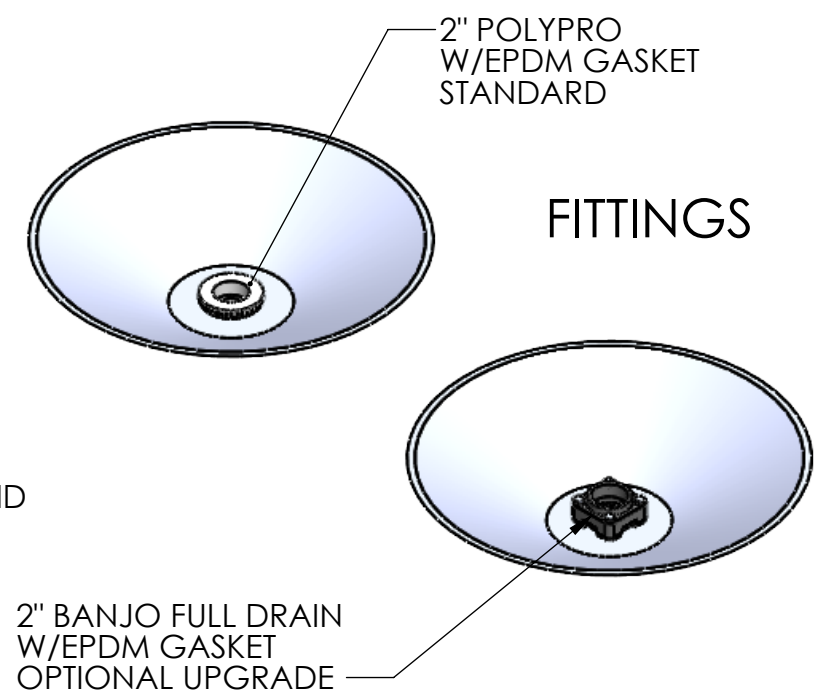
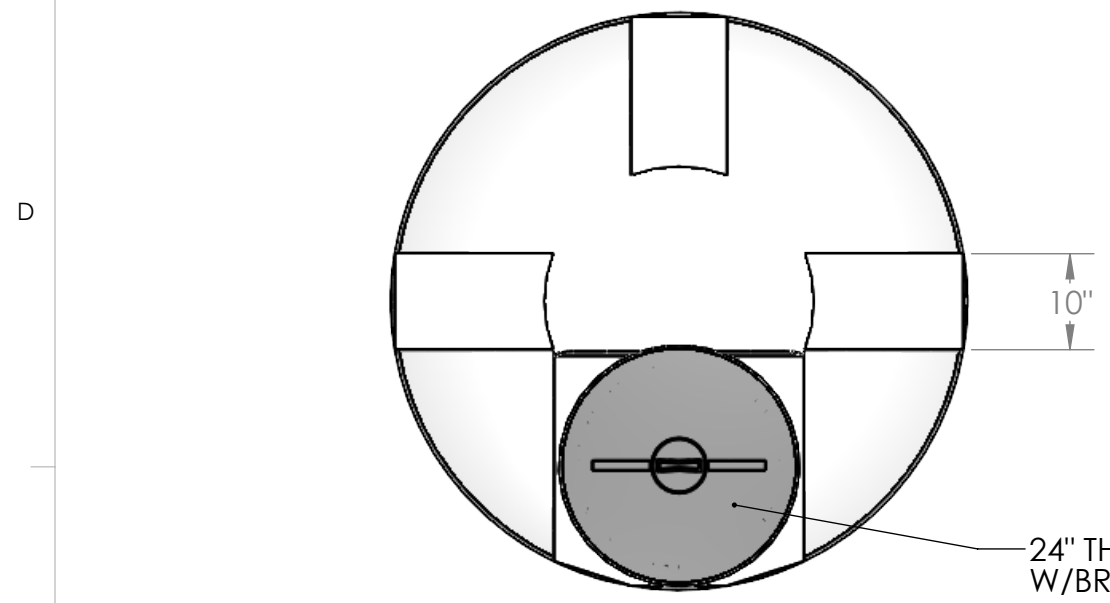


8 7 6 5 4 3 2 1



NOTES:

1. MATERIAL: HDPE
2. WEIGHT: 214 LBS.
3. RATED 2.0 S.G.

PROPRIETARY AND CONFIDENTIAL
 THE INFORMATION CONTAINED IN THIS DRAWING IS THE SOLE PROPERTY OF <INSERT COMPANY NAME HERE>. ANY REPRODUCTION IN PART OR AS A WHOLE WITHOUT THE WRITTEN PERMISSION OF <INSERT COMPANY NAME HERE> IS PROHIBITED.

		UNLESS OTHERWISE SPECIFIED:		NAME	DATE	CUSTOM ROTO-MOLDING, INC.		
		DIMENSIONS ARE IN INCHES TOLERANCES: FRACTIONAL ± ANGULAR: MACH ± BEND ± TWO PLACE DECIMAL ± THREE PLACE DECIMAL ±		DRAWN	6-20-12			
		INTERPRET GEOMETRIC TOLERANCING PER:		CHECKED		TITLE: 900 GALLON CONE BOTTOM TANK		
		MATERIAL		ENG APPR.				
		FINISH		MFG APPR.		SIZE	DWG. NO.	REV
NEXT ASSY	USED ON	DO NOT SCALE DRAWING		Q.A.		B	900 CB	
APPLICATION				COMMENTS:		SCALE: 1:32	WEIGHT:	SHEET 1 OF 1

8 7 6 5 4 3 2 1