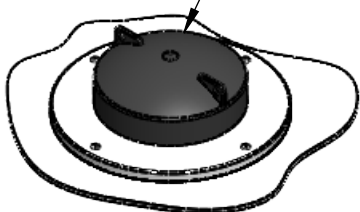
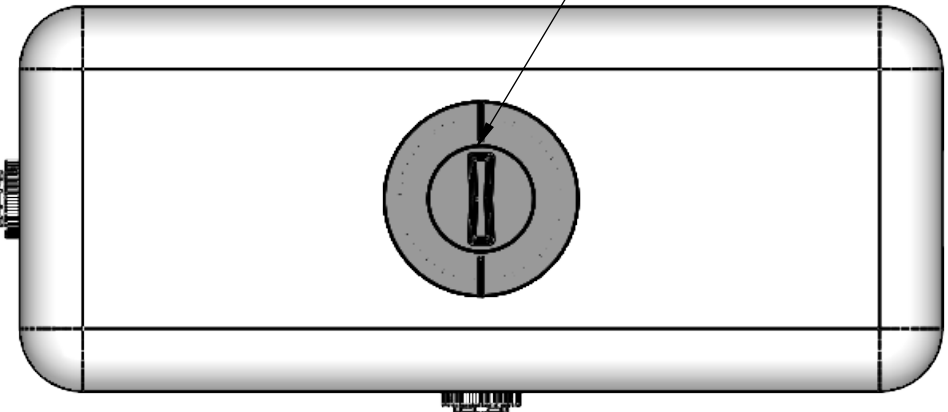


8 7 6 5 4 3 2 1

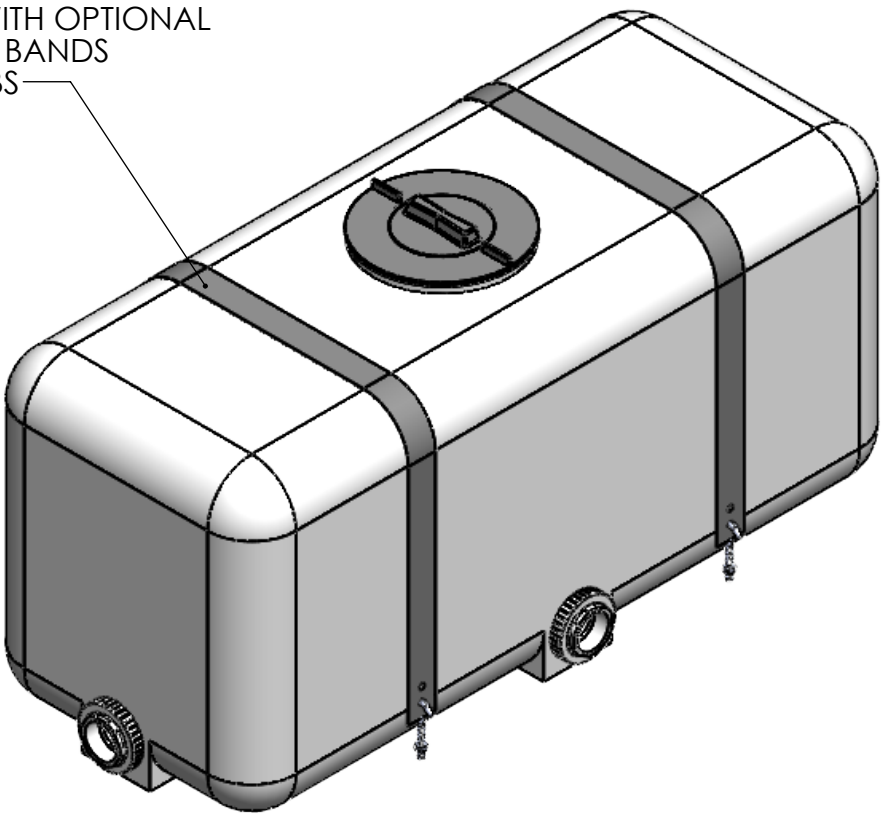
5" THREADED CAP
OPTION
P/N: 5 CNA



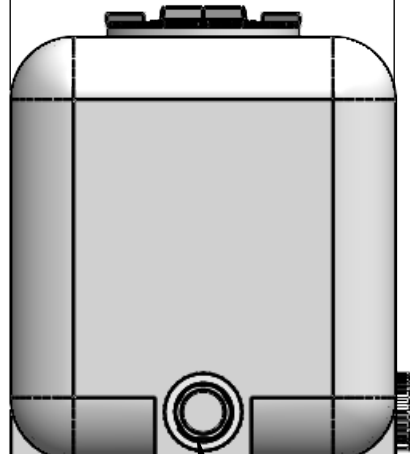
8" THREADED LID
W/BREATHER



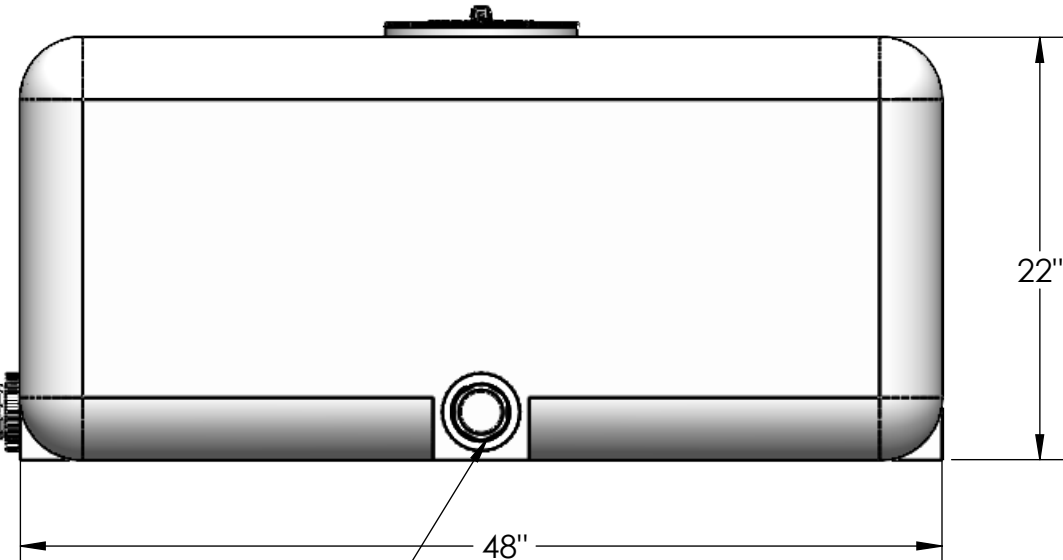
SHOWN WITH OPTIONAL
TIE DOWN BANDS
P/N 75 RTBS



20"



22"



48"

NOTES:

- 1. MATERIAL: HDPE
- 2. WEIGHT: 40 LBS.
- 3. CAPACITY: 75 GALLONS.
- 4. SPECIFY SHORT OR LONG SIDE FOR FITTING PLACEMENT


2" POLYPRO
INSTALLED SHORT SIDE



2" POLYPRO
INSTALLED LONG SIDE



PROPRIETARY AND CONFIDENTIAL
THE INFORMATION CONTAINED IN THIS DRAWING IS THE SOLE PROPERTY OF <INSERT COMPANY NAME HERE>. ANY REPRODUCTION IN PART OR AS A WHOLE WITHOUT THE WRITTEN PERMISSION OF <INSERT COMPANY NAME HERE> IS PROHIBITED.

		UNLESS OTHERWISE SPECIFIED:		NAME	DATE	 TITLE: 75 GALLON RECTANGULAR TANK
		DIMENSIONS ARE IN INCHES TOLERANCES: FRACTIONAL ± ANGULAR: MACH ± BEND ± TWO PLACE DECIMAL ± THREE PLACE DECIMAL ±		DRAWN	1-30-13	
		INTERPRET GEOMETRIC TOLERANCING PER:		CHECKED		
		MATERIAL		ENG APPR.		
		FINISH		MFG APPR.		
NEXT ASSY	USED ON			Q.A.		SIZE DWG. NO. REV B 75 RT
APPLICATION		DO NOT SCALE DRAWING		COMMENTS:		
				SCALE: 1:12 WEIGHT:		SHEET 1 OF 1

8 7 6 5 4 3 2 1