

D

C

B

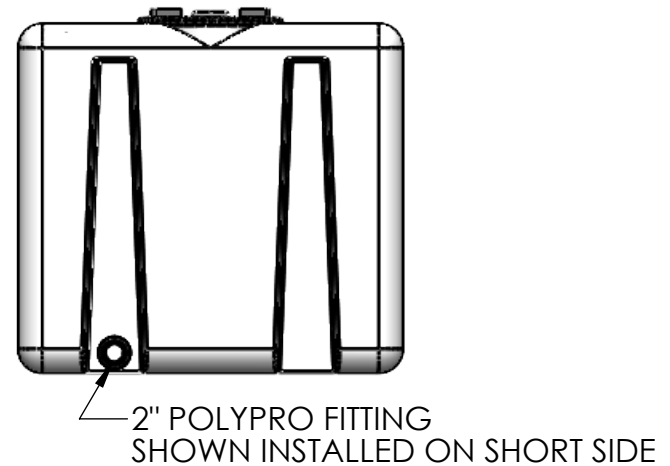
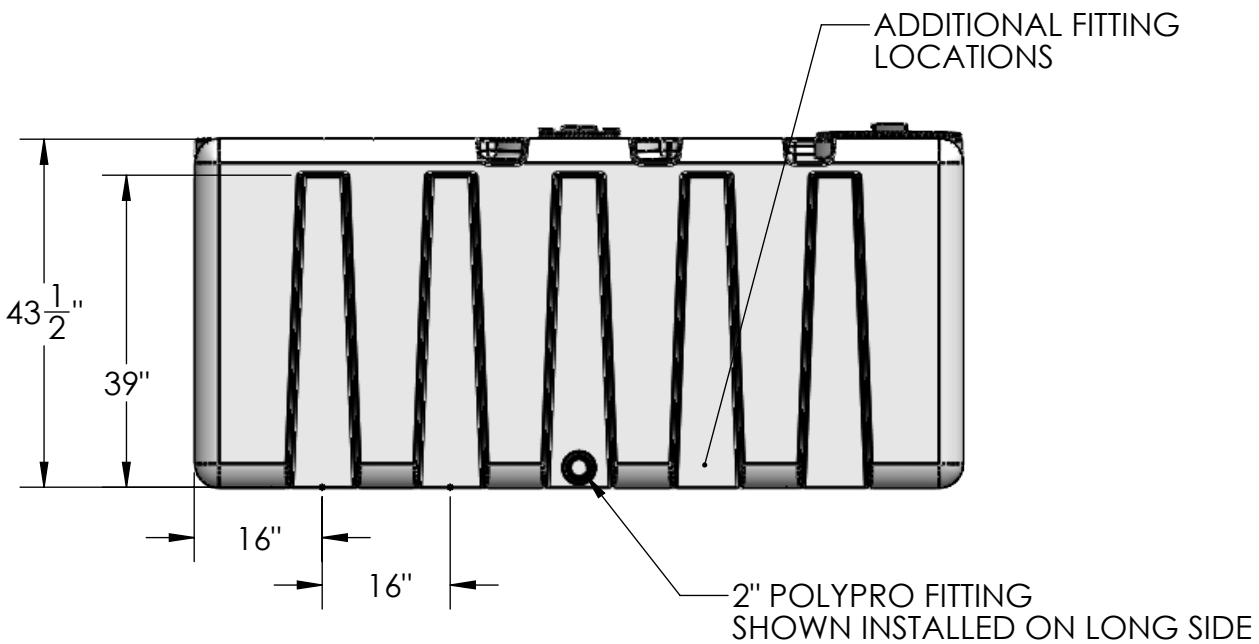
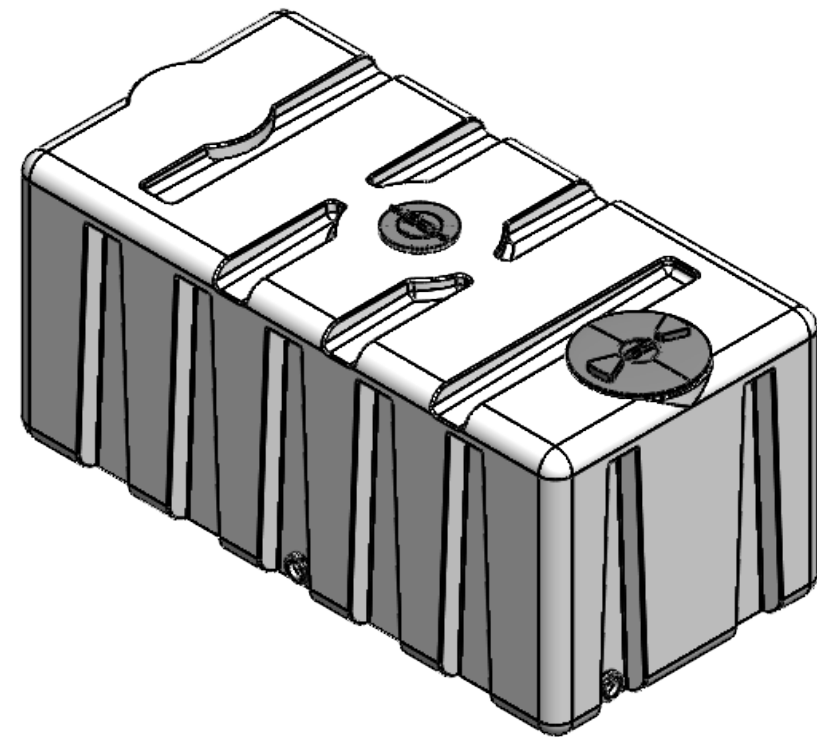
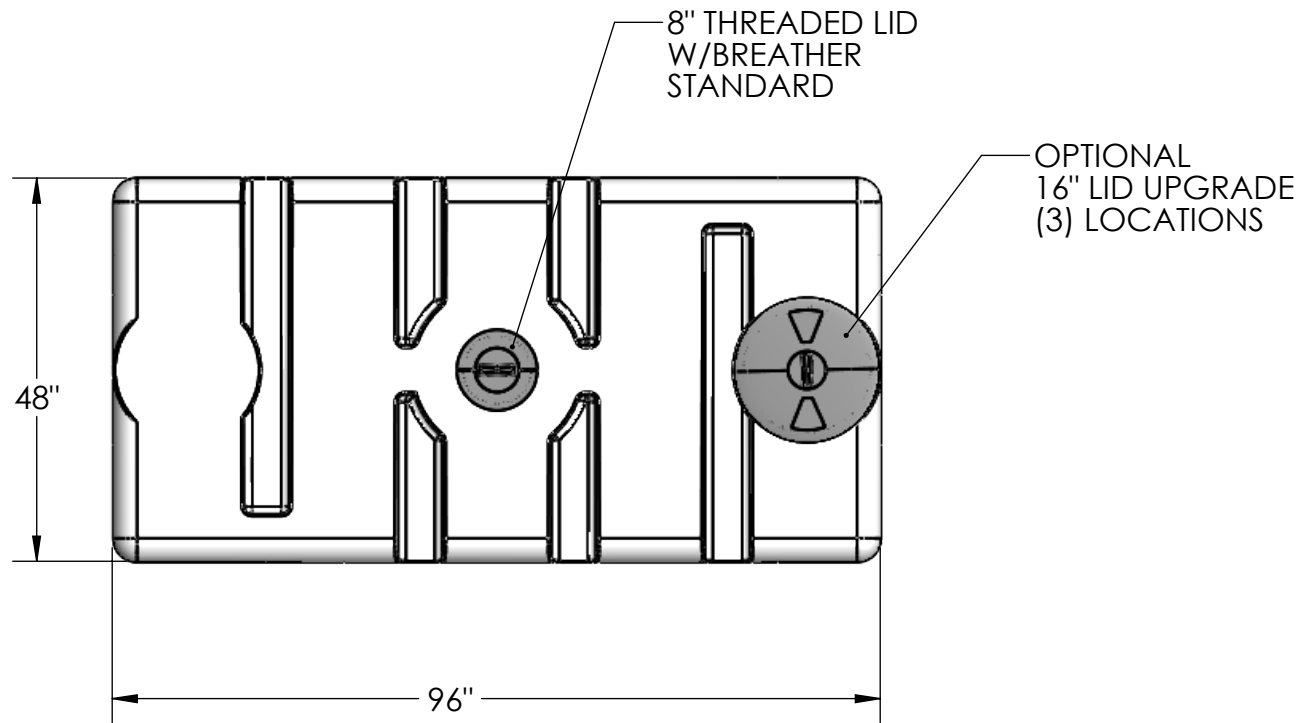
A

D

C

B

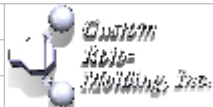
A

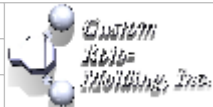


NOTES:

- 1. MATERIAL: HDPE
- 2. WEIGHT: 325 LBS.
- 3. SPECIFY SHORT OR LONG SIDE FOR FITTING PLACEMENT.

PROPRIETARY AND CONFIDENTIAL
 THE INFORMATION CONTAINED IN THIS DRAWING IS THE SOLE PROPERTY OF <INSERT COMPANY NAME HERE>. ANY REPRODUCTION IN PART OR AS A WHOLE WITHOUT THE WRITTEN PERMISSION OF <INSERT COMPANY NAME HERE> IS PROHIBITED.

		UNLESS OTHERWISE SPECIFIED:		NAME	DATE
		DIMENSIONS ARE IN INCHES		DRAWN	EBW 8/21/25
		TOLERANCES:		CHECKED	
		FRACTIONAL ±		ENG APPR.	
		ANGULAR: MACH ± BEND ±		MFG APPR.	
		TWO PLACE DECIMAL ±		Q.A.	
		THREE PLACE DECIMAL ±		COMMENTS:	
		INTERPRET GEOMETRIC TOLERANCING PER:		 TITLE: 750 GALLON RECTANGULAR TANK	
		MATERIAL			
NEXT ASSY	USED ON	FINISH		SIZE	DWG. NO.
APPLICATION		DO NOT SCALE DRAWING		B	750 RT
				SCALE: 1:24	WEIGHT:
				SHEET 1 OF 1	



TITLE:
750 GALLON RECTANGULAR TANK

SIZE DWG. NO. REV
B 750 RT

SCALE: 1:24 WEIGHT: SHEET 1 OF 1